



企业简介: Brief Introduction

张家港爱斯诺机械密封有限公司主要从事流体机械的研发,生产和销售。

公司拥有高素质的技术和管理人才,与密封领域专家,院校,研究所保持密切合作与联系,多名技术人员在流体机械行业拥有数十年工作经验。

公司在进口机械密封国产化方面具有丰富的经验,产品范围包括弹簧式机械密封,波纹管机械密封,集装式机械密封,大型搅拌器机械密封,干气密封和剖分式机械密封,同时公司销售碳化硅,硬质合金,石墨和陶瓷等制品。

本公司历年来注重以高质量的产品,良好的服务以及具有竞争力的价格和稳定及时的交货期不断开拓国内和国际市场,用户遍及国内众多知名石化,发电,化工,造纸,制药等行业。

公司产品畅销国际市场,业务遍及世界四十余个国家与地区,期待成为您的长期合作伙伴!

Asinoseal is mainly engaged in R&D,production and sales of fluid machinery products. The company has highly qualified technical and management personnels and maintains close cooperation with sealing field experts from famous brand companies, universities and research institutes. A large number of our technical personnels have decades of experience in the fluid machinery industry.

We have extensive experience in the imported mechanical seals localization.Our product range includes Component Seals,Metal Bellow Seals,Cartridge Seals,Agitator seals,Dry Gas Seals and Split Seals.Silicone Carbide,Tungsten Carbide,Graphite and Ceramic products are also available.

To develop domestic and international markets,Asinoseal focuses on high quality products,good service,competitive prices and prompt delivery over the years.Our clients include many well-known companies in the field of Gas and Oil,Powerstations,Chemical,Pulp and Paper,Food and Pharma,Marine and etc...

Asinoseal's products spread all around the world ,with business partners in more than 40 countries and regions,eager to establish long-term business relationship with you soon.

For more details,pls feel free to contact us!

Office:86-512-58227959 Fax: 86-512-58228759
No.265 South Chang'An Rd,Zhangjiagang,China

1

Tel: +86-512 58227959 Fax:+86-512 58228759 Email: sales@asinoseal.com

ASINO-SEAL

Mechanical seal

厂房概况

Production line Introduction



ASINO-SEAL

Mechanical seal

生产设备及检测仪器

Testing Apparatuses and Production Machines



ASINO-SEAL

Mechanical seal

办公楼概况

Show-around of the office building



CATALOG FOR CROSS REFERENCE

Seat Series

	AES	VULCAN	Burgmann	CRANE	Roten	Sterling	Flowserve	Pages
AS-S06/S606	S03	8.DINS	<u>G6/G606</u>	BS		SM32DINS	8S	1
AS-S04	S01	8.STD	<u>G4</u>					1
AS-SBO	S06	24.DINS		<u>BO</u>		522DINS	4S	2
AS-SBS	S03	8.DINS	G6	<u>BS</u>		SM32DINS	8S	2
AS-S13			<u>G13</u>					3
AS-S12		<u>12</u>						3
AS-S12D		<u>12DIN</u>						4
AS-SBC				<u>BC</u>				4
AS-S09/S092	S02	8.DINL	<u>G9/G92</u>			SM32DINL	8L	5
AS-S16			<u>G16</u>					5
AS-S24L	S05	<u>24.DINL</u>				522DINL	4L	6
AS-SBD	S010			<u>BD</u>				6
AS-SPG				<u>PG</u>				7
AS-ORSA	S07/S070	21		W TYPE	W		1H	7
AS-ORSE	S07/S070	31		W TYPE	W		1H	8
AS-S60			<u>G60</u>					8
AS-S20		<u>20</u>						9
AS-S24		<u>24</u>						9
AS-S11		<u>11</u>						10
AS-S210				<u>2100</u>				10
AS-SBP	S010			<u>BP</u>				11
AS-SAG				<u>AG</u>				11
AS-SV	S08/S080	25		<u>V</u>	V	T		12
AS-S27		<u>27</u>						12

Component seals

O ring mechanical seals

	AES	VULCAN	Burgmann	CRANE	Roten	Sterling	Flowserve	Pages
AS-R155			<u>BT-FN</u>					13
AS-R3N			<u>M3N</u>					14
AS-R37G			<u>M37/M37G</u>					15
AS-R8-1	M01S	1609S		<u>8-1</u>		290S		16
AS-R8-1T	M05S	1645S		<u>8-1T</u>		294S		17
AS-R8B1	M02S	1609BS		<u>8B1</u>		290BS		18
AS-R8B1T				<u>8B1T</u>				19
AS-R58B	M04S	1659BS	BT-C5.KB	<u>58B</u>		259BS		20
AS-R58U	M03S	1659S	BT-C5.KU	<u>58U</u>		259S		21
AS-RW01	<u>W01</u>	1688		80(DF/FP)	7K	280	168	22
AS-R92N	M010		<u>HJ92N</u>		EHS			23
AS-R7N			<u>M7N</u>					24
AS-RH7N			<u>H7N</u>					25
AS-R74D			<u>M74-D</u>					26
AS-RH74D			<u>H74-D</u>					27
AS-RO-A							<u>RO</u>	28
AS-RO-B							<u>RO</u>	29
AS-R1527			<u>Eagle 1527</u>					30

Elastomer bellow mechanical seals

	AES	VULCAN	Burgmann	CRANE	Roten	Sterling	Flowserve	Pages
AS-E01	P05U	A5	MG901/D1-G55	<u>1(US)</u>			51	31
AS-E01A				<u>1A</u>				32
AS-E01B				<u>1B</u>				33
AS-E02	P04U	A4		<u>2(US)</u>			52	34
AS-E20&E20T	P02/P02T	20	MG920/D1-G50	2(N SEAT)	<u>21</u>	212	200	35

Elastomer bellow mechanical seals

	AES	VULCAN	Burgmann	CRANE	Roten	Sterling	Flowserve	Pages
AS-E21&E21T	P04/P04T	11		21	21A	212A	110	36
AS-E24	P03	24	MG912/D1-G60	521	52/L4K	522	240	37
AS-E560			EA560(A)					38
AS-EBIA								39
AS-E210	B05	14DIN		2100		540	140	40
AS-EMG	B02/B012/B01	19/192/193	MG1/12/13/S20		L3/L3K/L3	SMG1/12/1	190/192/193	41
AS-E502	B07	1724		502		524		42
AS-E10R&10T				10R&10T				43
AS-EWB2				WB2				44

PTFE Wedge Mechanical seals

	AES	VULCAN	Burgmann	CRANE	Roten	Sterling	Flowserve	Pages
AS-P09	M01	1609		9	90	290		45
AS-P09B	M02	1609B		9B		290B		46
AS-P09T	M05	1645		9T		294		47
AS-P09BT	M06	1645B		9BT		294B		48
AS-P59B	M04	1659B	BT-C56.KB	59B		259B		49
AS-P59U	M03	1659	BT-C56.KU	59U		259		50

Mechanical seals for sanitary pumps

AS-SP07								51
---------	--	--	--	--	--	--	--	----

Mechanical seals for Grundfos pump seal

AS-GLFS								52
---------	--	--	--	--	--	--	--	----

Mechanical seals for APV pump

AS-APV-1/2								53
------------	--	--	--	--	--	--	--	----

Mechanical seals for INPOXPA PROLAC and SLR Pump

AS-IPS								54
--------	--	--	--	--	--	--	--	----

Customized seals

AS-SP1								55
--------	--	--	--	--	--	--	--	----

Metal bellow seal

	AES	Chesterton	Burgmann	CRANE	Anga	Depac	Flowserve	Pages
AS-BM85			MFL85N					57
AS-BM80T			MFLWT80					58
AS-BJ80				680				59
AS-BJ09				609				60

Cartridge seals

	AES	Chesterton	Burgmann	CRANE	Anga	Depac	Flowserve	Pages
AS-C4600D				4620				62-63
AS-C5600S				5610				64-65
AS-C5600D				5620				66-67
AS-C23S					BE2			68
AS-C23D					BED			69
AS-C26S			CARTEX-SN					70
AS-C26D			CARTEX-DN					71
AS-CON	Convertor II							72-73
AS-CMBS	BSFG							74-75
AS-CMB65			MFL65 Cartridge					76
AS-CGS		GSS						77
AS-CGDS		GDS						78
AS-CUN								79
AS-C50D								80
AS-C365D						365		81
AS-CDS								82
AS-C1D								83
AS-C2800E				2800E				83



机械密封标准静环系列
Standard stationary ring series

Size/Metric	d	D6	D7	L4	L8
10	10	17	21	6.6	7.5
12	12	19	23	6.6	7.5
14	14	21	25	6.6	7.5
16	16	23	27	6.6	7.5
18	18	27	33	7.5	8.5
20	20	29	35	7.5	8.5
22	22	31	37	7.5	8.5
24	24	33	39	7.5	8.5
25	25	34	40	7.5	8.5
28	28	37	43	7.5	8.5
30	30	39	45	7.5	8.5
32	32	42	48	7.5	8.5
33	33	42	48	7.5	8.5
35	35	44	50	7.5	8.5
38	38	49	56	9.0	10.0
40	40	51	58	9.0	10.0
43	43	54	61	9.0	10.0
45	45	56	63	9.0	10.0
48	48	59	66	9.0	10.0
50	50	62	70	9.5	10.5
53	53	65	73	11.0	12.0
55	55	67	75	11.0	12.0
58	58	70	78	11.0	12.0
60	60	72	80	11.0	12.0
63	63	75	83	11.0	12.0
65	65	77	85	11.0	12.0
68	68	81	90	11.3	12.5
70	70	83	92	11.3	12.5
75	75	88	97	11.3	12.5
80	80	95	105	12.0	13.0
85	85	100	110	14.0	15.0
90	90	105	115	14.0	15.0
95	95	110	120	14.0	15.0
100	100	115	125	14.0	15.0

Equivalent to AES S03,Vulcan 8.DINS,Burgmann G6/G606,Crane BS
Sterling SM32DINS,Flowserve 8S seat

CUSTOMER:	www.asinoseal.com	ASINOSEAL CO.,LTD
P.O. NO.:	Tel:+86-512-58227959	张家港爱斯密封机械有限公司
REF:	Fax:+86-512-58228759	Installation Drawing
DRAWN BY:	STA'D:	TYPE & SIZE:
CHECKED:	No.265 South Chang'An	AS-S06&S606
APPVd:	Rd,Zhangjiagang ,China	
SCALE:	DATE:	PAGE:X/X

Size/Metric	d	D6	D7	L4	L8
10	10	15.5	19.2	6.6	7.5
12	12	17.5	21.6	5.6	6.5
14	14	20.5	24.6	5.6	6.5
15	15	20.5	24.6	6.6	7.5
16	16	22.0	28.0	7.5	8.5
18	18	24.0	30.0	8.0	9.0
20	20	29.5	35.0	7.5	8.5
22	22	29.5	35.0	7.5	8.5
24	24	32.0	38.0	7.5	8.5
25	25	32.0	38.0	7.5	8.5
26	26	34.0	40.0	8.0	9.0
28	28	36.0	42.0	9.0	10.0
30	30	39.2	45.0	10.5	11.5
32	32	42.2	48.0	10.5	11.5
33	33	44.2	50.0	10.5	12.0
35	35	46.2	52.0	11.0	12.0
38	38	49.2	55.0	10.3	11.3
40	40	52.2	58.0	10.8	11.8
42	42	53.3	62.0	12.0	13.2
43	43	53.3	62.0	12.0	13.2
45	45	55.3	64.0	11.6	12.8
48	48	59.7	68.4	11.6	12.8
50	50	60.8	69.3	11.6	12.8
53	53	63.8	72.3	12.3	13.5
55	55	66.5	75.4	13.3	14.5
58	58	69.5	78.4	13.3	14.5
60	60	71.5	80.4	13.3	14.5
63	63	74.5	83.4	13.3	14.2
65	65	76.5	85.4	13.0	14.2
68	68	82.7	91.5	13.7	14.9
70	70	83.0	92.0	13.0	14.2
75	75	90.2	99.0	14.8	15.2
80	80	95.2	104.0	14.8	16.2
85	85	100.2	109.0	14.8	16.0
90	90	105.2	114.0	14.8	16.0
95	95	111.6	120.3	15.8	17.0
100	100	114.5	123.3	15.8	17.0

Equivalent to AES S01,Vulcan 8.STD,Burgmann G4 seat

CUSTOMER:	www.asinoseal.com	ASINOSEAL CO.,LTD
P.O. NO.:	Tel:+86-512-58227959	张家港爱斯密封机械有限公司
REF:	Fax:+86-512-58228759	Installation Drawing
DRAWN BY:	STA'D:	TYPE & SIZE:
CHECKED:	No.265 South Chang'An	AS-S04
APPVd:	Rd,Zhangjiagang ,China	
SCALE:	DATE:	PAGE:X/X



机械密封标准静环系列
Standard stationary ring series

Size/Metric	d	D6	D7	L4	L8
14	14	21	25	12.0	12.8
16	16	23	27	12.0	12.8
18	18	27	33	13.5	14.5
20	20	29	35	13.5	14.5
22	22	31	37	13.5	14.5
24	24	33	39	13.3	14.3
25	25	34	40	13.0	14.0
28	28	37	43	12.5	13.5
30	30	39	45	12.0	13.0
32	32	42	48	12.0	13.0
33	33	42	48	12.0	13.0
35	35	44	50	12.0	13.0
38	38	49	56	13.0	14.0
40	40	51	58	13.0	14.0
43	43	54	61	13.0	14.0
45	45	56	63	13.0	14.0
48	48	59	66	13.0	14.0
50	50	62	70	13.5	14.5
53	53	65	73	13.5	14.5
55	55	67	75	13.5	14.5
58	58	70	78	13.5	14.2
60	60	72	80	13.5	14.2
63	63	75	83	13.5	14.2
65	65	77	85	13.5	14.2
68	68	81	90	13.5	14.2
70	70	83	92	14.5	15.2
75	75	88	97	14.5	15.2
80	80	95	105	15.0	15.7
85	85	100	110	15.0	15.7
90	90	105	115	15.0	15.7
95	95	110	120	15.0	15.7
100	100	115	125	15.0	15.7

AS-SBO

Equivalent to AES S06,Vulcan 24.DINS,Crane B0 seat,Sterling 522DINS,Flowserve 4S seat

CUSTOMER:	www.asinoseal.com	ASINOSEAL CO.,LTD
P.O. NO.:	Tel:+86-512-58227959	张家港爱斯密封机械有限公司
REF:	Fax:+86-512-58228759	Installation Drawing
DRAWN BY:	STA'D:	TYPE & SIZE:
CHECKED:		AS-SBO
APPVD:		
SCALE:	DATE:	PAGE:X/X

Size/Metric	d	D6	D7	L4	L8
12	12	19	23	6.0	6.8
14	14	21	25	6.0	6.8
16	16	23	27	6.0	6.8
18	18	27	33	6.0	7.0
20	20	29	35	6.0	7.0
22	22	31	37	6.0	7.0
24	24	33	39	6.0	7.0
25	25	34	40	6.0	7.0
28	28	37	43	6.0	7.0
30	30	39	45	7.0	8.0
32	32	42	48	7.0	8.0
33	33	42	48	7.0	8.0
35	35	44	50	8.0	9.0
38	38	49	56	8.0	9.0
40	40	51	58	8.0	9.0
43	43	54	61	8.0	9.0
45	45	56	63	8.0	9.0
48	48	59	66	10.0	11.0
50	50	62	70	10.0	11.0
53	53	65	73	10.0	11.0
55	55	67	75	10.0	11.0
58	58	70	78	10.0	10.7
60	60	72	80	12.0	12.7
63	63	75	83	12.0	12.7
65	65	77	85	12.0	12.7
68	68	81	90	12.0	12.7
70	70	83	92	12.0	12.7
75	75	88	97	12.0	12.7
80	80	95	105	12.5	13.2
85	85	100	110	12.5	13.2
90	90	105	115	12.5	13.2
95	95	110	120	12.5	13.2
100	100	115	125	12.5	13.2

AS-SBS

Equivalent to AES S03,Vulcan 8.DINS,Burgmann G6,Crane BS Sterling SM32DINS,Flowserve 8S seat

CUSTOMER:	www.asinoseal.com	ASINOSEAL CO.,LTD
P.O. NO.:	Tel:+86-512-58227959	张家港爱斯密封机械有限公司
REF:	Fax:+86-512-58228759	Installation Drawing
DRAWN BY:	STA'D:	TYPE & SIZE:
CHECKED:		AS-SBS
APPVD:		
SCALE:	DATE:	PAGE:X/X



机械密封标准静环系列
Standard stationary ring series

Size/Metric	d	D6	D7	L4	L8
10	10	15.5	19.2	7.1	9.0
12	12	17.5	21.6	7.6	10.0
14	14	20.5	24.6	7.6	10.0
15	15	20.5	24.6	8.6	11.0
16	16	22.0	28.0	9.0	11.5
18	18	24.0	30.0	10.0	12.5
20	20	29.5	35.0	9.5	12.5
22	22	29.5	35.0	9.5	12.5
24	24	32.0	38.0	9.5	12.5
25	25	32.0	38.0	9.5	12.5
26	26	34.0	40.0	10.0	13.0
28	28	36.0	42.0	11.0	14.0
30	30	39.2	45.0	11.0	14.0
32	32	42.2	48.0	11.0	14.0
33	33	44.2	50.0	11.5	14.5
35	35	46.2	52.0	11.5	14.5
38	38	49.2	55.0	11.5	14.5
40	40	52.2	58.0	11.5	14.5
42	42	53.3	62.0	14.3	17.0
43	43	54.3	62.0	14.3	17.0
45	45	55.3	64.0	14.3	17.0
48	48	59.7	68.4	14.3	17.0
50	50	60.8	69.3	14.3	17.0
53	53	63.8	72.3	14.3	17.0
55	55	66.5	75.4	15.3	18.0
58	58	69.5	78.4	15.3	18.0
60	60	71.5	80.4	15.3	18.0
63	63	74.5	83.4	15.3	18.0
65	65	76.5	85.4	15.3	18.0
68	68	82.7	91.5	16.0	19.0
70	70	83.0	92.0	15.3	18.0
75	75	90.2	99.0	15.3	18.0
80	80	95.2	104.0	16.3	19.0
85	85	100.2	109.0	16.3	19.0
90	90	105.2	114.0	16.3	19.0
95	95	111.6	120.3	17.3	20.0
100	100	114.5	123.3	17.3	20.0

AS-S13

Equivalent to Burgmann G13 seat

CUSTOMER:	www.asinoseal.com	ASINOSEAL CO.,LTD
P.O. NO. :	Tel:+86-512-58227959	张家港爱斯密封机械有限公司
REF:	Fax:+86-512-58228759	
DRAWN BY:	STA'D:	Installation Drawing
CHECKED:		TYPE & SIZE:
APPVD:		AS-S13
SCALE:	DATE:	PAGE:X/X

Size/Metric	d	D6	D7	L4	L8
10	10	14.0	18.1	5.5	7.0
11	11	16.5	20.6	5.5	7.0
12	12	16.5	20.6	5.5	7.0
13	13	19.0	23.1	6.0	7.5
14	14	19.0	23.1	6.0	7.5
15	15	21.0	26.9	7.0	9.0
16	16	21.0	26.9	7.0	9.0
17	17	21.0	26.9	7.0	9.0
18	18	25.0	30.9	8.0	9.5
19	19	25.0	30.9	8.0	9.5
20	20	25.0	30.9	8.0	9.5
21	21	30.0	35.4	8.0	9.5
22	22	30.0	35.4	8.0	9.5
23	13	30.0	35.4	8.0	9.5
24	24	30.0	35.4	8.0	9.5
25	25	33.0	38.2	8.5	9.5
26	26	33.0	38.2	8.5	9.5
28	28	38.0	43.3	9.0	11.0
29	29	38.0	43.3	9.0	11.0
30	30	38.0	43.3	9.0	11.0
32	32	38.0	43.3	9.0	11.0
33	33	45.0	53.5	11.5	13.0
34	34	45.0	53.5	11.5	13.0
35	35	45.0	53.5	11.5	13.0
36	36	45.0	53.5	11.5	13.0
38	38	52.0	60.5	11.5	13.0
40	40	52.0	60.5	11.5	13.0
42	42	52.0	60.5	11.5	13.0
43	43	52.0	60.5	11.5	13.0
44	44	57.0	65.5	11.5	13.0
45	45	57.0	65.5	11.5	13.0
48	48	57.0	65.5	11.5	13.0
50	50	64.0	72.5	11.5	13.5
55	55	64.0	72.5	11.5	13.5
60	60	72.0	79.3	11.5	13.5
65	65	77.0	84.5	11.5	13.5
70	70	82.0	89.5	11.5	13.5
75	75	87.0	94.5	11.5	13.5
80	80	92.0	99.5	11.5	13.5
85	85	98.0	105.5	13.5	15.5
90	90	105.0	111.5	13.5	15.5
95	95	110.0	116.5	13.5	15.5
100	100	114.0	119.5	13.5	15.5

AS-S12

Equivalent to Vulcan 12 seat

CUSTOMER:	www.asinoseal.com	ASINOSEAL CO.,LTD
P.O. NO. :	Tel:+86-512-58227959	张家港爱斯密封机械有限公司
REF:	Fax:+86-512-58228759	
DRAWN BY:	STA'D:	Installation Drawing
CHECKED:		TYPE & SIZE:
APPVD:		AS-S12
SCALE:	DATE:	PAGE:X/X



机械密封标准静环系列
Standard stationary ring series

Size/Metric	d	D6	D7	L4	L8
10	10	17	21	7	8.5
12	12	19	23	7	8.5
14	14	21	25	7	8.5
16	16	23	27	7	8.5
18	18	27	33	10	12.0
20	20	29	35	10	12.0
22	22	31	37	10	12.0
24	24	33	39	10	12.0
25	25	34	40	10	12.0
28	28	37	43	10	12.0
30	30	39	45	10	12.0
32	32	42	48	10	11.5
33	33	42	48	10	11.5
35	35	44	50	10	11.5
38	38	49	56	13	15.0
40	40	51	58	13	15.0
43	43	54	61	13	14.5
45	45	56	63	13	14.5
48	48	59	66	13	15.0
50	50	62	70	14	16.0
53	53	65	73	14	16.0
55	55	67	75	14	16.0
58	58	70	78	14	16.0
60	60	72	80	14	16.0
63	63	75	83	14	16.0
65	65	77	85	14	16.0
68	68	81	90	16	18.0
70	70	83	92	16	18.0
75	75	88	97	16	18.0
80	80	95	105	18	20.0
85	85	100	110	18	20.0
90	90	105	115	18	20.0
95	95	110	120	18	20.0
100	100	115	125	18	20.0

AS-S12D

Equivalent to Vulcan 12DIN

CUSTOMER:	www.asinoseal.com	ASINOSEAL CO.,LTD
P.O. NO.:	Tel:+86-512-58227959	张家港爱斯诺机械密封有限公司
REF:	Fax:+86-512-58228759	
DRAWN BY:	STA'D:	Mail:sales@asinoseal.com
CHECKED:		No.265 South Chang'An Rd,Zhangjiagang ,China
APPVD:		Installation Drawing
SCALE:	DATE:	TYPE & SIZE:
	PAGE:X/X	AS-S12D

Size/Metric	d	Unbal Seal	Bal Seal	Unbal Seal	Bal Seal	D6	D7	L4	L8	E
14	14	30	38	26	34	21	25	12.0	12.8	4
16	16	32	40	28	36	23	27	12.0	12.8	4
18	18	38	42	34	38	27	33	13.5	14.5	4
20	20	40	43	36	40	29	35	13.5	14.5	4
22	22	42	46	38	42	31	37	13.5	14.5	4
24	24	43	48	40	44	33	39	13.5	14.5	4
25	25	46	50	41	46	34	40	13.0	14.0	4
28	28	48	53	44	49	37	43	12.5	13.5	4
30	30	50	60	46	51	39	45	12.0	13.0	4
32	32	53	62	48	58	42	48	12.0	13.0	4
33	33	53	62	49	58	42	48	12.0	13.0	4
35	35	60	65	51	60	44	50	12.0	13.0	4
38	38	62	67	58	63	49	56	13.0	14.0	6
40	40	65	70	60	65	51	58	13.0	14.0	6
43	43	67	72	63	68	54	61	13.0	14.0	6
45	45	70	75	65	70	56	63	13.0	14.0	6
48	48	72	77	68	73	59	66	13.0	14.0	6
50	50	75	86	70	75	62	70	13.5	14.5	6
53	53	77	88	73	83	65	73	13.5	14.5	6
55	55	86	91	75	85	67	75	13.5	14.5	6
58	58	88	93	83	88	70	78	13.5	14.2	6
60	60	91	96	85	90	72	80	13.5	14.2	6
63	63	93	98	88	93	75	83	13.5	14.2	6
65	65	96	103	90	95	77	85	13.5	14.2	6
68	68	98	-	93	-	81	90	13.5	14.2	6
70	70	103	108	95	104	83	92	14.5	15.2	6
75	75	108	120	104	109	88	97	14.5	15.2	6
80	80	120	125	109	114	95	105	15.0	15.7	6
85	85	125	130	114	119	100	110	15.0	15.7	6
90	90	130	135	119	124	105	115	15.0	15.7	6
95	95	135	140	124	129	110	120	15.0	15.7	6
100	100	140	145	129	134	115	125	15.0	15.7	6

AS-SBC

Unbalanced seal Balanced seal

Equivalent to Johncrane BC seat

CUSTOMER:	www.asinoseal.com	ASINOSEAL CO.,LTD
P.O. NO.:	Tel:+86-512-58227959	张家港爱斯诺机械密封有限公司
REF:	Fax:+86-512-58228759	
DRAWN BY:	STA'D:	Mail:sales@asinoseal.com
CHECKED:		No.265 South Chang'An Rd,Zhangjiagang ,China
APPVD:		Installation Drawing
SCALE:	DATE:	TYPE & SIZE:
	PAGE:X/X	AS-SBC



机械密封标准静环系列
Standard stationary ring series

Mechanical seal

Size/Metric	d	D6	D7	D8	L4	L8
10	10	17	21	3	10.0	17.5
12	12	19	23	3	10.0	17.5
14	14	21	25	3	10.0	17.5
16	16	23	27	3	10.0	17.5
18	18	27	33	3	11.5	19.5
20	20	29	35	3	11.5	19.5
22	22	31	37	3	11.5	19.5
24	24	33	39	3	11.5	19.5
25	25	34	40	3	11.5	19.5
28	28	37	43	3	11.5	19.5
30	30	39	45	3	11.5	19.5
32	32	42	48	3	11.5	19.5
33	33	42	48	3	11.5	19.5
35	35	44	50	3	11.5	19.5
38	38	49	56	4	14.0	22.0
40	40	51	58	4	14.0	22.0
43	43	54	61	4	14.0	22.0
45	45	56	63	4	14.0	22.0
48	48	69	66	4	14.0	22.0
50	50	62	70	4	15.0	23.0
53	53	65	73	4	15.0	23.0
55	55	67	75	4	15.0	23.0
58	58	70	78	4	15.0	23.0
60	60	72	80	4	15.0	23.0
63	63	75	83	4	15.0	23.0
65	65	77	85	4	15.0	23.0
68	68	81	90	4	18.0	26.0
70	70	83	92	4	18.0	26.0
75	75	88	97	4	18.0	26.0
80	80	95	105	4	18.2	26.2
85	85	100	110	4	18.2	26.2
90	90	105	115	4	18.2	26.2
95	95	110	120	4	17.2	25.2
100	100	115	125	4	17.2	25.2

AS-S09

AS-S92

Equivalent to AES S02 ,Vulcan 8,DINL,Burgmann G9/G92,Sterling SM32DINL,Flowserve 8L seat

CUSTOMER:	www.asinoseal.com	ASINOSEAL CO.,LTD
P.O. NO.:	Tel:+86-512-58227959	张家港爱斯耐机械密封有限公司
REF:	Fax:+86-512-58228759	
DRAWN BY:	STA'D:	Installation Drawing
CHECKED:	No.265 South Chang'An	TYPE & SIZE:
APPVD:	Rd.Zhangjiagang ,China	AS-S09&S92
SCALE:	DATE:	PAGE:X/X

Size/Metric	d	D6	D7	D8	L4	L8
18	18	27	33	3	7.0	15.0
20	20	29	35	3	7.0	15.0
22	22	31	37	3	7.0	15.0
24	24	33	39	3	7.0	15.0
25	25	34	40	3	7.0	15.0
28	28	37	43	3	7.0	15.0
30	30	39	45	3	7.0	15.0
32	32	42	48	3	7.0	15.0
33	33	42	48	3	7.0	15.0
35	35	44	50	3	7.0	15.0
38	38	49	56	4	7.0	16.0
40	40	51	58	4	8.0	16.0
43	43	54	61	4	8.0	16.0
45	45	56	63	4	8.0	16.0
48	48	59	66	4	8.0	16.0
50	50	62	70	4	9.5	17.0
53	53	65	73	4	9.5	17.0
55	55	67	75	4	9.5	17.0
58	58	70	78	4	10.5	18.0
60	60	72	80	4	10.5	18.0
63	63	75	83	4	10.5	18.0
65	65	77	85	4	10.5	18.0
68	68	81	90	4	11.0	18.5
70	70	83	92	4	11.5	19.0
75	75	88	97	4	11.5	19.0
80	80	95	105	4	11.5	19.0
85	85	100	110	4	11.5	19.0
90	90	105	115	4	13.0	20.5
95	95	110	120	4	13.0	20.5
100	100	115	125	4	13.0	20.5

AS-S16

Equivalent to Burgmann G16 seat

CUSTOMER:	www.asinoseal.com	ASINOSEAL CO.,LTD
P.O. NO.:	Tel:+86-512-58227959	张家港爱斯耐机械密封有限公司
REF:	Fax:+86-512-58228759	
DRAWN BY:	STA'D:	Installation Drawing
CHECKED:	No.265 South Chang'An	TYPE & SIZE:
APPVD:	Rd.Zhangjiagang ,China	AS-S16
SCALE:	DATE:	PAGE:X/X



机械密封标准静环系列
Standard stationary ring series

Size/Metric	d	D6	D7	D8	L4	L8
10	10	17	21	3	8.6	15.0
12	12	19	23	3	8.6	15.0
14	14	21	25	3	8.6	15.0
16	16	23	27	3	8.6	15.0
18	18	27	33	3	10.0	17.0
20	20	29	35	3	10.0	17.0
22	22	31	37	3	10.0	17.0
24	24	33	39	3	10.0	17.0
25	25	34	40	3	10.0	17.0
28	28	37	43	3	10.0	17.0
30	30	39	45	3	10.0	17.0
32	32	42	48	3	10.0	17.0
33	33	42	48	3	10.0	17.0
35	35	44	50	3	10.0	17.0
38	38	49	56	4	11.0	18.0
40	40	51	58	4	11.0	18.0
43	43	54	61	4	11.0	18.0
45	45	56	63	4	11.0	18.0
48	48	59	66	4	11.0	18.0
50	50	62	70	4	13.0	20.0
53	53	65	73	4	13.0	20.0
55	55	67	75	4	13.0	20.0
58	58	70	78	4	13.0	20.0
60	60	72	80	4	13.0	20.0
63	63	75	83	4	13.0	20.0
65	65	77	85	4	13.0	20.0
68	68	81	90	4	15.3	22.0
70	70	83	92	4	15.3	22.0
75	75	88	97	4	15.3	22.0
80	80	95	105	4	15.7	22.5
85	85	100	110	4	15.7	22.5
90	90	105	115	4	15.7	22.5
95	95	110	120	4	15.7	22.5
100	100	115	125	4	15.7	22.5

AS-S24L

Equivalent to AES S05 seat, Vulcan 24.DINL, Sterling 522DINL, Flowserve 4L

CUSTOMER:	www.asinoseal.com	ASINOSEAL CO.,LTD
P.O. NO.:	Tel:+86-512-58227959	张家港爱斯密封有限公司
REF:	Fax:+86-512-58228759	Installation Drawing
DRAWN BY:	STA'D:	TYPE & SIZE:
CHECKED:	No.265 South Chang An Rd,Zhangjiagang ,China	AS-S24L
APPVD:	SCALE:	
DATE:	PAGE:X/X	

Size/Metric	d	D4		D6	D7	L4	L8	E		
		Unbal Seal	Bal Seal							
14	14	30	38	26	34	21	25	12.0	18.5	4
16	16	32	40	28	36	23	27	12.0	18.5	4
18	18	38	42	34	38	27	33	13.5	20.5	4
20	20	40	43	36	40	29	35	13.5	20.5	4
22	22	42	46	38	42	31	37	13.5	20.5	4
24	24	43	48	40	44	33	39	13.5	20.5	4
25	25	46	50	41	46	34	40	13.0	20.0	4
28	28	48	53	44	49	37	43	12.5	19.5	4
30	30	50	60	46	51	39	45	12.0	19.0	4
32	32	53	62	48	58	42	48	12.0	19.0	4
33	33	53	62	49	58	42	48	12.0	19.0	4
35	35	60	65	51	60	44	50	12.0	19.0	4
38	38	62	67	58	63	49	56	13.0	20.0	6
40	40	65	70	60	65	51	58	13.0	20.0	6
43	43	67	72	63	68	54	61	13.0	20.0	6
45	45	70	75	65	70	56	63	13.0	20.0	6
48	48	72	77	68	73	59	66	13.0	20.0	6
50	50	75	86	70	75	62	70	13.5	20.5	6
53	53	77	88	73	83	65	73	13.5	20.5	6
55	55	86	91	75	85	67	75	13.5	20.5	6
58	58	88	93	83	88	70	78	13.5	20.5	6
60	60	91	96	85	90	72	80	13.5	20.5	6
63	63	93	98	88	93	75	83	13.5	20.5	6
65	65	96	103	90	95	77	85	13.5	20.5	6
68	68	98	-	93	-	81	90	13.5	20.5	6
70	70	103	108	95	104	83	92	14.5	21.5	6
75	75	108	120	104	109	88	97	14.5	21.5	6
80	80	120	125	109	114	95	105	15.0	22.0	6
85	85	125	130	114	119	100	110	15.0	22.0	6
90	90	130	135	119	124	105	115	15.0	22.0	6
95	95	135	140	124	129	110	120	15.0	22.0	6
100	100	140	145	129	134	115	125	15.0	22.0	6

AS-SBD

Unbalanced seal Balanced seal

Equivalent to AES S010 seat, Johncrane BD seat

CUSTOMER:	www.asinoseal.com	ASINOSEAL CO.,LTD
P.O. NO.:	Tel:+86-512-58227959	张家港爱斯密封有限公司
REF:	Fax:+86-512-58228759	Installation Drawing
DRAWN BY:	STA'D:	TYPE & SIZE:
CHECKED:	No.265 South Chang An Rd,Zhangjiagang ,China	AS-SBD
APPVD:	SCALE:	
DATE:	PAGE:X/X	



机械密封标准静环系列
Standard stationary ring series

Size/Inch	d	D6	D7	L4
0.500	12.7	14.0	25.60	7.92
0.625	15.8	17.5	31.95	10.31
0.750	19.0	21.0	35.12	10.31
0.875	22.2	24.0	38.30	10.31
1.000	25.4	27.5	41.48	11.10
1.125	28.5	30.5	44.65	11.10
1.250	31.7	33.5	47.83	11.10
1.375	34.9	37.0	51.00	11.10
1.500	38.1	40.0	54.18	11.10
1.625	41.2	43.5	60.53	12.70
1.750	44.4	46.5	63.70	12.70
1.875	47.6	49.5	66.88	12.70
2.000	50.8	53.0	70.05	12.70
2.125	53.9	56.0	76.40	14.27
2.250	57.1	59.0	79.58	14.27
2.375	60.3	62.5	82.75	14.27
2.500	63.5	65.5	85.93	14.27
2.625	66.6	68.5	85.93	15.88
2.750	69.8	72.0	89.10	15.88
2.875	73.0	75.0	95.45	15.88
3.000	76.2	78.5	98.63	15.88
3.125	79.3	81.5	101.80	19.84
3.250	82.5	84.5	104.98	19.84
3.375	85.7	88.0	108.15	19.84
3.500	88.9	91.0	111.33	19.84
3.625	92.0	94.0	114.50	19.84
3.750	95.2	97.5	117.68	19.84
3.875	98.4	100.5	120.85	19.84
4.000	101.6	103.5	124.03	19.84

CUSTOMER:	www.asinoseal.com	ASINOSEAL CO.,LTD
P.O. NO.:	Tel:+86-512-58227959	张家港爱斯耐机械密封有限公司
REF:	Fax:+86-512-58228759	Installation Drawing
DRAWN BY:	STA'D:	TYPE & SIZE:
CHECKED:	Mail:sales@asinoseal.com	AS-SPG
APPVD:	No.265 South Chang'An Rd,Zhangjiagang ,China	
SCALE:	DATE:	PAGE:X/X

Size/Inch	d	D6	D7	L4	L8
0.375	9.5	11.00	22.23	7.92	-
0.500	12.7	13.50	25.40	7.92	-
0.625	15.8	17.00	31.75	10.31	2.0
0.750	19.0	20.00	34.93	10.31	2.0
0.875	22.2	23.00	38.10	10.31	2.0
1.000	25.4	26.50	41.28	11.10	2.0
1.125	28.5	29.50	44.45	11.10	2.5
1.250	31.7	32.50	47.63	11.10	2.5
1.375	34.9	36.50	50.80	11.10	2.5
1.500	38.1	39.50	53.98	11.10	2.5
1.625	41.2	42.50	60.33	12.70	2.5
1.750	44.4	46.00	63.50	12.70	2.5
1.875	47.6	49.00	66.68	12.70	2.5
2.000	50.8	52.00	69.85	12.70	3.0
2.125	53.9	55.50	76.20	14.30	3.0
2.250	57.1	58.50	79.38	14.30	3.0
2.375	60.3	61.50	82.55	14.30	3.0
2.500	63.5	65.00	85.73	14.30	3.0
2.625	66.6	68.00	85.73	15.90	3.0
2.750	69.8	71.00	88.90	15.90	3.0
2.875	73.0	74.50	95.25	15.90	3.0
3.000	76.2	77.50	98.43	15.90	3.0
3.125	79.3	80.50	101.60	19.89	4.0
3.250	82.5	84.00	104.78	19.89	4.0
3.375	85.7	87.00	107.95	19.89	4.0
3.500	88.9	90.50	111.13	19.89	4.0
3.625	92.0	93.50	114.30	19.89	4.0
3.750	95.2	96.50	117.48	19.89	4.0
3.875	98.4	100.00	120.65	19.89	4.0
4.000	101.6	103.00	123.83	19.89	4.0

CUSTOMER:	www.asinoseal.com	ASINOSEAL CO.,LTD
P.O. NO.:	Tel:+86-512-58227959	张家港爱斯耐机械密封有限公司
REF:	Fax:+86-512-58228759	Installation Drawing
DRAWN BY:	STA'D:	TYPE & SIZE:
CHECKED:	Mail:sales@asinoseal.com	AS-ORSA
APPVD:	No.265 South Chang'An Rd,Zhangjiagang ,China	
SCALE:	DATE:	PAGE:X/X



机械密封标准静环系列
Standard stationary ring series

	1	2	3	4		5	6	7	8
	Size/Inch	d	D6	D7	L4	L8			
A	0.375	9.5	11.0	24.60	8.7	--			
	0.500	12.7	13.5	27.80	8.7	--			
	0.625	15.8	17.0	30.95	10.3	2.0			
	0.750	19.0	20.0	34.15	10.3	2.0			
	0.813	20.6	21.5	35.70	10.3	2.0			
	0.875	22.2	23.0	37.30	10.3	2.0			
B	1.000	25.4	26.5	40.50	10.3	2.0			
	1.125	28.5	29.5	47.65	11.9	2.5			
	1.250	31.7	32.5	50.80	11.9	2.5			
C	1.375	34.9	36.5	54.00	11.9	2.5			
	1.500	38.1	39.5	57.15	11.9	2.5			
	1.625	41.2	42.5	60.35	11.9	2.5			
	1.750	44.4	46.0	63.50	11.9	2.5			
	1.875	47.6	49.0	66.70	11.9	2.5			
D	2.000	50.8	52.0	69.85	13.5	3.0			
	2.125	53.9	55.5	73.05	13.5	3.0			
	2.250	57.1	58.5	76.20	13.5	3.0			
	2.375	60.3	61.5	79.40	13.5	3.0			
	2.500	63.5	65.0	82.55	13.5	3.0			
	2.625	66.6	68.0	85.70	15.9	3.0			
	2.750	69.8	71.0	88.85	15.9	3.0			
E	2.875	73.0	74.5	92.00	15.9	3.0			
	3.000	76.2	77.5	95.15	15.9	3.0			
	3.125	79.3	80.5	98.30	19.9	4.0			
	3.250	82.5	84.0	101.45	19.9	4.0			
	3.375	85.7	87.0	104.60	19.9	4.0			
	3.500	88.9	90.5	107.75	19.9	4.0			
F	3.625	92.0	93.5	110.90	19.9	4.0			
	3.750	95.2	96.5	114.05	19.9	4.0			
	3.875	98.4	100.0	117.20	19.9	4.0			
	4.000	101.6	103.0	120.35	19.9	4.0			

AS-ORSE

Equivalent to AES S07/S070, Vulcan 31, Crane W type, Roten W, Flowserve 1H

CUSTOMER:	www.asinoseal.com	ASINOSEAL CO.,LTD
P.O. NO.:	Tel:+86-512-58227959	张家港爱斯耐机械有限公司
REF:	Fax:+86-512-58228759	Installation Drawing
DRAWN BY:	STA'D:	TYPE & SIZE:
CHECKED:		AS-ORSE
APPVD:		
SCALE:	DATE:	PAGE:X/X

	1	2	3	4		5	6	7	8
	Size/Metric	d	D6	D7	L4				
A	10	10	17	21	6.6				
	12	12	19	23	6.6				
	14	14	21	25	6.6				
	16	16	23	27	6.6				
	18	18	27	33	7.5				
	20	20	29	35	7.5				
	22	22	31	37	7.5				
B	24	24	33	39	7.5				
	25	25	34	40	7.5				
	28	28	37	43	7.5				
	30	30	39	45	7.5				
	32	32	42	48	7.5				
	33	33	42	48	7.5				
C	35	35	44	50	7.5				
	38	38	49	56	9.0				
	40	40	51	58	9.0				
	43	43	54	61	9.0				
	45	45	56	63	9.0				
	48	48	59	66	9.0				
D	50	50	62	70	9.5				
	53	53	65	73	11.0				
	55	55	67	75	11.0				
	58	58	70	78	11.0				
	60	60	72	80	11.0				
	63	63	75	83	11.0				
	65	65	77	85	11.0				
E	68	68	81	90	11.3				
	70	70	83	92	11.3				
	75	75	88	97	11.3				
	80	80	95	105	12.0				
	85	85	100	110	14.0				
	90	90	105	115	14.0				
F	95	95	110	120	14.0				
	100	100	115	125	14.0				

AS-S60

Equivalent to Burgmann G60 seat

CUSTOMER:	www.asinoseal.com	ASINOSEAL CO.,LTD
P.O. NO.:	Tel:+86-512-58227959	张家港爱斯耐机械有限公司
REF:	Fax:+86-512-58228759	Installation Drawing
DRAWN BY:	STA'D:	TYPE & SIZE:
CHECKED:		AS-S60
APPVD:		
SCALE:	DATE:	PAGE:X/X



机械密封标准静环系列
Standard stationary ring series

1					2				3				4				5				6				7				8			
Size Metric					d	D6	D7	L4	Size Inch				d	D7	L4	AS-S20				Equivalent to Vulcan 20(Metric) seat				Customer/Company Info								
10	10	11.0	24.60	9.0	0.375	9.5	24.60	8.7					AS-S20																			
12	12	13.5	27.80	9.0	0.500	12.7	27.80	8.7																								
14	14	17.0	30.95	10.5	0.625	15.8	30.95	10.3																								
15	15	17.0	30.95	10.5	0.750	19.0	34.15	10.3																								
16	16	17.0	30.95	10.5	0.813	20.6	35.70	10.3																								
18	18	20.0	34.15	10.5	0.875	22.2	37.30	10.3																								
19	19	20.0	34.15	10.5	1.000	25.4	40.50	10.3																								
20	20	21.5	35.70	10.5	1.125	28.5	47.65	11.9																								
22	22	23.0	37.30	10.5	1.250	31.7	50.80	11.9																								
24	24	26.5	40.50	10.5	1.375	34.9	54.00	11.9																								
25	25	26.5	40.50	10.5	1.500	38.1	57.15	11.9																								
28	28	29.5	47.65	12.0	1.625	41.2	60.35	11.9																								
30	30	32.5	50.80	12.0	1.750	44.4	63.50	11.9																								
32	32	32.5	50.80	12.0	1.875	47.6	66.70	11.9																								
33	33	36.5	54.00	12.0	2.000	50.8	69.85	13.5																								
35	35	36.5	54.00	12.0	2.125	53.9	73.05	13.5																								
38	38	39.5	57.15	12.0	2.250	57.1	76.20	13.5																								
40	40	42.5	60.35	12.0	2.375	60.3	79.40	13.5																								
42	42	46.0	63.50	12.0	2.500	63.5	82.55	13.5																								
43	43	46.0	63.50	12.0	2.625	66.6	85.75	15.9																								
45	45	46.0	63.50	12.0	2.750	69.8	88.95	15.9																								
48	48	49.0	66.70	12.0	2.875	73.0	92.15	15.9																								
50	50	52.0	69.85	13.5	3.000	76.2	95.35	15.9																								
53	53	55.5	73.05	13.5	3.125	79.3	98.55	20.0																								
55	55	58.5	76.20	13.5	3.250	82.5	101.75	20.0																								
58	58	61.5	79.40	13.5	3.375	85.7	104.95	20.0																								
60	60	61.5	79.40	13.5	3.500	88.9	108.15	20.0																								
65	65	68.0	92.10	16.0	3.625	92.0	111.35	20.0																								
68	68	71.0	95.25	16.0	3.750	95.2	114.55	20.0																								
70	70	71.0	95.25	16.0	3.875	98.4	117.75	20.0																								
75	75	77.5	101.60	16.0	4.000	101.6	120.95	20.0																								
80	80	84.0	114.30	20.0																												
85	85	87.0	117.50	20.0																												
90	90	93.5	123.85	20.0																												
95	95	96.5	127.00	20.0																												
100	100	103.0	133.35	20.0																												

1					2				3				4				5				6				7				8			
Size Metric					d	D6	D7	L4	Size Inch				d	D7	L4	AS-S24				Equivalent to Vulcan 24 Seat				Customer/Company Info								
10	10	17	21	8.6									AS-S24																			
12	12	19	23	8.6																												
14	14	21	25	8.6																												
16	16	23	27	8.6																												
18	18	27	33	10.0																												
20	20	29	35	10.0																												
22	22	31	37	10.0																												
24	24	33	39	10.0																												
25	25	34	40	10.0																												
28	28	37	43	10.0																												
30	30	39	45	10.0																												
32	32	42	48	10.0																												
33	33	42	48	10.0																												
35	35	44	50	10.0																												
38	38	49	56	11.0																												
40	40	51	58	11.0																												
43	43	54	61	11.0																												
45	45	56	63	11.0																												
48	48	59	66	11.0																												
50	50	62	70	13.0																												
53	53	65	73	13.0																												
55	55	67	75	13.0																												
58	58	70	78	13.0																												
60	60	72	80	13.0																												
63	63	75	83	13.0																												
65	65	77	85	13.0																												
68	68	81	90	15.3																												
70	70	83	92	15.3																												
75	75	88	97	15.3																												
80	80	95	105	15.7																												
85	85	100	110	15.7																												
90	90	105	115	15.7																												
95	95	110	120	15.7																												
100	100	115	125	15.7																												



机械密封标准静环系列
Standard stationary ring series

	1	2	3	4	5	6	7	8
	Size/Inch	d	D6	D7	L4			
A	0.375	9.5	15.88	22.23	7.95			
	0.500	12.7	19.05	25.40	7.95			
	0.625	15.8	23.80	31.75	10.31			
	0.750	19.0	26.97	34.93	10.31			
	0.875	22.2	30.15	38.10	10.31			
	1.000	25.4	33.32	41.28	11.10			
	1.125	28.5	36.50	44.45	11.10			
B	1.250	31.7	39.70	47.63	11.10			
	1.375	34.9	42.85	50.80	11.10			
	1.500	38.1	46.05	53.98	11.10			
	1.625	41.2	50.80	60.33	12.70			
	1.750	44.4	53.97	63.50	12.70			
	1.875	47.6	57.15	66.68	12.70			
	2.000	50.8	60.33	69.85	12.70			
	2.125	53.9	60.33	76.20	14.27			
	2.250	57.1	61.90	79.38	14.27			
	2.375	60.3	65.10	82.55	14.27			
	2.500	63.5	68.25	85.73	14.27			
D	2.625	66.6	71.42	85.73	15.88			
	2.750	69.8	74.60	88.90	15.88			
	2.875	73.0	77.77	95.25	15.88			
	3.000	76.2	80.95	98.43	15.88			
	3.125	79.3	84.12	101.60	19.84			
	3.250	82.5	87.30	104.78	19.84			
	3.375	85.7	90.47	107.95	19.84			
	3.500	88.9	93.65	111.13	19.84			
	3.625	92.0	96.82	114.30	19.84			
	3.750	95.2	100.00	117.48	19.84			
	3.875	98.4	103.17	120.65	19.84			
F	4.000	101.6	106.35	123.83	19.84			

AS-S11

Equivalent to Vulcan 11 seat

CUSTOMER:	www.asinoseal.com	ASINOSEAL CO.LTD
P.O. NO. :	Tel:+86-512-58227959	张家港爱斯诺机械密封有限公司
REF:	Fax:+86-512-58228759	
DRAWN BY:	STA'D:	Mail:sales@asinoseal.com
CHECKED:		No.265 South Chang'An Rd,Zhangjiagang ,China
APPVD:		Installation Drawing
SCALE:	DATE:	TYPE & SIZE:
		AS-S11
		PAGE:X/X

	1	2	3	4	5	6	7	8
	Size/Metric	d	D6	D7	L4			
A	10	10	15	21	5			
	12	12	17	23	6			
	14	14	19	25	6			
	15	15	20	26	6			
	16	16	23	27	6			
	18	18	25	33	6			
	20	20	27	35	6			
	22	22	29	37	6			
B	24	24	31	39	6			
	25	25	32	40	6			
	28	28	35	43	6			
	30	30	37	45	7			
	32	32	40	48	7			
	33	33	40	48	7			
	35	35	42	50	8			
	38	38	47	56	8			
	40	40	49	58	8			
	43	43	52	61	8			
	45	45	54	63	8			
	48	48	57	66	10			
D	50	50	60	70	10			
	53	53	63	73	10			
	55	55	65	75	10			
	58	58	68	78	10			
	60	60	70	80	12			
	63	63	73	83	12			
	65	65	75	85	12			
	68	68	79	90	12			
	70	70	81	92	12			
	75	75	86	97	12			
	80	80	92	105	12.5			
	85	85	97	110	12.5			
	90	90	102	115	12.5			
	95	95	117	120	12.5			
F	100	100	122	125	12.5			

AS-S210

Equivalent to Johncrane 2100 seat

CUSTOMER:	www.asinoseal.com	ASINOSEAL CO.LTD
P.O. NO. :	Tel:+86-512-58227959	张家港爱斯诺机械密封有限公司
REF:	Fax:+86-512-58228759	
DRAWN BY:	STA'D:	Mail:sales@asinoseal.com
CHECKED:		No.265 South Chang'An Rd,Zhangjiagang ,China
APPVD:		Installation Drawing
SCALE:	DATE:	TYPE & SIZE:
		AS-S210
		PAGE:X/X



机械密封标准静环系列
Standard stationary ring series

	1	2	3	4		5	6	7	8	
Size/Metric	d	D6	D7	L4	L8	AS-SBP				
A	14	21	25	12.0	18.5					A
	16	23	27	12.0	18.5					
	18	27	33	13.5	20.5					
	20	29	35	13.5	20.5					
	22	31	37	13.5	20.5					
	24	33	39	13.3	20.3					
	25	34	40	13.0	20.0					
B	28	37	43	12.5	19.5					
	30	39	45	12.0	19.0					
	32	42	48	12.0	19.0					
C	33	42	48	12.0	19.0					
	35	44	50	12.0	19.0					
	38	49	56	13.0	20.0					
	40	51	58	13.0	20.0					
	43	54	61	13.0	20.0					
	45	56	63	13.0	20.0					
	48	59	66	13.0	20.0					
D	50	62	70	13.5	20.5					
	53	65	73	13.5	20.5					
	55	67	75	13.5	20.5					
	58	70	78	13.5	20.5					
	60	72	80	13.5	20.5					
	63	75	83	13.5	20.5					
	65	77	85	13.5	20.5					
E	68	81	90	13.5	20.5					
	70	83	92	14.5	21.5					
	75	88	97	14.5	21.5					
	80	95	105	15.0	22.0					
	85	100	110	15.0	22.0					
F	90	105	115	15.0	22.0					
	95	110	120	15.0	22.0					
	100	115	125	15.0	22.0					

Equivalent to AES S010 seat, Johncrane BP seat

CUSTOMER:	www.asinoseal.com	ASINOSEAL CO.,LTD
P.O. NO.:	Tel:+86-512-58227959	张家港爱斯密封材料有限公司
REF:	Fax:+86-512-58228759	
DRAWN BY:	STA'D:	Mail:sales@asinoseal.com
CHECKED:		No.265 South Chang'An Rd,Zhangjiagang ,China
APPVD:		
SCALE:	DATE:	PAGE:X/X
		Installation Drawing
		TYPE & SIZE:
		AS-SBP

	1	2	3	4		5	6	7	8	
Size/Inch	d	D6	D7	L4		AS-SAG				
A	0.250	6.3	7.1	19.05	7.9					A
	0.375	9.5	10.2	22.23	7.9					
	0.500	12.7	13.4	25.40	7.9					
	0.625	15.8	16.6	31.75	10.3					
	0.750	19.0	19.7	34.93	10.3					
	0.875	22.2	22.9	38.10	10.3					
	1.000	25.4	26.1	41.28	11.1					
	1.125	28.5	29.3	44.45	11.1					
B	1.250	31.7	32.4	47.63	11.1					
	1.375	34.9	35.6	50.80	11.1					
	1.500	38.1	38.8	53.98	11.1					
	1.625	41.2	42.4	60.33	12.7					
	1.750	44.4	45.5	63.50	12.7					
	1.875	47.6	48.7	66.68	12.7					
	2.000	50.8	51.9	69.85	12.7					
C	2.125	53.9	55.0	76.20	14.3					
	2.250	57.1	58.2	79.38	14.3					
	2.375	60.3	61.4	82.55	14.3					
	2.500	63.5	64.6	85.73	14.3					
	2.625	66.6	67.7	85.73	15.9					
	2.750	69.8	70.9	88.90	15.9					
	2.875	73.0	74.1	95.25	15.9					
D	3.000	76.2	77.3	98.43	15.9					
	3.125	79.3	80.5	101.60	19.8					
	3.250	82.5	83.6	104.78	19.8					
	3.375	85.7	86.8	107.95	19.8					
	3.500	88.9	90.0	111.13	19.8					
	3.625	92.0	93.1	114.30	19.8					
	3.750	95.2	96.3	117.48	19.8					
E	3.875	98.4	99.5	120.65	19.8					
	4.000	101.6	102.7	123.83	19.8					
	4.125	104.7	106.3	130.18	19.8					
	4.250	107.9	109.5	133.35	19.8					
	4.375	111.1	112.7	136.53	19.8					
	4.500	114.3	115.9	139.70	19.8					
	4.625	117.4	119.0	142.88	19.8					
F	4.750	120.6	122.2	146.05	19.8					
	4.875	123.8	125.4	149.23	19.8					
	5.000	127.0	128.6	152.40	19.8					

Equivalent to Johncrane AG seat

CUSTOMER:	www.asinoseal.com	ASINOSEAL CO.,LTD
P.O. NO.:	Tel:+86-512-58227959	张家港爱斯密封材料有限公司
REF:	Fax:+86-512-58228759	
DRAWN BY:	STA'D:	Mail:sales@asinoseal.com
CHECKED:		No.265 South Chang'An Rd,Zhangjiagang ,China
APPVD:		
SCALE:	DATE:	PAGE:X/X
		Installation Drawing
		TYPE & SIZE:
		AS-SAG



机械密封标准静环系列 Standard stationary ring series

1	2	3	4	5	6	7	8				
Size/Metric	D6	D7	L	L5	Size/Inch	d	D6	D7	L4	L5	
A	16	36.51	48	17.4	7.9	0.750	19.0	36.51	48	4.8	8.0
	18	36.51	48	17.4	7.9	0.875	22.2	39.69	51	4.8	8.0
	20	39.69	51	17.4	7.9	1.000	25.4	42.86	54	4.8	8.0
	22	39.69	51	17.4	7.9	1.125	28.5	50.80	65	8.0	11.0
	24	42.86	54	17.4	7.9	1.250	31.7	53.98	68	8.0	11.0
	25	42.86	54	17.4	7.9	1.375	34.9	57.15	71	8.0	11.0
	28	50.80	65	26.9	11.1	1.500	38.1	63.50	78	8.0	11.0
B	30	53.98	68	26.9	11.1	1.625	41.2	66.68	81	8.0	11.0
	32	53.98	68	26.9	11.1	1.750	44.4	69.85	84	8.0	11.0
	33	57.15	71	26.9	11.1	1.875	47.6	73.03	87	8.0	11.0
	35	57.15	71	26.9	11.1	2.000	50.8	79.38	97	9.5	14.3
	38	63.50	78	26.9	11.1	2.125	53.9	82.55	100	9.5	14.3
C	40	66.68	81	26.9	11.1	2.250	57.1	85.73	103	9.5	14.3
	43	69.85	84	26.9	11.1	2.375	60.3	88.90	106	9.5	14.3
	45	69.85	84	26.9	11.1	2.500	63.5	92.08	110	9.5	14.3
	48	79.38	97	9.5	14.3	2.625	66.6	95.25	113	9.5	14.3
	50	79.38	97	9.5	14.3	2.750	69.8	98.43	116	9.5	14.3
	53	82.55	100	9.5	14.3	2.875	73.0	100.01	117	9.5	14.3
D	55	85.73	103	9.5	14.3	3.000	76.2	103.19	121	9.5	14.3
	58	88.90	106	9.5	14.3	3.250	82.5	114.30	132	9.5	14.3
	60	88.90	106	9.5	14.3	3.500	88.9	120.65	138	9.5	14.3
	63	92.08	110	9.5	14.3	3.750	95.2	127.00	144	9.5	14.3
	65	95.25	113	9.5	14.3	4.000	101.6	133.35	151	9.5	14.3
E	68	99.43	116	9.5	14.3						
	70	99.43	116	9.5	14.3						
	75	103.19	121	9.5	14.3						
	80	114.30	132	9.5	14.3						
	85	120.65	138	9.5	14.3						
	90	127.00	144	9.5	14.3						
F	95	127.00	144	9.5	14.3						
	100	133.35	151	9.5	14.3						

AS-Type V

Equivalent to Johncrane V seat

CUSTOMER:	www.asinoseal.com	ASINOSEAL CO.,LTD
P.O. NO.:	Tel:+86-512-58227959	张家港爱斯迪机械密封有限公司
REF:	Fax:+86-512-58228759	
DRAWN BY:	STA'D:	Mail:sales@asinoseal.com
CHECKED:		No.265 South Chang'An Rd,Zhangjiagang ,China
APPVD:		
SCALE:	DATE:	PAGE:X/X
		TYPE & SIZE:
		AS-SV

1	2	3	4	5	6	7	8
Size/Inch	D1	D6	D7				
A	0.750	21.60	34.80	44.45			
	0.875	24.75	37.95	47.65			
	1.000	27.95	41.15	50.80			
	1.125	31.10	44.30	53.95			
	1.187	32.70	45.90	55.55			
	1.250	34.30	47.50	57.15			
	1.375	37.45	50.65	60.30			
B	1.500	40.65	53.80	63.50			
	1.625	43.80	56.95	66.65			
	1.750	47.00	60.10	69.80			
	1.875	50.15	63.25	72.95			
C	2.000	53.35	66.40	76.10			
	2.125	56.50	69.55	79.25			
	2.250	59.70	72.70	82.40			
	2.375	62.85	75.85	85.55			
	2.500	66.00	79.00	88.70			
	2.625	69.20	82.15	91.85			
D	3.000	78.00	93.50	121.00			

AS-S27

Equivalent to Vulcan 27 seat

CUSTOMER:	www.asinoseal.com	ASINOSEAL CO.,LTD
P.O. NO.:	Tel:+86-512-58227959	张家港爱斯迪机械密封有限公司
REF:	Fax:+86-512-58228759	
DRAWN BY:	STA'D:	Mail:sales@asinoseal.com
CHECKED:		No.265 South Chang'An Rd,Zhangjiagang ,China
APPVD:		
SCALE:	DATE:	PAGE:X/X
		TYPE & SIZE:
		AS-S27



Mechanical seal

弹簧式机械密封

Component seal series(Oring type seals)

		155						
Size/Metric	d	D3	D6	D7	L3	L4	L8	
A	10	10	20	14.0	18.1	15	5.5	7.0
	11	11	22	16.5	20.6	18	5.5	7.0
	12	12	22	16.5	20.6	18	5.5	7.0
	13	13	25	19.0	23.1	22	6.0	7.5
	14	14	25	19.0	23.1	22	6.0	7.5
	15	15	29	21.0	26.9	22	7.0	9.0
	16	16	29	21.0	26.9	23	7.0	9.0
	17	17	29	21.0	26.9	23	7.0	9.0
	18	18	33	25.0	30.9	24	8.0	9.5
B	19	19	33	25.0	30.9	25	8.0	9.5
	20	20	33	25.0	30.9	25	8.0	9.5
	21	21	38	30.0	35.4	28	8.0	9.5
	22	22	38	30.0	35.4	28	8.0	9.5
	23	23	38	30.0	35.4	28	8.0	9.5
	24	24	38	30.0	35.4	27	8.0	9.5
	25	25	40	33.0	38.2	27	8.5	9.5
	28	28	46	38.0	43.3	29	9.0	11.0
C	29	29	46	38.0	43.3	30	9.0	11.0
	30	30	46	38.0	43.3	30	9.0	11.0
	32	32	46	38.0	43.3	30	9.0	11.0
	33	33	50	45.0	53.5	39	11.5	13.0
	35	35	50	45.0	53.5	39	11.5	13.0
	38	38	55	52.0	60.5	39	11.5	13.0
	40	40	55	52.0	60.5	39	11.5	13.0
		155A						
Size/Metric	d	D3	D6	D7	L3	L4	L8	
D	10	10	20	17	21	15	7	8.5
	12	12	22	19	23	18	7	8.5
	14	14	25	21	25	22	7	8.5
	16	16	29	23	27	23	7	8.5
	18	18	33	27	33	24	10	12.0
	20	20	33	29	35	25	10	12.0
	22	22	38	31	37	25	10	12.0
E	24	24	38	33	39	27	10	12.0
	25	25	40	34	40	27	10	12.0
	28	28	46	37	43	29	10	12.0
	30	30	46	39	45	30	10	12.0
	32	32	46	42	48	30	10	11.5
	33	33	50	42	48	39	10	11.5
	35	35	50	44	50	39	10	11.5
	38	38	55	49	56	39	13	15.0
F	40	40	55	51	58	39	13	15.0

结构说明(Structure Description):
Equivalent to Burgmann BT-FN
锥形弹簧设计 (Conical spring design)

运行参数(Operating Limits):
温度(Temperature) -20---150°C
转速(Speed) 10m/s
压力(Pressure) 10bar
标准尺寸(Standard size) 10 - 40mm

常用材料组合(Material):
密封唇(Seal rings) 石墨, 碳化硅, 氧化铝 (Car,Sic,Saic,TC)
辅助密封(Secondary seals) 丁腈橡胶, 乙丙橡胶, 氟橡胶等 (NBR,EPDM,Viton etc.)
金属件(Secondary seal and metal parts): 304,316

CUSTOMER:	www.asinoseal.com	ASINOSEAL CO.,LTD
P.O. NO.:	Tel:+86-512-58227959	张家港爱斯迪密封有限公司
REF:	Fax:+86-512-58228759	
DRAWN BY:	STA'D	Installation Drawing
CHECKED:		TYPE & SIZE:
APPVD:		AS-R155&155A
SCALE:	DATE:	PAGE:X/X





锥形弹簧式机械密封
Component seal series (Conical spring type seals)

Size/Metric	d	D3	D6	D7	D8	L3	L31	L4	L8
10	10	19	17	21	3	15.5	15.5	10.0	17.5
12	12	21	19	23	3	16.0	15.5	10.0	17.5
14	14	23	21	25	3	16.5	15.5	10.0	17.5
16	16	26	23	27	3	18.0	17.5	10.0	17.5
18	18	29	27	33	3	19.5	18.5	11.5	19.5
20	20	31	29	35	3	22.0	20.0	11.5	19.5
22	22	33	31	37	3	21.5	21.5	11.5	19.5
24	24	35	33	39	3	23.5	23.0	11.5	19.5
25	25	36	34	40	3	26.5	24.5	11.5	19.5
28	28	40	37	43	3	26.5	24.5	11.5	19.5
30	30	43	39	45	3	26.5	24.5	11.5	19.5
32	32	46	42	48	3	28.5	28.0	11.5	19.5
33	33	47	42	48	3	28.5	-	11.5	19.5
35	35	49	44	50	3	28.5	28.0	11.5	19.5
38	38	53	49	56	4	33.5	31.0	14.0	22.0
40	40	56	51	58	4	36.0	34.0	14.0	22.0
43	43	59	54	61	4	38.5	-	14.0	22.0
45	45	61	56	63	4	39.5	36.5	14.0	22.0
48	48	64	59	66	4	46.0	42.0	14.0	22.0
50	50	66	62	70	4	45.0	43.0	15.0	23.0
53	53	69	65	73	4	47.0	-	15.0	23.0
55	55	71	67	75	4	49.0	47.0	15.0	23.0
58	58	76	70	78	4	55.0	50.0	15.0	23.0
60	60	78	72	80	4	55.0	51.0	15.0	23.0
63	63	83	75	83	4	55.0	-	15.0	23.0
65	65	84	77	85	4	55.0	52.0	15.0	23.0
68	68	88	81	90	4	55.0	53.0	18.0	26.0
70	70	90	83	92	4	57.0	54.0	18.0	26.0
75	75	98	88	97	4	62.0	55.0	18.0	26.0
80	80	100	95	105	4	61.8	58.0	18.2	26.2

结构说明 (Structure Description):
Equivalent to Burgmann M3N Seal
锥形弹簧密封 (Conical spring design)

运行参数 (Operating Limits):
温度 (Temperature): -20---180°C
转速 (Speed): 15m/s
压力 (Pressure): 10bar
标准尺寸 (Standard size): 10 - 80mm

常用材料组合 (Material):
密封环 (Seal ring): 石墨, 碳化硅, 碳化钨 (Car, Sic, Sic, Tc)
辅助密封 (Secondary seals): 丁腈橡胶, 乙丙橡胶, 氟橡胶等 (NBR, EPDM, Viton etc.)
金属弹簧 (Spring and metal parts): 304, 316, HAST.C

CUSTOMER:	www.asinoseal.com	ASINSEAL CO.,LTD 张家港爱斯诺机械密封有限公司
P.O. NO.:	Tel:+86-512-58227959 Fax:+86-512-58228759	
REF:	Mail:sales@asinoseal.com	Installation Drawing
DRAWN BY:	No.265 South Chang'An Rd,Zhangjiagang,China	
CHECKED:	STA'D:	TYPE & SIZE: AS-R3N
APP'VD:	DATE:	
SCALE:	PAGE:X/X	





锥形弹簧式机械密封
Component seal series (Conical spring type seals)

Size/Metric	d	D3	D6	D7	D8	L2	L31	L4	L5
10	10	20	17	21	3	16.9	-	10.0	17.5
12	12	22	19	23	3	17.4	-	10.0	17.5
14	14	24	21	25	3	17.4	16.5	10.0	17.5
16	16	26	23	27	3	19.5	16.5	10.0	17.5
18	18	31	27	33	3	20.5	18.0	11.5	19.5
20	20	34	29	35	3	22.0	19.0	11.5	19.5
22	22	36	31	37	3	23.5	20.5	11.5	19.5
24	24	38	33	39	3	25.0	22.0	11.5	19.5
25	25	39	34	40	3	26.5	23.5	11.5	19.5
28	28	42	37	43	3	26.5	24.5	11.5	19.5
30	30	44	39	45	3	25.0	24.5	11.5	19.5
32	32	46	42	48	3	28.5	28.0	11.5	19.5
33	33	47	42	48	3	-	-	11.5	19.5
35	35	49	44	50	3	28.5	28.0	11.5	19.5
38	38	54	49	56	4	32.2	31.0	14.0	22.0
40	40	56	51	58	4	34.7	34.0	14.0	22.0
43	43	59	54	61	4	-	-	14.0	22.0
45	45	61	56	63	4	39.2	36.5	14.0	22.0
48	48	64	59	66	4	44.7	42.0	14.0	22.0
50	50	66	62	70	4	45.7	43.0	15.0	23.0
53	53	69	65	73	4	-	-	15.0	23.0
55	55	71	67	75	4	49.0	47.0	15.0	23.0
58	58	78	70	78	4	52.0	50.0	15.0	23.0
60	60	79	72	80	4	53.0	51.0	15.0	23.0
63	63	83	75	83	4	-	-	15.0	23.0
65	65	85	77	85	4	54.3	52.0	15.0	23.0
68	68	88	81	90	4	55.3	52.7	18.0	26.0
70	70	90	83	92	4	56.3	54.0	18.0	26.0
75	75	98	88	97	4	56.3	54.0	18.0	26.0
80	80	103	95	105	4	59.3	58.0	18.2	26.2

结构说明 (Structure Description):
Equivalent to Burgmann M37 & M37G seal
锥形弹簧密封 (Conical spring design)

运行参数 (Operating Limits):
温度 (Temperature): -20---180°C
转速 (Speed): 15m/s
压力 (Pressure): 10bar
标准尺寸 (Standard sizes): 10 - 80mm

常用材料组合 (Material):
密封环 (Seal ring): 石墨, 碳化硅, 氧化铝 (Car, Sic, Saic, Tc)
辅助密封 (Secondary seals): 丁腈橡胶, 乙丙橡胶, 氟橡胶等 (NBR, EPDM, Viton etc.)
金属零件 (Spring and metal parts): 304, 316, HAST C

CUSTOMER:	www.asinoseal.com	ASINOSEAL CO.,LTD
P.D. NO.:	Tel:+86-512-58227959	张家港爱斯盾机械有限公司
REF:	Fax:+86-512-58228759	
DRAWN BY:	STA'D: Mail:sales@asinoseal.com	Installation Drawing
CHECKED:	No.265 South Chang'An Rd,Zhangjiagang ,China	TYPE & SIZE:
APPVD:		AS-R37&R37G
SCALE:	DATE:	PAGE:X/X





小弹簧式机械密封
Component seal series (Multiple spring type seals)

Size/Inch	d	D3	D6	D7	L3	L4
0.500	12.7	26.19	14.0	25.60	20.62	7.92
0.625	15.8	30.15	17.5	31.95	19.05	10.31
0.750	19.0	33.32	21.0	35.12	22.23	10.31
0.875	22.2	36.50	24.0	38.30	23.80	10.31
1.000	25.4	39.67	27.5	41.48	25.40	11.10
1.125	28.5	42.85	30.5	44.65	26.97	11.10
1.250	31.7	47.63	33.5	47.83	26.97	11.10
1.375	34.9	50.80	37.0	51.00	28.58	11.10
1.500	38.1	53.98	40.0	54.18	28.58	11.10
1.625	41.2	60.33	43.5	60.53	34.93	12.70
1.750	44.4	63.50	46.5	63.70	34.93	12.70
1.875	47.6	66.68	49.5	66.88	34.93	12.70
2.000	50.8	69.85	53.0	70.05	34.93	12.70
2.125	53.9	76.20	56.0	76.40	42.85	14.27
2.250	57.1	79.38	59.0	79.58	42.85	14.27
2.375	60.3	82.55	62.5	82.75	42.85	14.27
2.500	63.5	85.73	65.5	85.93	42.85	14.27
2.625	66.6	88.90	68.5	85.93	42.85	15.88
2.750	69.8	92.08	72.0	89.10	42.85	15.88
2.875	73.0	95.25	75.0	95.45	42.85	15.88
3.000	76.2	96.82	78.5	98.63	42.85	15.88
3.125	79.3	100.00	81.5	101.80	42.85	19.84
3.250	82.5	104.78	84.5	104.98	42.85	19.84
3.375	85.7	107.95	88.0	108.15	42.85	19.84
3.500	88.9	111.13	91.0	111.33	42.85	19.84
3.625	92.0	114.30	94.0	114.50	42.85	19.84
3.750	95.2	117.48	97.5	117.68	42.85	19.84
3.875	98.4	120.65	100.5	120.85	42.85	19.84
4.000	101.6	123.83	103.5	124.03	42.85	19.84

结构说明:
Equivalent to AES M01S, Johncrane 8-1 Seal
小弹簧结构, 非平衡型密封 (Multiple spring design, Unbalanced seal)

运行参数(Operating Limits):
温度(Temperature): -20---180°C
转速(Speed): 15m/s
压力(Pressure): 12bar
标准尺寸(Standard size): 0.5" - 4.0"

常用材料组合(Material):
密封唇(Seat ring): 石墨, 碳化硅, 陶瓷, 氧化铝 (Car, Sic, Ssic, Ceramic, TC)
辅助密封(Secondary seals): 丁腈橡胶, 乙丙橡胶, 氟橡胶等 (NBR, EPDM, Viton etc.)
金属衬套(Spring and metal parts): 304, 316, HAST-C

CUSTOMER:	www.asinoseal.com	ASINOSEAL CO.,LTD
P.O. NO.:	Tel:+86-512-58227959	张家港爱森机械密封有限公司
REF:	Fax:+86-512-58228759	Installation Drawing
DRAWN BY:	STA'D: Mail:sales@asinoseal.com	TYPE & SIZE:
CHECKED:	No.265 South Chang'An	AS-R8-1
APPVD:	Rd,Zhangjiogang ,China	
SCALE:	DATE:	PAGE:X/X





小弹簧式机械密封
Component seal series (Multiple spring type seals)

Size/Inch	d	D3	D6	D7	L3	L4
0.500	12.7	23.80	13.4	25.40	23.80	7.9
0.625	15.8	26.97	16.6	31.75	23.80	10.3
0.750	19.0	30.15	19.7	34.93	23.80	10.3
0.875	22.2	32.32	22.9	38.10	23.80	10.3
1.000	25.4	36.50	26.1	41.28	25.40	11.1
1.125	28.5	39.67	29.3	44.45	25.40	11.1
1.250	31.7	42.85	32.4	47.63	25.40	11.1
1.375	34.9	49.20	35.6	50.80	34.93	11.1
1.500	38.1	49.50	38.8	53.98	28.58	11.1
1.625	41.2	57.15	42.4	60.33	29.36	12.7
1.750	44.4	58.72	45.5	63.50	34.93	12.7
1.875	47.6	63.50	48.7	66.68	34.93	12.7
2.000	50.8	66.68	51.9	69.85	34.93	12.7
2.125	53.9	71.42	55.0	76.20	42.85	14.3
2.250	57.1	72.21	58.2	79.38	34.93	14.3
2.375	60.3	76.20	61.4	82.55	42.85	14.3
2.500	63.5	79.38	64.6	85.73	34.93	14.3
2.625	66.6	82.55	67.7	85.73	42.85	15.9
2.750	69.8	85.73	70.9	88.90	42.85	15.9
2.875	73.0	88.90	74.1	95.25	42.85	15.9
3.000	76.2	92.08	77.3	98.43	42.85	15.9
3.125	79.3	95.25	80.5	101.60	42.85	19.8
3.250	82.5	98.43	83.6	104.78	42.85	19.8
3.375	85.7	101.60	86.8	107.95	42.85	19.8
3.500	88.9	104.78	90.0	111.13	42.85	19.8
3.625	92.0	107.95	93.1	114.30	42.85	19.8
3.750	95.2	111.13	96.3	117.48	42.85	19.8
3.875	98.4	114.30	99.5	120.65	42.85	19.8
4.000	101.6	117.48	102.7	123.83	42.85	19.8

结构说明(Structure Description):
Equivalent to AES M05S, Johncrane 8-1T
小弹簧结构, 多平衡圈设计 (Multiple spring design, Unbalanced seal)

运行参数(Operating Limits):
温度(Temperature): -20---180°C
转速(Speed): 15m/s
压力(Pressure): 12bar
标准尺寸(Standard size): 0.5" - 4.0"

常用材料组合(Material):
密封环(Seal rings): 石墨, 碳化硅, 氧化铝 (Car, Sic, Ssic, Tc)
辅助密封(Secondary seals): 丁腈橡胶, 乙丙橡胶, 氟橡胶等 (NBR, EPDM, Viton etc.)
金属衬套(Spring and metal parts): 304, 316, HAST-C

CUSTOMER:	www.asinoseal.com	ASINOSEAL CO.,LTD
P.O. NO.:	Tel:+86-512-58227959	张家港爱斯诺机械密封有限公司
REF:	Fax:+86-512-58228759	
DRAWN BY:	STA'D:	Installation Drawing
CHECKED:		TYPE & SIZE:
APPVD:		AS-R8-1T
SCALE:	DATE:	PAGE: X/X





小弹簧式机械密封
Component seal series (Multiple spring type seals)

Size/Inch	d	d1	D3	D6	D7	L3	L4	L65
1.000	25.4	22.2	39.67	24.0	38.30	33.32	10.31	8.70
1.125	28.5	25.4	42.85	27.5	41.48	34.93	11.10	8.70
1.250	31.7	28.5	47.63	30.5	44.65	34.93	11.10	7.90
1.375	34.9	28.5	50.80	30.5	44.65	36.50	11.10	8.70
1.500	38.1	31.7	53.98	33.5	47.83	36.50	11.10	8.70
1.625	41.2	34.9	60.33	37.0	51.00	44.45	11.10	11.10
1.750	44.4	38.1	63.50	40.0	54.18	44.45	11.10	11.10
1.875	47.6	41.2	66.68	43.5	60.53	44.45	12.70	11.10
2.000	50.8	44.4	69.85	46.5	63.70	44.45	12.70	11.10
2.125	53.9	47.6	76.20	49.5	66.88	52.37	12.70	12.70
2.250	57.1	50.8	79.38	53.0	70.05	52.37	12.70	12.70
2.375	60.3	53.9	82.55	56.0	76.40	52.37	14.27	12.70
2.500	63.5	57.1	85.73	59.0	79.58	52.37	14.27	12.70
2.625	66.6	60.3	88.90	62.5	82.75	52.37	14.27	12.70
2.750	69.8	63.5	92.08	65.5	85.93	52.37	14.27	12.70
2.875	73.0	66.6	95.25	68.5	85.93	52.37	15.88	12.70
3.000	76.2	69.8	96.82	72.0	89.10	52.37	15.88	12.70
3.125	79.3	73.0	100.00	75.0	95.45	52.37	15.88	14.30
3.250	82.5	76.2	104.78	78.5	98.63	52.37	15.88	14.30
3.375	85.7	79.3	107.95	81.5	101.80	52.37	19.84	14.30
3.500	88.9	82.5	111.13	84.5	104.98	52.37	19.84	14.30
3.625	92.0	85.7	114.30	88.0	108.15	52.37	19.84	14.30
3.750	95.2	88.9	117.48	91.0	111.33	52.37	19.84	14.30
3.875	98.4	92.0	120.65	94.0	114.50	52.37	19.84	14.30
4.000	101.6	95.2	123.83	97.5	117.68	52.37	19.84	14.30

结构说明(Structure Description):
Equivalent to AES M02S, Johncrane 8B1 Seal
小弹簧密封, 平衡型密封 (Multiple spring design + balanced seal)

运行参数(Operating Limits):
温度(Temperature): -20---180°C
转速(Speed): 15m/s
压力(Pressure): 25bar
标准尺寸(Standard size): 1" - 4.0"

常用材料组合(Material):
密封环副(Seal ring): 石墨, 碳化硅, 陶瓷, 氧化铝 (Car, Sic, Ssic, Ceramic, Tci)
辅助密封(Secondary seals): 丁腈橡胶, 乙丙橡胶, 氟橡胶等 (NBR, EPDM, Viton etc.)
金属衬套(Spring and metal parts): 304, 316, HAST C

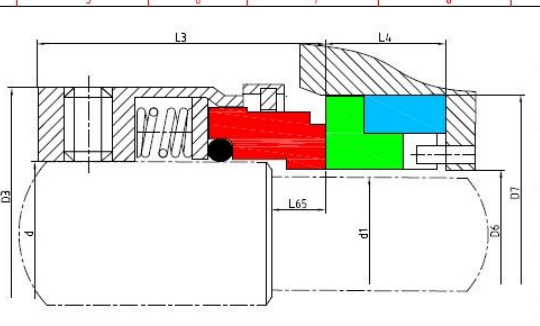
CUSTOMER:	www.asinoseal.com	ASINOSEAL CO.,LTD
P.O. NO. :	Tel:+86-512-58227959	张家港爱斯迪机械密封有限公司
REF:	Fax:+86-512-58228759	
DRAWN BY:	STA'D:	Installation Drawing
CHECKED:		TYPE & SIZE:
APPVD:		AS-R8B1
SCALE:	DATE:	PAGE: X / X





小弹簧式机械密封 Component seal series (Multiple spring type seals)

	1	2	3	4	5	6	7	8
Size/Inch	d	d1	D3	D6	D7	L3	L4	L65
A 1.000	25.4	22.20	36.50	22.9	38.10	33.32	10.3	8.7
1.125	28.5	25.40	39.67	26.1	41.28	34.93	11.1	8.7
1.250	31.7	28.50	42.85	29.3	44.45	34.93	11.1	8.7
1.375	34.9	28.50	49.20	29.3	44.45	42.85	11.1	8.7
1.500	38.1	31.70	49.20	32.4	47.63	36.50	11.1	8.7
1.625	41.2	34.90	57.15	35.6	50.80	40.46	11.1	11.1
1.750	44.4	38.10	58.72	38.8	53.98	44.45	11.1	11.1
1.875	47.6	41.20	63.50	42.4	60.33	44.45	12.7	11.1
2.000	50.8	44.40	66.68	45.5	63.50	44.45	12.7	11.1
2.125	53.9	47.60	71.42	48.7	66.68	52.37	12.7	12.7
2.250	57.1	50.80	72.21	51.9	69.85	44.45	12.7	12.7
2.375	60.3	53.90	76.20	55.0	76.20	52.37	14.3	12.7
2.500	63.5	57.10	79.38	58.2	79.38	44.45	14.3	12.7
2.625	66.6	60.30	82.55	61.4	82.55	52.37	14.3	12.7
2.750	69.8	63.50	85.73	64.6	85.73	52.37	14.3	12.7
2.875	73.0	66.60	88.90	67.7	85.73	52.37	15.9	12.7
3.000	76.2	69.80	92.08	70.9	88.90	52.37	15.9	12.7
3.125	79.3	73.00	95.25	74.1	95.25	52.37	15.9	14.3
3.250	82.5	76.20	98.43	77.3	98.43	52.37	15.9	14.3
3.375	85.7	79.30	101.60	80.5	101.60	52.37	19.8	14.3
3.500	88.9	82.50	104.78	83.6	104.78	52.37	19.8	14.3
3.625	92.0	85.70	107.95	86.8	107.95	52.37	19.8	14.3
3.750	95.2	88.90	111.13	90.0	111.13	52.37	19.8	14.3
3.875	98.4	92.00	114.30	93.1	114.30	52.37	19.8	14.3
4.000	101.6	95.20	117.48	96.3	117.48	52.37	19.8	14.3

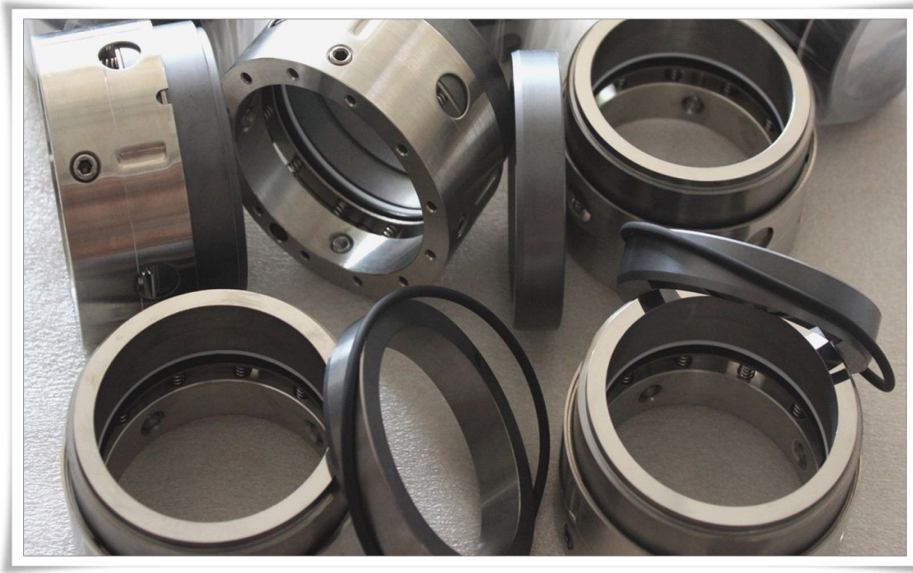


结构说明(Structure Description):
Equivalent to Johncrane 881T seal
小弹簧结构, 平衡型密封 (Multiple spring design + balanced seal)

运行参数(Operating Limits):
温度(Temperature): -20---180°C
转速(Speed): 15m/s
压力(Pressure): 25bar
标准尺寸(Standard size): 1" - 4.0"

常用材料组合(Material):
密封环(Signet ring): 石墨, 碳化硅, 陶瓷, 氧化铝 (Car, Sic, Ssic, Ceramic, Tc)
辅助密封(Secondary seals): 丁腈橡胶, 乙丙橡胶, 氟橡胶等 (NBR, EPDM, Viton etc.)
金属衬套(Spring and metal parts): 304, 316, HAST C

CUSTOMER:	www.asinoseal.com	ASINOSEAL CO.,LTD
P.O. NO.:	Tel:+86-512-58227959	张家港爱斯迪机械密封有限公司
REF:	Fax:+86-512-58228759	
DRAWN BY:	STA'D:	Installation Drawing
CHECKED:		TYPE & SIZE:
APPVD:		AS-R8BIT
SCALE:	DATE:	PAGE:X/X





小弹簧式机械密封
Component seal series (Multiple spring type seals)

Size/Metric	d1	d	D3	D6	D7	L3	L4	L8	L65
14	14	18	32	21	25	30.5	12.0	18.5	6.0
16	16	20	34	23	27	30.5	12.0	18.5	6.0
18	18	22	36	27	33	31.5	13.5	20.5	6.5
20	20	24	38	29	35	31.5	13.5	20.5	6.5
22	22	26	40	31	37	31.5	13.5	20.5	6.5
24	24	28	42	33	39	34.2	13.3	20.3	6.7
25	25	30	44	34	40	34.5	13.0	20.0	7.0
28	28	33	47	37	43	37.5	12.5	19.5	7.5
30	30	35	49	39	45	38.0	12.0	19.0	8.0
32	32	38	54	42	48	38.0	12.0	19.0	8.0
33	33	38	54	42	48	38.0	12.0	19.0	8.0
35	35	40	56	44	50	38.0	12.0	19.0	8.0
38	38	43	59	49	56	39.5	13.0	20.0	10.0
40	40	45	61	51	58	39.5	13.0	20.0	10.0
43	43	48	64	54	61	39.5	13.0	20.0	10.0
45	45	50	66	56	63	39.5	13.0	20.0	10.0
48	48	53	69	59	66	39.5	13.0	20.0	10.0
50	50	55	71	62	70	44.0	13.5	20.5	11.5
53	53	58	78	65	73	44.0	13.5	20.5	11.5
55	55	60	80	67	75	44.0	13.5	20.5	11.5
58	58	63	83	70	78	49.0	13.5	20.5	11.5
60	60	65	85	72	80	49.0	13.5	20.5	11.5
63	63	68	88	75	83	49.0	13.5	20.5	11.5
65	65	70	90	77	85	49.0	13.5	20.5	11.5
70	70	75	95	83	92	55.0	14.5	21.5	13.5
75	75	80	104	88	97	55.0	14.5	21.5	13.5
80	80	85	109	95	105	55.0	15.0	22.0	13.0
85	85	90	114	100	110	60.0	15.0	22.0	13.0
90	90	95	119	105	115	60.0	15.0	22.0	13.0
95	95	100	124	110	120	60.0	15.0	22.0	13.0
100	100	105	129	115	125	60.0	15.0	22.0	13.0

结构说明(Structure Description):
Equivalent to AES M84S,Burgmann BT-C5,KB,Johncrane 58B
小弹簧结构,平衡型密封 (Multiple spring design + balanced seal)

运行参数(Operating Limits):
温度(Temperature): -20---180°C
转速(Speed): 15m/s
压力(Pressure): 25bar
标准尺寸(Standard size): 14 - 100mm

常用材料组合(Material):
密封环(seal ring): 石墨, 碳化硅, 陶瓷, 氧化铝 (Car,Sic,Ssic,Ceramic,Ti)
辅助密封(Secondary seals): 丁腈橡胶, 乙丙橡胶, 氟橡胶等 (NBR,EPDM,Viton etc.)
金属衬套(Spring and metal parts): 304,316,HAST.C

CUSTOMER:	www.asinoseal.com	ASINOSEAL CO.,LTD
P.O. NO.:	Tel:+86-512-58227959	张家港爱斯迪机械密封有限公司
REF:	Fax:+86-512-58228759	
DRAWN BY:	STA'D:	Installation Drawing
CHECKED:		TYPE & SIZE:
APPVD:		AS-R58B
SCALE:	DATE:	PAGE:X/X





小弹簧式机械密封
Component seal series (Multiple spring type seals)

Size/Metric	d	D3	D6	D7	L3	L4	L8
14	14	24	21	25	23.0	12.0	12.8
16	16	26	23	27	23.0	12.0	12.8
18	18	32	27	33	24.0	13.5	14.5
20	20	34	29	35	24.0	13.5	14.5
22	22	36	31	37	24.0	13.5	14.5
24	24	38	33	39	26.7	13.3	14.3
25	25	39	34	40	27.0	13.0	14.0
28	28	42	37	43	30.0	12.5	13.0
30	30	44	39	45	30.5	12.0	13.0
32	32	46	42	48	30.5	12.0	13.0
33	33	47	42	48	30.5	12.0	13.0
35	35	49	44	50	30.5	12.0	13.0
38	38	54	49	56	32.0	13.0	14.0
40	40	56	51	58	32.0	13.0	14.0
43	43	59	54	61	32.0	13.0	14.0
45	45	61	56	63	32.0	13.0	14.0
48	48	64	59	66	32.0	13.0	14.0
50	50	66	62	70	34.0	13.5	14.5
53	53	69	65	73	34.0	13.5	14.5
55	55	71	67	75	34.0	13.5	14.5
58	58	78	70	78	39.0	13.5	14.2
60	60	80	72	80	39.0	13.5	14.2
63	63	83	75	83	39.0	13.5	14.2
65	65	85	77	85	39.0	13.5	14.2
68	68	88	81	90	39.0	13.5	14.2
70	70	90	83	92	45.0	14.5	15.2
75	75	95	88	97	45.0	14.5	15.2
80	80	104	95	105	45.0	15.0	15.7
85	85	109	100	110	45.0	15.0	15.7
90	90	114	105	115	50.0	15.0	15.7
95	95	119	110	120	50.0	15.0	15.7
100	100	124	115	125	50.0	15.0	15.7

结构说明 (Structure Description):
Equivalent to AES M03S, Burgmann BT-C5, KU, Johncrane 58U
小弹簧结构, 平衡角型设计 (Multiple spring design, Unbalanced seal)

运行参数 (Operating Limits):
温度 (Temperature): -20---180°C
转速 (Speed): 15m/s
压力 (Pressure): 12bar
标准尺寸 (Standard size): 1/4 - 100mm

常用材料组合 (Material):
密封环 (Seal ring): 石墨, 碳化硅, 陶瓷, 氧化铝 (Car, Sic, Sic, Ceramic, TC)
辅助密封 (Secondary seals): 丁腈橡胶, 乙丙橡胶, 氟橡胶等 (NBR, EPDM, Viton etc.)
金属件 (Spring and metal parts): 304, 316, HAST C

CUSTOMER:	www.asinoseal.com	ASINOSEAL CO.,LTD
P.O. NO.:	Tel:+86-512-58227959	张家港爱斯诺机械有限公司
REF:	Fax:+86-512-58228759	
DRAWN BY:	STA'D:	Installation Drawing
CHECKED:		TYPE & SIZE:
APPVD:		AS-R58U
SCALE:	DATE:	PAGE: X / X





波形弹簧式机械密封 Component seal series (Wave spring type seals)

	1		2		3		4			
	Size (d)		D3		D7		L3			L4
	Metric	Inch	Metric	Inch	Metric	Inch	Metric	Inch	Metric	Inch
A	15.8	0.625	27.0	1.063	28.5	1.125	19.1	0.750	6.3	0.250
	16.0	0.630	27.0	1.063	28.5	1.125	19.1	0.750	6.3	0.250
	19.1	0.750	30.0	1.181	31.7	1.250	19.1	0.750	6.3	0.250
	24.0	0.945	34.1	1.343	35.4	1.396	19.1	0.750	7.6	0.300
	28.0	1.102	40.0	1.575	42.0	1.654	19.1	0.750	7.6	0.300
B	28.6	1.125	39.5	1.555	41.2	1.625	19.1	0.750	7.6	0.300
	30.0	1.181	41.0	1.614	42.7	1.681	19.1	0.750	7.6	0.300
	31.7	1.250	42.4	1.669	44.2	1.742	19.1	0.750	7.6	0.300
	32.0	1.260	42.4	1.669	44.4	1.750	19.1	0.750	7.6	0.300
	35.0	1.375	45.5	1.791	47.6	1.875	19.1	0.750	7.6	0.300
	38.0	1.500	51.8	2.039	53.9	2.125	21.1	0.831	8.1	0.319
C	44.4	1.750	58.2	2.291	60.3	2.375	21.1	0.831	8.1	0.319
	47.6	1.875	61.4	2.417	63.5	2.500	21.1	0.831	8.1	0.319
	50.0	1.969	61.9	2.437	63.9	2.518	21.1	0.831	8.1	0.319
	50.8	2.000	64.6	2.543	66.6	2.625	22.1	0.870	9.6	0.378
	53.9	2.215	71.0	2.795	73.0	2.875	22.1	0.870	9.6	0.378
	54.0	2.215	71.0	2.795	73.9	2.911	22.1	0.870	9.6	0.378
D	54.6	2.150	72.0	2.835	75.0	2.953	22.1	0.870	9.6	0.378
	55.0	2.165	72.0	2.835	75.0	2.953	22.1	0.870	9.6	0.378
	63.0	2.480	79.3	3.122	83.0	3.268	25.8	1.016	9.1	0.358
	63.5	2.500	79.3	3.122	88.9	3.500	25.8	1.016	9.1	0.358
	69.8	2.750	88.9	3.500	95.2	3.750	25.8	1.016	9.1	0.358
E	73.0	2.875	94.0	3.701	98.4	3.875	25.8	1.016	9.1	0.358
	75.0	2.953	96.0	3.780	100.4	3.954	25.8	1.016	9.1	0.358

结构说明(Structure Description):
Equivalent to AES W01(Raten 7K,Vulcan 1688,have similar series which can replace AES W02,W03,W04
波形弹簧密封 (Wave spring design)

运行参数(Operating Limits):
温度(Temperature): -40---200°C
线速度(Speed): 18m/s
压力(Pressure): 8bar
标准尺寸(Standard size): 15.8 - 75mm

常用材料组合(Material):
密封环(seal ring): 石墨, 碳化硅, 氧化铝 (Cer, Sic, Ssic, TC)
辅助密封(Secondary seal): 丁腈橡胶, 乙丙橡胶, 氟橡胶等 (NBR, EPDM, Viton etc)
弹簧材料(Spring and metal parts): 304, 316, HAST-C

CUSTOMER:	www.asinoseal.com	ASINOSEAL CO.,LTD 张家港爱斯诺机械密封有限公司
P.O. NO.:	Tel:+86-512-58227959	
REF:	Fax:+86-512-58228759	Installation Drawing
DRAWN BY:	Mail:sales@asinoseal.com	
CHECKED:	No.265 South Chang'An	TYPE & SIZE: AS-RW01
APPV:	Rd,Zhangjiogang_China	
SCALE:	DATE:	PAGE:X/X





波形弹簧式机械密封
Component seal series (Wave spring type seals)

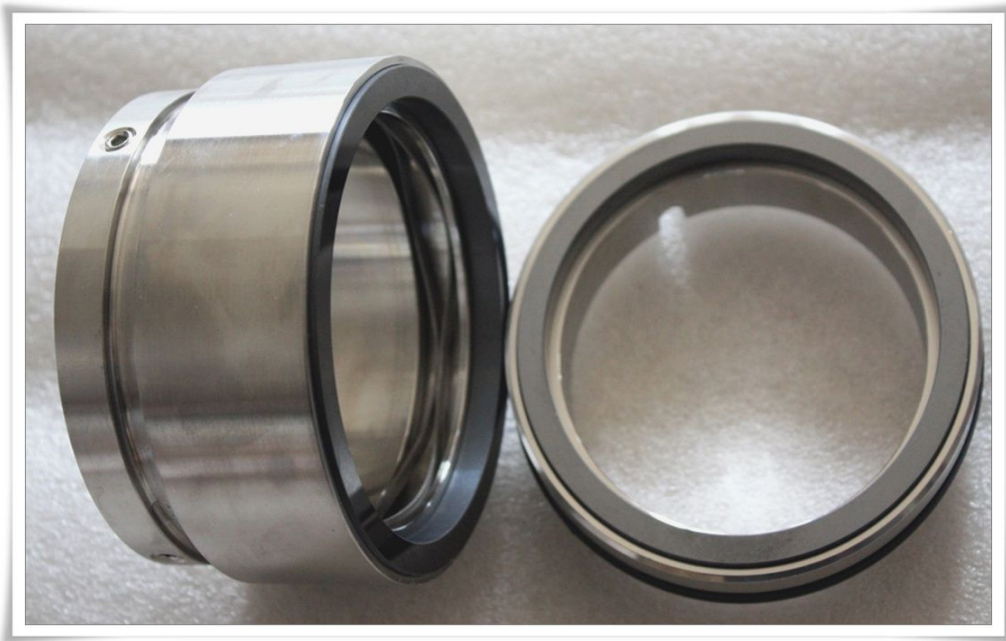
1	2	3	4	5	6	7	8				
Size/Metric	d	D3	D6	D7	D8	L3	L4	L5	F	M	
A	18	18	32	27	33	3	30.5	7.0	15.0	3.0	M4
	20	20	34	29	35	3	30.5	7.0	15.0	3.0	M4
	22	22	36	31	37	3	30.5	7.0	15.0	3.0	M4
	24	24	38	33	39	3	33.0	7.0	15.0	3.5	M5
	25	25	39	34	40	3	33.0	7.0	15.0	3.5	M5
	28	28	42	37	43	3	35.5	7.0	15.0	3.5	M5
	30	30	44	39	45	3	35.5	7.0	15.0	3.5	M5
	32	32	47	42	48	3	35.5	7.0	15.0	3.5	M5
B	33	33	47	42	48	3	35.5	7.0	15.0	3.5	M5
	35	35	49	44	50	3	35.5	7.0	15.0	3.5	M5
	38	38	54	49	56	4	37.0	8.0	16.0	4.0	M5
	40	40	56	51	58	4	37.0	8.0	16.0	4.0	M5
	43	43	59	54	61	4	37.0	8.0	16.0	4.0	M5
	45	45	61	56	63	4	37.0	8.0	16.0	4.0	M5
C	48	48	64	59	66	4	37.0	8.0	16.0	4.0	M5
	50	50	66	62	70	4	38.0	9.5	17.0	4.5	M6
	53	53	69	65	73	4	38.0	9.5	17.0	4.5	M6
	55	55	71	67	75	4	38.0	9.5	17.0	4.5	M6
	58	58	78	70	78	4	42.0	10.5	18.0	4.5	M6
	60	60	80	72	80	4	42.0	10.5	18.0	4.5	M6
D	63	63	83	75	83	4	42.0	10.5	18.0	4.5	M6
	65	65	85	77	85	4	42.0	10.5	18.0	4.5	M6
	68	68	88	81	90	4	41.5	11.0	18.5	4.5	M6
	70	70	90	83	92	4	48.5	11.5	19.0	5.0	M8
	75	75	99	88	97	4	48.5	11.5	19.0	5.0	M8
	80	80	104	95	105	4	48.5	11.5	19.0	5.0	M8
E	85	85	109	100	110	4	48.5	11.5	19.0	5.0	M8
	90	90	114	105	115	4	52.0	13.0	20.5	5.5	M8
	95	95	119	110	120	4	52.0	13.0	20.5	5.5	M8
F	100	100	124	115	125	4	52.0	13.0	20.5	5.5	M8

结构说明(Structure Description):
Equivalent to AES M010, Burgmann HJ92N
波形弹簧密封, 平衡型密封 (Wave spring design - balanced seal)

运行参数(Operating Limits):
温度(Temperature): -20---180°C
线速(Speed): 15m/s
压力(Pressure): 25bar
标准尺寸(Standard size): 18 - 100mm

常用材料组合(Material):
密封唇(Seal ring): 石墨, 碳化硅, 氧化铝 (Car, Sic, Sic, TC)
辅助密封(Secundary seals): 丁腈橡胶, 乙丙橡胶, 氟橡胶等 (NBR, EPDM, Viton etc)
金属衬套(Spring and metal parts): 304, 316, HAST C

CUSTOMER:	www.asinoseal.com	ASINOSEAL CO.,LTD 张家港爱斯派机械密封有限公司
P.O. NO.:	Tel:+86-512-58227959	
REF:	Fax:+86-512-58228759	Installation Drawing TYPE & SIZE: AS-R92N
DRAWN BY:	STA'D:	
CHECKED:	No.265 South Chang'An Rd,Zhangjiagang ,China	
APPVD:		
SCALE:	DATE:	PAGE:X/X





波形弹簧式机械密封 Component seal series (Wave spring type seals)

	1	2			3			4		
Size: Metric	d	D1	D2	D3	d1	L1	L2	L3	L4	M
A	14	25	21	25	3	25.0	10.0	17.5	6	M5
	16	27	23	27	3	25.0	10.0	17.5	6	M5
	18	33	27	33	3	26.0	11.5	19.5	7	M5
	20	35	29	35	3	26.0	11.5	19.5	7	M5
	22	37	31	37	3	26.0	11.5	19.5	7	M5
	24	39	33	39	3	28.5	11.5	19.5	8	M5
	25	40	34	40	3	28.5	11.5	19.5	8	M5
	28	43	37	43	3	31.0	11.5	19.5	8	M6
B	30	45	39	45	3	31.0	11.5	19.5	8	M6
	32	47	42	48	3	31.0	11.5	19.5	8	M6
	33	48	42	48	3	31.0	11.5	19.5	8	M6
	35	50	44	50	3	31.0	11.5	19.5	8	M6
	38	55	49	56	4	31.0	14.0	22.0	8	M6
	40	57	51	58	4	31.0	14.0	22.0	8	M6
	43	60	54	61	4	31.0	14.0	22.0	8	M6
C	45	62	56	63	4	31.0	14.0	22.0	8	M6
	48	65	59	66	4	31.0	14.0	22.0	8	M6
	50	67	62	70	4	32.5	15.0	23.0	8	M6
	53	70	65	73	4	32.5	15.0	23.0	8	M6
	55	72	67	75	4	32.5	15.0	23.0	8	M6
	58	79	70	78	4	37.5	15.0	23.0	9	M8
D	60	81	72	80	4	37.5	15.0	23.0	9	M8
	63	84	75	83	4	37.5	15.0	23.0	9	M8
	65	86	77	85	4	37.5	15.0	23.0	9	M8
	68	89	81	90	4	34.5	18.0	26.0	9	M8
	70	91	83	92	4	42.0	18.0	26.0	9	M8
	75	99	88	97	4	42.0	18.0	26.0	10	M8
	80	104	95	105	4	41.8	18.2	26.2	10	M8
	85	109	100	110	4	41.8	18.2	26.2	10	M8
E	90	114	105	115	4	46.8	18.2	26.2	10	M8
	95	119	110	120	4	47.8	17.2	25.2	10	M8
F	100	124	115	125	4	47.8	17.2	25.2	10	M8

结构说明 (Structure Description):
Equivalent to Burgmann M7N seal
波簧式设计, 亦可选小弹簧结构 (Wave spring design, Multiple spring design is also available)
弹簧度可加工, 为带泵送螺旋设计 (Pump screw design could be made for spring retainer)

运行参数 (Operating Limits):
温度 (Temperature): -20---180°C
转速 (Speed): 15m/s
压力 (Pressure): 12bar
标准尺寸 (Standard size): 16 - 100mm

常用材料组合 (Material):
密封环 (Seal rings): 石墨, 碳化硅, 氧化铝 (Car, Sic, Ssic, TiC)
辅助密封 (Secondary seals): 丁腈橡胶, 乙丙橡胶, 氟橡胶等 (NBR, EPDM, Viton etc.)
金属弹簧 (Spring and metal parts): 304, 316, HAST.C

CUSTOMER:		www.asinoseal.com	ASINOSEAL CO.,LTD 张家港爱斯迪密封材料有限公司
P.O. NO.:		Tel:+86-512-58227959	
REF#:		Fax:+86-512-58228759	Installation Drawing TYPE & SIZE: AS-R7N
DRAWN BY:	STA'D:	Mail:sales@asinoseal.com	
CHECKED:		No.265 South Chang'An Rd,Zhangjiagang ,China	
APPVD:			
SCALE:	DATE:	PAGE:X/X	





波形弹簧式机械密封
Component seal series (Wave spring type seals)

Size/Metric	D1	D2	D3	D6	D7	d1	L1	L2	L3	L5	L6	M
14	14	18	33	21	25	3	32.5	10.0	17.5	6.0	8.0	M5
16	16	20	35	23	27	3	32.5	10.0	17.5	6.0	8.0	M5
18	18	22	37	27	33	3	33.5	11.5	19.5	7.0	8.5	M5
20	20	24	39	29	35	3	33.5	11.5	19.5	5.5	8.5	M5
22	22	26	41	31	37	3	33.5	11.5	19.5	8.0	8.5	M5
24	24	28	43	33	39	3	36.0	11.5	19.5	5.5	8.5	M6
25	25	30	45	34	40	3	36.0	11.5	19.5	5.5	8.5	M6
28	28	33	48	37	43	3	38.5	11.5	19.5	8.0	8.5	M6
30	30	35	50	39	45	3	38.5	11.5	19.5	8.0	8.5	M6
32	32	38	55	42	48	3	38.5	11.5	19.5	8.0	8.5	M5
33	33	38	55	42	48	3	38.5	11.5	19.5	8.0	8.5	M6
35	35	40	57	44	50	3	38.5	11.5	19.5	8.0	8.5	M6
38	38	43	60	49	56	4	38.5	14.0	22.0	8.0	9.0	M6
40	40	45	62	51	58	4	38.5	14.0	22.0	8.0	9.0	M6
43	43	48	65	54	61	4	38.5	14.0	22.0	8.0	9.0	M6
45	45	50	67	56	63	4	38.5	14.0	22.0	8.0	9.0	M6
48	48	53	70	59	66	4	38.5	14.0	22.0	8.0	9.0	M6
50	50	55	72	62	70	4	42.5	15.0	23.0	8.0	10.0	M6
53	53	58	79	65	73	4	42.5	15.0	23.0	9.0	10.0	M8
55	55	60	81	67	75	4	42.5	15.0	23.0	9.0	10.0	M8
58	58	63	84	70	78	4	47.5	15.0	23.0	9.0	10.0	M8
60	60	65	86	72	80	4	47.5	15.0	23.0	9.0	10.0	M8
63	63	68	89	75	83	4	47.5	15.0	23.0	9.0	10.0	M8
65	65	70	91	77	85	4	47.5	15.0	23.0	9.0	10.0	M8
70	70	75	99	83	92	4	52.0	18.0	26.0	10.0	10.0	M8
75	75	80	104	88	97	4	52.0	18.0	26.0	10.0	10.0	M8
80	80	85	109	95	105	4	51.8	18.2	26.2	10.0	9.8	M8
85	85	90	114	100	110	4	56.8	18.2	26.2	10.0	9.8	M8
90	90	95	119	105	115	4	56.8	18.2	26.2	10.0	9.8	M8
95	95	100	124	110	120	4	57.8	17.2	25.2	10.0	10.8	M8
100	100	105	129	115	125	4	57.8	17.2	25.2	10.0	10.8	M8

结构说明:
Equivalent to Burgmann H7N seal
波簧密封设计, 亦可采用小弹簧、大弹簧结构 (Wave spring design, Multiple or single spring design is also available)
弹簧可采用加工泵螺钉固定设计 (Pump screw design could be made for spring retainer)

运行参数(Operating Limits):
温度(Temperature): -20---180°C
线速度(Speed): 15m/s
压力(Pressure): 52bar
标准尺寸(Standard sizes): 14 - 100mm

常用材料组合(Material):
密封环(Geal rings): 石墨, 碳化硅, 氧化铝 (Car, Sic, Ssic, Tc)
辅助密封(Secondary seals): 丁腈橡胶, 乙丙橡胶, 氟橡胶等 (NBR, EPDM, Viton etc.)
金属衬套(Spring and metal parts): 304, 316, HAST.C

CUSTOMER:	www.asinoseal.com	ASINOSEAL CO.,LTD
P.O. NO.:	Tel:+86-512-58227959	张家港爱斯迪机械密封有限公司
REF:	Fax:+86-512-58228759	
DRAWN BY:	STA'D:	Installation Drawing
CHECKED:		TYPE & SIZE:
APPVD:		AS-RH7N
SCALE:	DATE:	PAGE:X/X





小弹簧式机械密封 Component seal series(Multiple spring type seals)

Size/Metric	d	D6	D7	D3	d1	L1	L2	L3
18	18	27	33	33	3	38.0	11.5	19.5
20	20	29	35	35	3	38.0	11.5	19.5
22	22	31	37	37	3	38.0	11.5	19.5
24	24	33	39	39	3	38.0	11.5	19.5
25	25	34	40	40	3	38.0	11.5	19.5
28	28	37	43	43	3	39.0	11.5	19.5
30	30	39	45	45	3	39.0	11.5	19.5
32	32	42	48	47	3	39.0	11.5	19.5
33	33	42	48	48	3	39.0	11.5	19.5
35	35	44	50	50	3	39.0	11.5	19.5
38	38	49	56	55	4	41.0	14.0	22.0
40	40	51	58	57	4	42.0	14.0	22.0
43	43	54	61	60	4	42.0	14.0	22.0
45	45	56	63	62	4	42.0	14.0	22.0
48	48	59	66	65	4	42.0	14.0	22.0
50	50	62	70	67	4	43.0	15.0	23.0
53	53	65	73	70	4	43.0	15.0	23.0
55	55	67	75	72	4	43.0	15.0	23.0
58	58	70	78	79	4	56.0	15.0	23.0
60	60	72	80	81	4	56.0	15.0	23.0
63	63	75	83	84	4	55.0	15.0	23.0
65	65	77	85	86	4	55.0	15.0	23.0
68	68	81	90	89	4	55.0	18.0	26.0
70	70	83	92	91	4	56.0	18.0	26.0
75	75	88	97	99	4	56.0	18.0	26.0
80	80	95	105	104	4	56.0	18.2	26.2
85	85	100	110	109	4	56.0	18.2	26.2
90	90	105	115	114	4	56.0	18.2	26.2
95	95	110	120	119	4	56.0	17.2	25.2
100	100	115	125	124	4	56.0	17.2	25.2

结构说明 (Structure Description):
 双端面小弹簧密封 (Double seal, Multiple spring design). Equivalent to Burgmann M74-D type.
 泵壳密封加工泵壳密封结构密封 (Pump screw design available for spring retainer)

运行参数 (Operating Limits):
 温度 (Temperature): -20---180°C
 速度 (Speed): 15m/s
 压力 (Pressure): 12bar
 标准尺寸 (Standard size): 18 - 100mm

常用材料组合 (Material):
 密封环 (Seal rings): 石墨, 碳化硅, 氧化铝 (Car, SiC, Ssic, TC)
 辅助密封 (Secondary seals): 丁腈橡胶, 乙丙橡胶, 氟橡胶等 (NBR, EPDM, Viton etc.)
 金属零件 (Spring and metal parts): 304, 316, HAST.C

CUSTOMER:	www.asinoseal.com	ASINOSEAL CO.,LTD
P.D. NO. :	Tel:+86-512-58227959	张家港爱斯密封机械有限公司
REF:	Fax:+86-512-58228759	
DRAWN BY:	STA'D: Mail:sales@asinoseal.com	Installation Drawing
CHECKED:	No.265 South Chang'An Rd.Zhangjiagang ,China	TYPE & SIZE:
APPVD:		AS-R74D
SCALE:	DATE: PAGE:X/X	





小弹簧式机械密封
Component seal series (Multiple spring type seals)

Size/Metric	d	d0	D3	D6	D7	d1	L8	L1	L2	L3
14	14	18	33	21	25	3	18	53.0	10.0	17.5
16	16	20	35	23	27	3	18	53.0	10.0	17.5
18	18	22	37	27	33	3	20	53.0	11.5	19.5
20	20	24	39	29	35	3	20	53.0	11.5	19.5
22	22	26	41	31	37	3	20	53.0	11.5	19.5
24	24	28	43	33	39	3	20	54.0	11.5	19.5
25	25	30	45	34	40	3	20	54.0	11.5	19.5
28	28	33	48	37	43	3	20	54.0	11.5	19.5
30	30	35	50	39	45	3	20	54.0	11.5	19.5
32	32	38	55	42	48	3	20	56.0	11.5	19.5
33	33	38	55	42	48	3	20	56.0	11.5	19.5
35	35	40	57	44	50	3	20	57.0	11.5	19.5
38	38	43	60	49	56	4	23	57.0	14.0	22.0
40	40	45	62	51	58	4	23	57.0	14.0	22.0
43	43	48	65	54	61	4	23	57.0	14.0	22.0
45	45	50	67	56	63	4	23	56.0	14.0	22.0
48	48	53	70	59	66	4	23	56.0	14.0	22.0
50	50	55	72	62	70	4	25	63.0	15.0	23.0
53	53	58	79	65	73	4	25	67.0	15.0	23.0
55	55	60	81	67	75	4	25	67.0	15.0	23.0
58	58	63	84	70	78	4	25	74.0	15.0	23.0
60	60	65	86	72	80	4	25	74.0	15.0	23.0
63	63	68	89	75	83	4	25	79.0	15.0	23.0
65	65	70	91	77	85	4	25	68.0	15.0	23.0
70	70	75	99	83	92	4	28	76.4	18.0	26.0
75	75	80	104	88	97	4	28	76.4	18.0	26.0
80	80	85	109	95	105	4	28	76.0	18.2	26.2
85	85	90	114	100	110	4	28	76.0	18.2	26.2
90	90	95	119	105	115	4	28	76.0	18.2	26.2
95	95	100	124	110	120	4	28	76.0	17.2	25.2
100	100	105	129	115	125	4	28	76.0	17.2	25.2

结构说明 (Structure Description):
 双端面小弹簧密封 (Double seal, Multiple spring design). Equivalent to Burgmann H74-D
 弹簧盖可加工为带泵盖密封设计 (Pump screw design is available for spring retainer)

运行参数 (Operating Limits):
 温度 (Temperature): -20---180°C
 转速 (Speed): 15m/s
 压力 (Pressure): 25bar
 标准尺寸 (Standard size): 14 - 100mm

常用材料组合 (Material):
 密封环 (Seal ring): 石墨, 碳化硅, 氧化铝 (Car, Sic, Ssic, Tc)
 辅助密封 (Secondary seals): 丁腈橡胶, 乙丙橡胶, 氟橡胶等 (NBR, EPDM, Viton etc.)
 金属件 (Spring and metal parts): 304, 316, HAST.C

CUSTOMER:	www.asinoseal.com	ASINOSEAL CO.,LTD
P.O. NO.:	Tel:+86-512-58227959	张家港爱斯密封机械有限公司
REF:	Fax:+86-512-58228759	
DRAWN BY:	STA'D:	Installation Drawing
CHECKED:	Mail:sales@asinoseal.com	TYPE & SIZE:
APPVD:	No.265 Sou'N Chang'An	AS-RH74D
SCALE:	Rd,Zhangjiagang,China	
DATE:	PAGE:X/X	





小弹簧式机械密封
Component seal series (Multiple spring type seals)

Size/Metric	d	D3	D6	D7	L2	L3	L4	L8
20	20	34	36	42	18	35	23	25
22	22	36	38	44	18	35	23	25
24	24	38	40	46	18	35	23	25
25	25	39	41	47	18	35	23	25
28	28	42	44	50	18	35	23	25
30	30	44	46	52	18	35	23	25
32	32	46	48	54	18	35	23	25
33	33	47	49	55	18	35	23	25
35	35	49	51	57	18	35	23	25
38	38	54	58	64	20	38	25	27
40	40	56	60	66	20	38	25	27
42	42	58	62	68	20	38	25	27
43	43	59	63	69	20	38	25	27
45	45	61	65	71	20	38	25	27
48	48	64	68	74	20	38	25	27
50	50	66	70	76	20	39	25	27
52	52	68	72	78	20	40	25	27
53	53	69	73	79	20	40	25	27
55	55	71	75	81	20	40	25	27
58	58	76	83	89	22	41	28	30
60	60	78	85	91	22	41	28	30
62	62	80	87	93	22	41	28	30
63	63	81	88	94	22	41	28	30
65	65	83	90	96	22	41	28	30
68	68	86	93	99	24	41	30	32
70	70	90	95	101	24	42	30	32
75	75	95	104	110	24	42	30	32
80	80	100	109	115	25	42	31	33
85	85	105	114	120	25	43	31	33
90	90	110	119	125	25	45	31	33
95	95	115	124	130	25	45	31	33
100	100	120	129	135	25	45	31	33

结构说明 (Structure Description):
Equivalent to Flowservo R0 type
小弹簧结构 (Multiple spring design)

运行参数 (Operating Limits):
温度 (Temperature): -20---180°C
线速度 (Speed): 15m/s
压力 (Pressure): 10bar
标准尺寸 (Standard size): 20 - 100mm

常用材料组合 (Material):
密封环 (Seal rings): 石墨, 碳化硅, 氧化铝 (Car, Sic, Ssic, Tc)
辅助密封 (Secondary seals): 丁腈橡胶, 乙丙橡胶, 氟橡胶等 (NBR, EPDM, Viton etc.)
金属机封 (Spring and metal parts): 304, 316, HAST.C

CUSTOMER:	www.asinoseal.com	ASINOSEAL CO.,LTD
P.O. NO.:	Tel:+86-512-58227959	张家港爱斯迪机械密封有限公司
REF:	Fax:+86-512-58228759	
DRAWN BY:	STA'D:	Installation Drawing
CHECKED:		TYPE & SIZE:
APPVD:		AS-R0-A
SCALE:	DATE:	PAGE:X/X





小弹簧式机械密封 Component seal series(Multiple spring type seals)

	1	2	3	4	5	6	7	8
Size/Model	d	DS	D6	D7	D8	L3	L4	L8
A 20	20	34	29	35	3	35	13	21
A 22	22	36	31	37	3	35	13	21
A 24	24	38	33	39	3	35	13	21
A 25	25	39	34	40	3	35	13	21
A 28	28	42	37	43	3	35	13	21
A 30	30	44	39	45	3	35	13	21
A 32	32	46	42	48	3	35	13	21
A 33	33	47	42	48	3	35	13	21
B 35	35	49	44	50	3	35	13	21
A 38	38	54	50	56	4	38	13	21
A 40	40	56	52	58	4	38	13	21
A 43	43	59	55	61	4	38	13	21
A 45	45	61	57	63	4	38	13	21
A 48	48	64	60	66	4	38	13	21
C 50	50	66	62	68	4	39	13	21
A 53	53	69	65	71	4	40	13	21
A 55	55	71	67	73	4	40	13	21
A 58	58	76	70	79	4	41	16	24
A 60	60	78	72	81	4	41	16	24
A 63	63	81	75	84	4	41	16	24
D 65	65	83	77	86	4	41	16	24
A 68	68	86	81	90	4	41	16	24
A 70	70	90	83	92	4	42	16	24
A 75	75	95	88	97	4	42	16	24
A 80	80	100	96	105	4	42	16	24
A 85	85	105	101	110	4	43	16	24
E 90	90	110	106	115	4	45	16	24
A 95	95	115	111	120	4	45	16	24
F 100	100	120	116	125	4	45	16	24

结构说明 (Structure Description):
Equivalent to Flowserve R0 type seal
小弹簧密封 (Multiple spring design)

运行参数 (Operating Limits):
温度 (Temperature): -20---180°C
转速 (Speed): 15m/s
压力 (Pressure): 10bar
标准尺寸 (Standard size): 20 - 100mm

常用材料组合 (Material):
密封环 (Seal rings): 石墨, 碳化硅, 氧化铝 (Car, Sic, Ssic, TC)
辅助密封 (Secondary seals): 丁腈橡胶, 乙丙橡胶, 氟橡胶等 (NBR, EPDM, Viton etc.)
金属衬套 (Spring and metal parts): 304, 316, Hast C

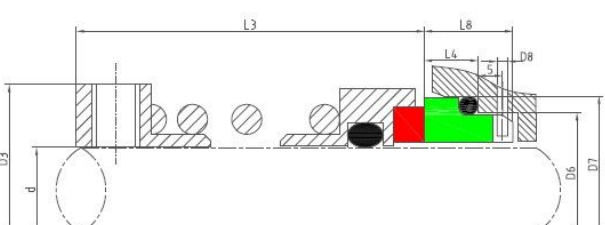
CUSTOMER:	www.asinoseal.com	ASINOSEAL CO.,LTD
P.O. NO.:	Tel:+86-512-58227959	张家港爱斯耐密封技术有限公司
REF:	Fax:+86-512-58228759	
DRAWN BY:	STA'D: Mail:sales@asinoseal.com	Installation Drawing
CHECKED:	No.265 South Chang'an Rd,Zhangjiagang ,China	TYPE & SIZE:
APPVD:		AS-R0-B
SCALE:	DATE:	PAGE:X/X





大弹簧式机械密封 Component seal series(Single spring type seals)

Size/Metric	d	D3	D6	D7	D8	L3	L4	L8
A 18	18	32	27	33	3	35.0	10.0	17.0
A 20	20	34	29	35	3	35.0	10.0	17.0
A 22	22	36	31	37	3	35.0	10.0	17.0
A 24	24	38	33	39	3	40.0	10.0	17.0
A 25	25	39	34	40	3	40.0	10.0	17.0
A 28	28	42	37	43	3	40.0	10.0	17.0
A 30	30	44	39	45	3	40.0	10.0	17.0
A 32	32	46	42	48	3	45.0	10.0	17.0
A 33	33	47	42	48	3	45.0	10.0	17.0
A 35	35	49	44	50	3	45.0	10.0	17.0
A 38	38	54	49	56	4	44.0	11.0	18.0
A 40	40	56	51	58	4	44.0	11.0	18.0
A 43	43	59	54	61	4	49.0	11.0	18.0
A 45	45	61	56	63	4	49.0	11.0	18.0
A 48	48	64	59	66	4	49.0	11.0	18.0
A 50	50	66	62	70	4	47.0	13.0	20.0
A 53	53	69	65	73	4	57.0	13.0	20.0
A 55	55	71	67	75	4	57.0	13.0	20.0
A 58	58	78	70	78	4	57.0	13.0	20.0
A 60	60	80	72	80	4	57.0	13.0	20.0
A 63	63	83	75	83	4	57.0	13.0	20.0
A 65	65	85	77	85	4	67.0	13.0	20.0
A 68	68	88	81	90	4	64.7	15.3	20.0
A 70	70	90	83	92	4	64.7	15.3	20.0
E 75	75	99	88	97	4	64.7	15.3	20.0
E 80	80	104	95	105	4	74.3	15.7	22.5
E 85	85	109	100	110	4	74.3	15.7	22.5
E 90	90	114	105	115	4	74.3	15.7	22.5
E 95	95	119	110	120	4	74.3	15.7	22.5
F 100	100	124	115	125	4	74.3	15.7	22.5



结构说明 (Structure Description):
Equivalent to Burgmann 1527
大弹簧机械密封 (Single spring design)

运行参数 (Operating Limits):
温度 (Temperature): -20---180°C
线速 (Speed): 15m/s
压力 (Pressure): 10bar
标准尺寸 (Standard size): 18mm - 100mm

常用材料组合 (Material):
密封环 (Seal ring): 石墨, 碳化硅, 氧化铝 (Car: Sic, Ssic, TC)
辅助密封 (Secondary seals): 丁腈橡胶, 乙丙橡胶, 氟橡胶等 (NBR, EPDM, Viton etc.)
金属件 (Spring and metal parts): 304, 316, HAST-C

CUSTOMER:	www.asinoseal.com	ASINOSEAL CO.,LTD
P.O. NO. :	Tel:+86-512-58227959	张家港爱斯诺机械密封有限公司
REF:	Fax:+86-512-58228759	
DRAWN BY:	STA'D:	Installation Drawing
CHECKED:		TYPE & SIZE:
APPVD:		AS-R1527
SCALE:	DATE:	PAGE:X/X





橡胶波纹管机械密封
Component seal series(Elastomer bellow seals)

	1	2	3	4	5	6	7	8
	Size/Inch(d)	Size/Metric(d)	D3	D6	D7	L3	L4	
A	0.500	12	23.80	19.05	25.40	30.16	7.93	
		14	27.76	23.80	31.75	33.32	10.28	
B	0.625	16	27.76	23.80	31.75	33.32	10.28	
	0.750	18	30.94	26.98	34.93	33.32	10.28	
C	0.875	20	34.11	30.15	38.10	34.93	10.28	
		22	34.11	30.15	38.10	34.93	10.28	
D	1.000	24	38.10	33.32	41.28	39.67	11.10	
	1.125	25	38.10	33.32	41.28	39.67	11.10	
E	1.250	28	41.28	36.50	44.44	41.28	11.10	
		30	46.02	39.70	47.63	41.28	11.10	
F	1.375	32	46.02	39.70	47.63	41.28	11.10	
	1.500	33	47.63	42.84	50.80	42.85	11.10	
G	1.625	35	47.63	42.84	50.80	42.85	11.10	
		38	50.80	46.05	53.98	42.85	11.10	
H	1.750	40	57.15	50.80	60.33	50.80	12.70	
	1.875	43	60.33	53.97	63.50	50.80	12.70	
I	2.000	45	60.33	53.97	63.50	50.80	12.70	
	2.125	48	63.50	57.15	66.68	53.98	12.70	
J	2.250	50	66.68	60.32	69.85	53.98	12.70	
	2.375	53	71.42	60.32	76.20	60.33	14.27	
K	2.500	55	74.60	61.90	79.38	60.33	14.27	
	2.625	60	77.77	67.39	82.55	63.50	14.27	
L	2.750	63	80.95	68.25	85.73	63.50	14.27	
	2.875	65	85.73	71.42	88.73	69.85	15.88	
M	3.000	70	88.90	74.60	88.90	69.85	15.88	
	3.125	73	92.08	77.77	95.25	73.03	15.88	
N	3.250	75	95.25	80.95	98.43	73.03	15.88	
	3.375	80	101.60	84.12	101.60	79.38	19.84	
O	3.500	85	107.95	90.47	107.95	79.38	19.84	
	3.625	90	114.30	96.82	114.30	82.55	19.84	
P	3.750	96	117.48	100.00	117.48	82.55	19.84	
	3.875	100	120.65	103.17	120.65	85.73	19.84	
			123.83	106.35	123.85	85.73	19.84	

Other big size dimensions are available in option. Please contact ASINOSEAL.

结构说明:
Equivalent to Johncrane Type 1, AES P05U, Vulcan A5, Flowserve S1 seal
橡胶波纹管密封 (Rubber bellows design)

运行参数(Operating Limits):
温度(Temperature): -20---120°C
转速(Speed): 15m/s
压力(Pressure): 16bar
标准尺寸(Standard size): 12 - 100mm or 0.5"-4.0"

常用材料组合(Material):
密封环(Seal rings): 石墨, 陶瓷, 碳化硅, 氧化铝 (Car, Ceramic, RBSiC, Ssic, TC)
波纹管(Secondary seals): 丁腈橡胶, 乙丙橡胶, 氟橡胶等 (NBR, EPDM, Viton etc.)
金属衬套(Spring and metal parts): 304, 316, T1A2.T

CUSTOMER:	www.asinoseal.com	ASINOSEAL CO. LTD
P.O. NO.:	Tel:+86-512-58227959	张家港爱斯诺机械有限公司
REF:	Fax:+86-512-58228759	
DRAWN BY:	STA'D:	Installation Drawing
CHECKED:		TYPE & SIZE:
APPVD:		AS-E01
SCALE:	DATE:	PAGE: X / X





橡胶波纹管机械密封
Component seal series(Elastomer bellow seals)

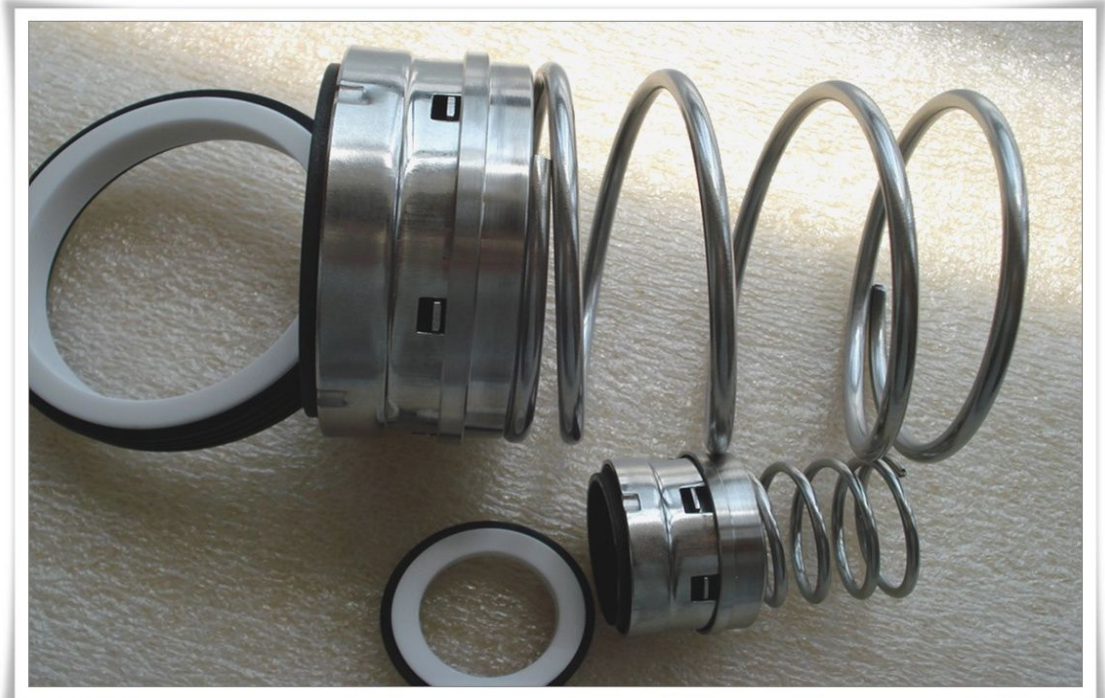
	1				2				3				4				5				6				7				8			
Size/Inch	d	D3	D6	D7	L3	L4	Size/Metric	d	D3	D6	D7	L3	L4	d	D3	D6	D7	L3	L4	d	D3	D6	D7	L3	L4	d	D3	D6	D7	L3	L4	
A	0.375	9.5	22	11.0	24.60	44	8.7	14	14	29	44																					
A	0.500	12.7	25	13.5	27.80	44	8.7	16	16	29	44																					
A	0.625	15.8	29	17.0	30.95	44	10.3	18	18	32	44																					
A	0.750	19.0	32	20.0	34.15	44	10.3	19	19	32	44																					
A	0.813	20.6	33	21.5	35.70	44	10.3	20	20	33	44																					
A	0.875	22.2	35	23.0	37.30	44	10.3	24	24	38	44																					
B	1.000	25.4	38	26.5	40.50	44	10.3	25	25	38	44																					
B	1.125	28.5	46	29.5	47.65	60	11.9	27	27	46	60																					
B	1.250	31.7	49	32.5	50.80	60	11.9	28	28	46	60																					
B	1.375	34.9	52	36.5	54.00	60	11.9	29	29	46	60																					
B	1.500	38.1	56	39.5	57.15	60	11.9	30	30	49	60																					
B	1.625	41.2	59	42.5	60.35	60	11.9	32	32	49	60																					
C	1.750	44.4	62	46.0	63.50	71	11.9	34	34	52	60																					
C	1.875	47.6	65	49.0	66.70	71	11.9	35	35	52	60																					
C	2.000	50.8	68	52.0	69.85	71	13.5	38	38	56	60																					
C	2.125	53.9	71	55.5	73.05	71	13.5	40	40	59	60																					
C	2.250	57.1	75	58.5	76.20	71	13.5	42	42	62	71																					
C	2.375	60.3	78	61.5	79.40	71	13.5	45	45	62	71																					
D	2.500	63.5	81	65.0	82.55	71	13.5	48	48	65	71																					
D	2.625	66.6	86	68.0	85.70	70	15.9	50	50	68	71																					
D	2.750	69.8	89	71.0	88.85	70	15.9	54	54	71	71																					
E	2.875	73.0	92	74.5	92.00	73	15.9	55	55	75	71																					
E	3.000	76.2	95	77.5	95.15	73	15.9	60	60	78	71																					
E	3.125	79.3	102	80.5	98.30	79	19.9	65	65	86	70																					
E	3.250	82.5	105	84.0	101.45	79	19.9	70	70	89	70																					
E	3.375	85.7	108	87.0	104.60	79	19.9	73	73	92	73																					
F	3.500	88.9	111	90.5	107.75	79	19.9	75	75	95	73																					
F	3.625	92.0	114	93.5	110.90	83	19.9	80	80	105	79																					
F	3.750	95.2	117	96.5	114.05	83	19.9	90	90	114	83																					
F	3.875	98.4	121	100.0	117.20	86	19.9	95	95	118	83																					
F	4.000	101.6	124	103.0	120.35	86	19.9	100	100	124	86																					

结构说明(Structure Description):
Equivalent to Johncrane Type 1A
橡胶波纹管密封 (Rubber bellows design)

运行参数(Operating Limits):
温度(Temperature): -20---120°C
转速(Speed): 15m/s
压力(Pressure): 14bar
标准尺寸(Standard size): 14 - 100mm or 0.375"-4.0"

常用材料组合(Material):
密封环(Seal ring): 石墨, 碳纤维, 氧化铝 (Car,Sic,Ssic,Ti)
辅助密封(Secondary seals): 丁腈橡胶, 乙丙橡胶, 氟橡胶等 (NBR,EPDM,Viton etc.)
金属零件(Spring and metal parts): 304,316,HAST C

CUSTOMER:	www.asinoseal.com	ASINOSEAL CO.,LTD
P.O. NO. :	Tel:+86-512-58227959	张家港爱斯迪机械有限公司
REF:	Fax:+86-512-58228759	
DRAWN BY:	STA'D:	Installation Drawing
CHECKED:		TYPE & SIZE:
APPVD:		AS-E01A
SCALE:	DATE:	PAGE:X/X





橡胶波纹管机械密封
Component seal series(Elastomer bellow seals)

	1	2	3	4	5	6	7	8
Size/Inch	d	D5	D6	D7	L3	L4	L65	
1.000	25.4	38.10	33.32	41.28	47.63	11.10	8.7	
1.125	28.5	41.28	36.50	44.44	49.20	11.10	8.7	
1.250	31.7	46.02	39.70	47.63	49.20	11.10	8.7	
1.375	34.9	47.63	42.84	50.80	50.80	11.10	8.7	
1.500	38.1	50.80	46.05	53.98	50.80	11.10	8.7	
1.625	41.2	57.15	50.80	60.33	60.33	12.70	11.1	
1.750	44.4	60.33	53.97	63.50	60.33	12.70	11.1	
1.875	47.6	63.50	57.15	66.68	63.50	12.70	11.1	
2.000	50.8	66.68	60.32	69.85	63.50	12.70	11.1	
2.125	53.9	71.42	60.32	76.20	69.85	14.27	12.7	
2.250	57.1	74.60	61.90	79.38	69.85	14.27	12.7	
2.375	60.3	77.77	67.39	82.55	73.03	14.27	12.7	
2.500	63.5	80.95	68.25	85.73	73.03	14.27	12.7	
2.625	66.6	85.73	71.42	85.73	79.38	15.88	14.27	
2.750	69.8	88.90	74.60	88.90	79.38	15.88	14.27	
2.875	73.0	92.08	77.77	95.25	82.55	15.88	14.27	
3.000	76.2	95.25	80.95	98.43	82.55	15.88	14.27	
3.125	79.3	101.60	84.12	101.60	88.90	19.84	15.88	
3.250	82.5	104.78	87.30	104.78	88.90	19.84	15.88	
3.375	85.7	107.95	90.47	107.95	88.90	19.84	15.88	
3.500	88.9	111.13	93.65	111.13	88.90	19.84	15.88	
3.625	92.0	114.30	96.82	114.30	92.08	19.84	15.88	
3.750	95.2	117.48	100.00	117.48	92.08	19.84	15.88	
3.875	98.4	120.65	103.17	120.65	95.25	19.84	15.88	
4.000	101.6	123.83	106.35	123.85	95.25	19.84	15.88	

Other big size dimensions are available in option. Please contact ASINOSEAL.

结构说明 (Structure Description):
Equivalent to Johncrane Type 1B seal
橡胶波纹管机械密封 (Rubber bellows design)

运行参数 (Operating Limits):
温度 (Temperature): -20---120°C
速度 (Speed): 15m/s
压力 (Pressure): 25bar
标准尺寸 (Standard sizes): 1.0"-4.0"

常用材料组合 (Material):
密封环 (Seal rings): 石墨, 碳化硅, 陶瓷, 镍铬合金 (Car, Sic, Ssic, Ceramic, TC)
辅助密封 (Secondary seals): 丁腈橡胶, 乙丙橡胶, 氟橡胶等 (NBR, EPDM, VIron etc.)
金属件 (Spring and metal parts): 304, 316, HAIST.C

CUSTOMER:	www.asinoseal.com	ASINOSEAL CO.,LTD
P.O. NO.:	Tel:+86-512-58227959	张家港艾斯诺机械密封有限公司
REF:	Fax:+86-512-58228759	
DRAWN BY:	STA'D:	Installation Drawing
CHECKED:		TYPE & SIZE:
APPVD:		AS-E01B
SCALE:	DATE:	PAGE: X/X





橡胶波纹管机械密封
Component seal series(Elastomer bellow seals)

Size/Inch	Size/Metric	D5	D6	D7	L3	L4
0.500	12	30.14	19.05	25.40	20.64	7.93
	14	33.32	23.80	31.75	22.23	10.28
0.625	16	33.32	23.80	31.75	22.23	10.28
	18	36.50	26.98	34.93	22.23	10.28
0.750	20	39.67	30.15	38.10	23.8	10.28
	22	39.67	30.15	38.10	23.8	10.28
0.875	24	45.50	33.32	41.28	25.4	11.10
	25	45.50	33.32	41.28	25.4	11.10
1.000	28	48.50	36.50	44.44	26.97	11.10
	30	52.37	37.90	47.63	26.97	11.10
1.250	32	52.37	37.90	47.63	26.97	11.10
	33	56.00	42.84	50.80	28.58	11.10
1.375	35	56.00	42.84	50.80	28.58	11.10
	38	56.00	46.05	53.98	28.58	11.10
1.625	40	59.20	50.80	60.38	34.93	12.70
	43	67.00	53.97	63.50	34.93	12.70
1.750	45	69.85	53.97	63.50	34.93	12.70
	48	73.03	57.15	66.68	38.1	12.70
1.875	49	73.03	60.32	69.85	38.1	12.70
	50	76.20	60.32	69.85	38.1	12.70
2.000	53	82.55	60.32	76.20	42.85	14.28
	55	85.73	61.90	79.38	42.85	14.28
2.250	60	88.90	67.39	82.55	46.02	14.28
	63	92.08	68.25	85.73	46.02	14.28
2.625	65	98.43	71.24	85.73	49.2	15.90
	70	101.60	74.60	88.90	49.2	15.90
2.750	73	104.78	77.77	95.25	52.37	15.90
	75	107.95	80.95	98.43	52.37	15.90
3.125	80	115.80	84.12	101.60	55.55	19.84
	85	119.05	87.30	104.78	55.55	19.84
3.250	85	122.22	90.47	107.95	55.55	19.84
	90	125.40	93.65	111.13	55.55	19.84
3.500	90	130.18	96.82	114.30	58.72	19.84
	95	133.35	100.00	117.48	58.72	19.84
3.875	100	141.27	106.35	123.85	58.72	19.84
	110	135.00			58.72	
4.000	120	145.00			72	

Other big size dimensions are available in option. Please contact ASINOSEAL.

结构说明(Structure Description):
Equivalent to AES P04U, Johncrane Type 2 seal
橡胶波纹管密封 (Rubber bellows design)

运行参数(Operating Limits):
温度(Temperature): -20---120°C
转速(Speed): 15m/s
压力(Pressure): 14bar
标准尺寸(Standard size): 12 - 100mm or 0.5"-4.0"

常用材料组合(Material):
密封环圈(Seal ring): 石墨, 碳化硅, 氧化铝 (Car, Sic, Ssic, Tc)
辅助密封(Secondary seal): 丁腈橡胶, 乙丙橡胶, 氟橡胶等 (NBR, EPDM, Viton etc.)
金属零件(Spring and metal parts): 304, 316, HAST.C

CUSTOMER:	www.asinoseal.com	ASINOSEAL CO.,LTD
P.O. NO. :	Tel:+86-512-58227959	张家港爱斯耐机械有限公司
REF:	Fax:+86-512-58228759	
DRAWN BY:	STA'D: Mail:sales@asinoseal.com	Installation Drawing
CHECKED:	No.265 South Chang'An Rd,Zhangjiagang ,China	TYPE & SIZE:
APPVD:		AS-E02
SCALE:	DATE: PAGE:X/X	





橡胶波纹管机械密封
Component seal series(Elastomer bellow seals)

Size/Metric	1					2					3					4				
	D3	D31	D7	L4	L3	Size/Inch	D3	D31	D7	L4	L3	Size/Inch	D3	D31	D7	L4	L3			
10	22.95	20.50	24.60	8.74	25.60	0.375	22.95	20.0	24.60	8.74	25.60									
11	23.90	22.80	27.79	8.74	25.60	0.500	23.90	22.8	27.79	8.74	25.60									
12	23.90	24.00	27.79	8.74	25.60	0.625	26.70	26.7	30.95	10.32	25.60									
13	26.70	24.20	30.95	10.32	25.60	0.750	31.10	30.4	34.15	10.32	25.60									
14	26.70	26.70	30.95	10.32	25.60	0.875	33.40	33.4	37.30	10.32	25.60									
15	26.70	26.70	30.95	10.32	25.60	1.000	43.20	39.3	40.50	10.32	25.60									
16	31.10	30.40	34.15	10.32	25.60	1.125	46.30	42.0	47.63	11.99	33.54									
18	31.10	30.40	34.15	10.32	25.60	1.250	49.40	45.8	50.80	11.99	33.54									
19	33.40	30.40	35.70	10.32	25.60	1.375	52.60	49.3	53.98	11.99	33.54									
20	33.40	33.40	37.30	10.32	25.60	1.500	55.80	52.8	57.15	11.99	33.54									
22	39.20	33.40	40.50	10.32	25.60	1.625	62.20	55.5	60.35	11.99	33.54									
24	39.20	38.00	40.50	10.32	25.60	1.750	66.00	61.0	63.50	11.99	40.68									
25	46.30	39.30	47.63	10.32	25.60	1.875	66.00	64.0	66.70	11.99	40.68									
28	49.40	42.00	50.80	11.99	33.54	2.000	73.00	66.0	69.85	13.50	40.68									
30	49.40	43.90	50.80	11.99	33.54	2.125	73.00	71.5	73.05	13.50	41.20									
32	49.40	45.80	53.98	11.99	33.54	2.250	78.40	79.6	76.2	13.50	41.20									
33	52.60	45.80	53.98	11.99	33.54	2.375	82.00	79.6	79.4	13.50	41.20									
35	52.60	49.30	53.98	11.99	33.54	2.500	84.90	81.5	82.55	13.50	41.20									
38	55.80	52.80	57.15	11.99	33.54	2.625	88.40	84.6	92.1	15.90	49.20									
40	62.20	55.80	60.35	11.99	33.54	2.750	92.60	90.0	95.25	15.90	49.20									
42	66.00	58.80	63.50	11.99	40.68	2.875	94.85	92.0	98.45	15.90	49.20									
43	66.00	58.80	63.50	11.99	40.68	3.000	101.90	96.8	101.65	15.90	49.20									
44	66.00	58.80	63.50	11.99	40.68															
45	66.00	61.00	63.50	11.99	40.68															
48	66.00	64.00	66.70	11.99	40.68															
50	71.65	66.00	69.85	13.50	40.68															
53	73.30	71.50	73.05	13.50	41.20															
55	78.40	71.50	76.00	13.50	41.20															
58	82.00	79.60	79.40	13.50	41.20															
60	82.00	79.60	79.40	13.50	41.20															
63	84.90	81.50	82.50	13.50	41.20															
65	88.40	84.60	92.10	15.90	49.20															
70	92.60	90.00	95.52	15.90	49.20															
73	94.85	92.00	98.45	15.90	49.20															
75	101.90	96.80	101.65	15.90	49.20															

结构说明:
Equivalent to AES P02/P02T ,Vulcan Type 20 and jahncrene type 21
橡胶波纹管结构 (Rubber bellows design)

运行参数(Operating Limits):
温度(Temperature): -20---120°C
转速(Speed): 15m/s
压力(Pressure): 10bar
标准尺寸(Standard size): 10 - 75mm or 0.375" - 3.0"

常用材料组合(Material):
密封唇(Seal rings): 石墨, 陶瓷, 碳化硅, 氧化铝 (Car,Ceramic,SiC,TC)
辅助密封(Secondary seals): 丁腈橡胶, 乙丙橡胶, 氟橡胶等 (NBR,EPDM,Viton etc.)
金属弹簧(Spring and metal parts): 304,316 HAST.C

CUSTOMER:		www.asinoseal.com	ASINOSEAL CO.,LTD
P.O. NO.:		Tel:+86-512-58227959	张家港爱斯迪机械密封有限公司
REF:		Fax:+86-512-58228759	
DRAWN BY:	STA'D:	Mail:sales@asinoseal.com	Installation Drawing
CHECKED:		No.265 South Chang'An	TYPE & SIZE:
APPVD:		Rd,Zhangjiagang ,China	AS-E20&E20T
SCALE:	DATE:	PAGE:X/X	





橡胶波纹管机械密封
Component seal series(Elastomer bellow seals)

Size/inch	d	D3	D31	D6	D7	L3	L4
0.500	12.7	24.00	22.80	19.05	25.40	20.62	7.95
0.625	15.8	26.70	26.70	23.80	31.75	22.23	10.31
0.750	19.1	31.20	30.40	26.97	34.93	22.23	10.31
0.875	22.2	33.55	33.40	30.15	38.10	23.80	10.31
1.000	25.4	43.20	39.30	33.32	41.28	25.40	11.10
1.125	28.6	46.50	42.00	36.50	44.45	26.97	11.10
1.250	31.7	49.50	45.80	39.70	47.63	26.97	11.10
1.375	34.9	52.70	49.30	42.85	50.80	28.58	11.10
1.500	38.1	56.00	52.80	46.05	53.98	28.58	11.10
1.625	41.2	62.20	55.50	50.80	60.33	34.93	12.70
1.750	44.4	66.00	61.00	53.97	63.50	34.93	12.70
1.875	47.6	66.00	64.00	57.15	66.68	38.10	12.70
2.000	50.8	73.00	66.00	60.33	69.85	38.10	12.70
2.125	53.9	73.50	71.50	60.33	76.20	42.85	14.27
2.250	57.1	79.60	79.60	61.90	79.38	42.85	14.27
2.375	60.3	82.00	79.60	65.10	82.55	46.05	14.27
2.500	63.5	85.00	81.50	68.25	85.73	46.05	14.27
2.625	66.6	88.50	84.60	71.42	88.90	49.20	15.88
2.750	69.8	92.70	90.00	74.60	88.90	49.20	15.88
3.000	76.2	102.00	96.80	80.95	98.40	52.37	15.88

结构说明 (Structure Description):
Equivalent to AES P04/P04T, Johncrane Type 21
橡胶波纹管密封 (Rubber bellows design)

运行参数 (Operating Limits):
温度 (Temperature): -20---120°C
速度 (Speed): 15m/s
压力 (Pressure): 10bar
标准尺寸 (Standard sizes): 10 - 100mm

常用材料组合 (Material):
密封环 (Seal ring): 石墨, 陶瓷, 碳化硅, 氧化铝 (Car, Ceramic, Sic, Ssic, TiC)
密封材料 (Secondary seals): 丁腈橡胶, 乙丙橡胶, 氟橡胶等 (NBR, EPDM, Viton etc.)
金属零件 (Spring and metal parts): 304, 316, HASTC

CUSTOMER:	www.asinoseal.com	ASINOSEAL CO.,LTD
P.O. NO.:	Tel:+86-512-58227959	张家港爱斯诺机械密封有限公司
REF:	Fax:+86-512-58228759	
DRAWN BY:	STA'D:	Installation Drawing
CHECKED:	Mail:sales@asinoseal.com	TYPE & SIZE:
APPVD:	No.265 South Chang'an Rd,Zhangjiagang ,China	AS-E21&E21T
SCALE:	DATE:	PAGE:X/X





橡胶波纹管机械密封
Component seal series(Elastomer bellow seals)

Size/Metric	d	D5	D6	D7	L3	L4
10	10	20.05	17	21	23.9	8.6
12	12	21.70	19	23	23.9	8.6
14	14	24.50	21	25	26.4	8.6
16	16	26.65	23	27	26.4	8.6
18	18	30.35	27	33	27.5	10.0
20	20	31.75	29	35	27.5	10.0
22	22	33.55	31	37	27.5	10.0
24	24	38.30	33	39	30.0	10.0
25	25	38.30	34	40	30.0	10.0
28	28	42.20	37	43	32.5	10.0
30	30	43.95	39	45	32.5	10.0
32	32	45.70	42	48	32.5	10.0
33	33	46.75	42	48	32.5	10.0
35	35	49.10	44	50	32.5	10.0
38	38	52.40	49	56	34.0	11.0
40	40	55.70	51	58	34.0	11.0
43	43	58.80	54	61	34.0	11.0
45	45	61.20	56	63	34.0	11.0
48	48	64.35	59	66	34.0	11.0
50	50	67.35	62	70	34.5	13.0
53	53	70.65	65	73	34.5	13.0
55	55	71.65	67	75	34.5	13.0
58	58	78.40	70	78	39.5	13.0
60	60	78.40	72	80	39.5	13.0
63	63	81.50	75	83	39.5	13.0
65	65	84.30	77	85	39.5	13.0
68	68	89.65	81	90	37.2	15.3
70	70	89.65	83	92	44.7	15.3
75	75	96.80	88	97	44.7	15.3
80	80	104.00	95	105	44.3	15.7
85	85	107.95	100	110	44.3	15.7
90	90	111.10	105	115	49.3	15.7
95	95	119.00	110	120	49.3	15.7
100	100	124.00	115	125	49.3	15.7

结构说明 (Structure Description):
Equivalent to AES P03, Burgmann MG912, Johncrane 521, Vulcon 24
橡胶波纹管密封 (Rubber bellows design)

运行参数 (Operating Limits):
温度 (Temperature): -20---120°C
线速 (Speed): 15m/s
压力 (Pressure): 10bar
标准尺寸 (Standard sizes): 10 - 100mm

常用材料组合 (Material):
密封环 (Seal rings): 石墨, 碳化硅, 氧化铝 (Car, Ceramic, Sic, Ssic, Tc)
辅助密封 (Secondary seals): 丁腈橡胶, 乙丙橡胶, 氟橡胶等 (NBR, EPDM, Viton etc)
金属零件 (Spring and metal parts): 304, 316, HAST.C

CUSTOMER:	www.asinoseal.com	ASINOSEAL CO.,LTD
P.O. NO.:	Tel:+86-512-58227959	张家港爱斯诺机械密封有限公司
REF:	Fax:+86-512-58228759	Installation Drawing
DRAWN BY:	STA'D: Mail-sales@asinoseal.com	TYPE & SIZE:
CHECKED:	No.265 South Chang'An Rd,Zhangjiagang ,China	AS-E24
APPVD:	DATE:	PAGE X/X
SCALE:		





橡胶波纹管机械密封
Component seal series(Elastomer bellow seals)

Size/Metric	D0	D7	L3	L4	Size/Inch	d	D0	D7	L3	L4
8	18.20	21	11.2	7	0.375	9.5	23.5	22.22	22.2	6.4
9	18.20	24	16.2	7	0.500	12.7	26.0	25.40	22.2	6.4
10	20.60	24	16.2	7	0.625	15.8	30.0	31.75	23.8	8.7
11	20.60	24	16.2	7	0.750	19.0	32.5	34.92	23.8	8.7
12	21.80	26	17.2	7	0.875	22.2	37.5	38.10	25.4	8.7
13	21.80	26	17.2	7	1.000	25.4	44.0	41.27	27.0	9.5
14	26.40	28	18.2	7	1.125	28.5	48.0	44.45	28.6	9.5
15	26.40	28	18.2	7	1.250	31.7	50.0	47.62	28.6	9.5
16	26.40	32	19.2	8	1.375	34.9	54.5	50.80	30.2	9.5
17	28.50	32	19.2	8	1.500	38.1	58.5	53.97	30.2	9.5
18	29.50	35	19.2	8	1.625	41.2	64.0	60.32	36.5	11.1
19	29.50	35	19.2	8	1.750	44.4	67.0	63.50	36.5	11.1
20	31.60	38	20.2	8	1.875	47.6	71.0	66.67	39.7	11.1
22	33.60	40	20.2	8	2.000	50.8	73.5	69.85	39.7	11.1
25	39.60	44	20.2	9						
28	45.00	46	31.2	9						
30	46.60	50	22.2	9						
32	46.60	54	24.2	9						
35	50.80	58	26.2	10						
38	54.30	60	27.2	10						
40	57.30	64	28.2	10						
45	61.30	66	30.2	10						
50	67.80	72	32.2	10						

结构说明(Structure Description):
Equivalent to Eagle burghmann EA560(A)
橡胶波纹管密封 (Rubber bellows design)

运行参数(Operating Limits):
温度(Temperature): -20---120°C
转速(Speed): 15m/s
压力(Pressure): 10bar
标准尺寸(Standard sizes): 8 - 50mm or 0.375" - 2.0"

作用材料组合(Material):
密封环(seal ring): 石墨, 陶瓷, 碳化硅 (Car Ceramic, SiC, SiC, TC)
辅助密封(Secondary seal): 丁腈橡胶, 乙丙橡胶, 氟橡胶等 (NBR, EPDM, Viton etc.)
金属弹簧(Spring and metal parts): 304, 316, HAST.C

CUSTOMER:	www.asinoseal.com	ASINOSEAL CO.,LTD
P.O. NO.:	Tel:+86-512-58227959	张家港爱斯诺机械密封有限公司
REF:	Fax:+86-512-58228759	Installation Drawing
DRAWN BY:	STA'D:	TYPE & SIZE:
CHECKED:	Mail:sales@asinoseal.com	AS-E560(A)
APPVD:	No.265 South Chang'An Rd,Zhangjiagang ,China	
SCALE:	DATE:	PAGE:X/X





橡胶波纹管机械密封
Component seal series(Elastomer bellow seals)

Size/Metric	d	D3	D7	L3	L4
14	14	27.5	30	19.0	5.0
16	16	28.5	32	21.0	5.0
18	18	31.2	35	22.5	7.5
20	20	31.7	35	21.0	8.0
25	25	40.2	40	25.5	8.0
28	28	44.1	43	25.5	8.0
30	30	45.1	45	25.5	9.0
32	32	49.0	48	33.5	9.0
33	33	49.0	48	33.5	9.0
35	35	50.2	50	33.5	9.0
38	38	55.3	56	33.5	9.0
40	40	57.0	58	33.5	9.0
43	43	60.7	61	36.5	9.5
45	45	62.5	63	38.0	9.5
48	48	66.5	66	38.0	9.5
50	50	68.6	70	38.0	9.5
53	53	70.8	73	41.0	9.5
55	55	72.4	75	41.0	9.5
58	58	80.0	78	42.0	9.5
60	60	83.0	80	42.0	9.5
65	65	87.2	85	42.0	10.0
70	70	91.6	92	45.0	11.0
75	75	99.4	97	47.0	12.0
80	80	104.6	104	55.0	12.0
85	85	111.0	109	64.0	12.0
90	90	113.0	114	66.0	12.0

结构说明 (Structure Description):
橡胶波纹管密封 (Rubber bellows design)

运行参数 (Operating Limits):
温度 (Temperature): -20---120°C
转速 (Speed): 15m/s
压力 (Pressure): 10bar
标准尺寸 (Standard size): 10 - 100mm

管壳材料组合 (Material):
管壳密封 (Seal rings): 石墨, 陶瓷, 铜钨, 镍钨 (Car: Ceramic, Sic, Sic, TC)
辅助密封 (Secondary seals): 丁腈橡胶, 乙丙橡胶, 氟橡胶等 (NBRE, PDM, Viton etc.)
金属衬套 (Spring and metal parts): 304, 316, HAST-C

CUSTOMER:	www.asinoseal.com	ASINOSEAL CO., LTD
P.O. NO.:	Tel:+86-512-58227959	张家港爱斯迪机械密封有限公司
REF:	Fax:+86-512-58228759	
DRAWN BY:	STA'D:	Installation Drawing
CHECKED:		TYPE & SIZE:
APPVD:		AS-EBIA
SCALE:	DATE:	PAGE: X/X





橡胶波纹管机械密封
Component seal series(Elastomer bellow seals)

Size/Metric	d	D3	D6	D7	L3	L31	L32	L4
10	10	20	15	21	15	27.5	35.0	5.0
12	12	22	17	23	15	26.5	34.0	6.0
14	14	24	19	25	15	29.0	34.0	6.0
15	15	25	20	26	15	29.0	34.0	6.0
16	16	26	23	27	15	29.0	34.0	6.0
18	18	32	25	33	20	31.5	39.0	6.0
20	20	34	27	35	20	31.5	39.0	6.0
22	22	36	29	37	20	31.5	39.0	6.0
24	24	38	31	39	20	34.0	44.0	6.0
25	25	39	32	40	20	34.0	44.0	6.0
28	28	42	35	43	26	36.5	44.0	6.0
30	30	44	37	45	26	35.5	43.0	7.0
32	32	46	40	48	26	35.5	48.0	7.0
33	33	47	40	48	26	35.5	48.0	7.0
35	35	49	42	50	26	34.5	47.0	8.0
38	38	54	47	56	30	37.0	47.0	8.0
40	40	56	49	58	30	37.0	47.0	8.0
43	43	59	52	61	30	37.0	52.0	8.0
45	45	61	54	63	30	37.0	52.0	8.0
48	48	64	57	66	30	35.0	50.0	10.0
50	50	66	60	70	30	37.5	50.0	10.0
53	53	69	63	73	30	37.5	60.0	10.0
55	55	71	65	75	30	37.5	60.0	10.0
58	58	78	68	78	33	42.5	60.0	10.0
60	60	80	70	80	33	40.5	58.0	12.0
63	63	83	73	83	33	40.5	58.0	12.0
65	65	85	75	85	33	40.5	68.0	12.0
68	68	88	79	90	33	40.5	68.0	12.0
70	70	90	81	92	33	48.0	68.0	12.0
75	75	99	86	97	40	48.0	68.0	12.0
80	80	104	92	105	40	47.5	77.5	12.5
85	85	109	97	110	40	47.5	77.5	12.5
90	90	114	102	115	40	52.5	77.5	12.5
95	95	119	117	120	40	52.5	77.5	12.5
100	90	124	122	125	40	52.5	77.5	12.5

结构说明 (Structure Description):
Equivalent to AES B05/52/53, Johncrane 2100 series
橡胶波纹管密封 (Rubber bellows design)

运行参数 (Operating Limits):
温度 (Temperature): -20---120°C
转速 (Speed): 15m/s
压力 (Pressure): 18bar
标准尺寸 (Standard size): 10 - 100mm

常用材料组合 (Material):
密封环 (Seal ring): 石墨, 碳化硅, 陶瓷, 氧化铝 (Car, SiC, SiC, Ceramic, Ti)
辅助密封 (Secondary seals): 丁腈橡胶, 乙丙橡胶, 氟橡胶等 (NBR, EPDM, Viton etc.)
金属衬套 (Spring and metal parts): 304, 316, HAST.C

CUSTOMER:	www.asinoseal.com	ASINOSEAL CO.,LTD
P.O. NO.:	Tel:+86-512-58227959	张家港爱斯迪机械密封有限公司
REF:	Fax:+86-512-58228759	
DRAWN BY:	STA'D: Mail: sales@asinoseal.com	Installation Drawing
CHECKED:	No.265 South Chang'An Rd,Zhangjiagang ,China	TYPE & SIZE:
APPVD:		AS-E210 Series
SCALE:	DATE:	PAGE:X/X





橡胶波纹管机械密封
Component seal series(Elastomer bellow seals)

	1	2	3	4	5	6	7	8	
Size/Metric	d	D3	D6	D7	L2	L31	L32	L33	L4
A	10	22.5	17	21	14.5	25.9	33.4	25.0	6.6
	12	25.0	19	23	15.0	25.9	33.4	25.0	6.6
	14	28.5	21	25	17.0	28.4	33.4	25.0	6.6
	15	28.5	-	-	17.0	28.4	33.4	25.0	-
	16	28.5	23	27	17.0	28.4	33.4	25.0	6.6
	18	32.0	27	33	19.5	30.0	37.5	25.0	7.5
	19	37.0	-	-	21.5	30.0	37.5	25.0	-
	20	37.0	29	35	21.5	30.0	37.5	25.0	7.5
B	22	37.0	31	37	21.5	30.0	37.5	25.0	7.5
	24	42.5	33	39	22.5	32.5	42.5	25.0	7.5
	25	42.5	34	40	23.0	32.5	42.5	25.0	7.5
	28	49.0	37	43	26.5	35.0	42.5	33.0	7.5
	30	49.0	39	45	26.5	35.0	42.5	33.0	7.5
	32	53.5	42	48	27.5	35.0	47.5	33.0	7.5
C	33	53.5	42	48	27.5	35.0	47.5	33.0	7.5
	35	57.0	44	50	28.5	35.0	47.5	33.0	7.5
	38	59.0	49	56	30.0	36.0	46.0	33.0	9.0
	40	62.0	51	58	30.0	36.0	46.0	33.0	9.0
	42	65.5	-	-	30.0	36.0	51.0	41.0	-
	43	65.5	54	61	30.0	36.0	51.0	41.0	9.0
D	45	68.0	56	63	30.0	36.0	51.0	41.0	9.0
	48	70.5	59	66	30.5	36.0	51.0	41.0	9.0
	50	74.0	62	70	30.5	38.0	50.5	41.0	9.5
	53	78.5	65	73	33.0	36.5	59.0	41.0	11.0
	55	81.0	67	75	35.0	36.5	59.0	41.0	11.0
	58	85.5	70	78	37.0	41.5	59.0	41.0	11.0
E	60	88.5	72	80	38.0	41.5	59.0	41.0	11.0
	65	93.5	77	85	40.0	41.5	69.0	49.0	11.0
	68	96.5	81	90	40.0	41.2	68.7	49.0	11.3
	70	99.5	83	92	40.0	48.7	68.7	49.0	11.3
	75	107.0	88	97	40.0	48.7	68.7	52.0	11.3
	80	112.0	95	105	40.0	48.0	78.0	56.0	12.0
F	85	120.0	100	110	41.0	46.0	76.0	56.0	14.0
	90	127.0	105	115	45.0	51.0	76.0	59.0	14.0
	95	132.0	110	120	46.0	51.0	76.0	59.0	14.0
	100	137.0	115	125	47.0	51.0	76.0	62.0	14.0

结构说明 (Structure Description):
Equivalent to Burgmann MG1, MG1S20, MG12, MG13 seal
橡胶波纹管密封 (Rubber bellows design)

运行参数 (Operating Limits):
温度 (Temperature): -20---120°C
线速 (Speed): 10m/s
压力 (Pressure): 12bar
标准尺寸 (Standard size): 10 - 100mm

常用材料组合 (Material):
密封环 (Seal ring): 不锈钢, 碳化钨, 氧化铝 (Car, SiC, SiC, TiC)
辅助密封 (Secondary seals): 丁腈橡胶, 乙丙橡胶, 氟橡胶等 (NBR, EPDM, Viton etc.)
金属零件 (Spring and metal parts): 304, 316, HAST C

CUSTOMER:	www.asinoseal.com	ASINOSEAL CO.,LTD
P.O. NO.:	Tel:+86-512-58227959	张家港爱斯迪密封材料有限公司
REF:	Fax:+86-512-58228759	
DRAWN BY:	STA'D: Mail:sales@asinoseal.com	Installation Drawing
CHECKED:	No.265 South Chang'An Rd,Zhangjiagang,China	TYPE & SIZE:
APPVD:		AS-EMG Series
SCALE:	DATE: PAGE:X/X	





橡胶波纹管机械密封
Component seal series(Elastomer bellow seals)

Size/Metric	d	D3	D6	D7	L3	L4	L6
14	14	24	21	25	23.0	12.0	12.8
16	16	26	23	27	23.0	12.0	12.8
18	18	32	27	33	24.0	13.5	14.5
20	20	34	29	35	24.0	13.5	14.5
22	22	36	31	37	24.0	13.5	14.5
24	24	38	33	39	26.7	13.3	14.3
25	25	39	34	40	27.0	13.0	14.0
28	28	42	37	43	30.0	12.5	13.5
30	30	44	39	45	30.5	12.0	13.0
32	32	46	42	48	30.5	12.0	13.0
33	33	47	42	48	30.5	12.0	13.0
35	35	49	44	50	30.5	12.0	13.0
38	38	54	49	56	32.0	13.0	14.0
40	40	56	51	58	32.0	13.0	14.0
43	43	59	54	61	32.0	13.0	14.0
45	45	61	56	63	32.0	13.0	14.0
48	48	64	59	66	32.0	13.0	14.0
50	50	66	62	70	34.0	13.5	14.5
53	53	69	65	73	34.0	13.5	14.5
55	55	71	67	75	34.0	13.5	14.5
58	58	78	70	78	39.0	13.5	14.2
60	60	80	72	80	39.0	13.5	14.2
63	63	83	75	83	39.0	13.5	14.2
65	65	85	77	85	39.0	13.5	14.2
68	68	88	81	90	39.0	13.5	14.2
70	70	89	83	92	45.5	14.5	15.2
75	75	96	88	97	45.5	14.5	15.2
80	80	104	95	105	45.0	15.0	15.7
85	85	108	100	110	45.0	15.0	15.7
90	90	114	105	115	50.0	15.0	15.7
95	95	118	110	120	50.0	15.0	15.7
100	100	124	115	125	50.0	15.0	15.7

结构说明(Structure Description):
Equivalent to AES B07,Johncrane 502 seal
橡胶波纹管密封 (Rubber bellows design)

运行参数(Operating Limits):
温度(Temperature): -20---120°C
线速(Speed): 15m/s
压力(Pressure): 25bar
标准尺寸(Standard size): 14 - 100mm

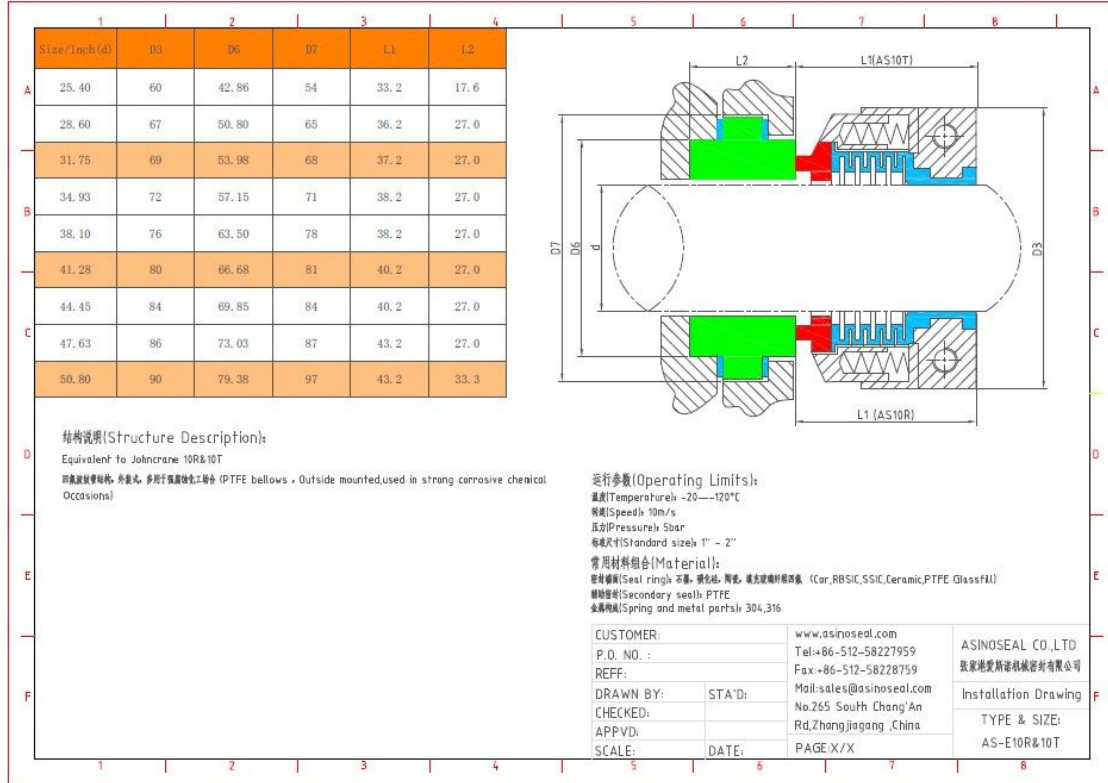
常用材料组合(Material):
密封环(Seat ring): 石墨, 碳化硅, 氧化铝
波纹管(Seat ring): 丁腈橡胶, 乙丙橡胶, 氟橡胶等 (NBR, EPDM, Viton etc.)
金属零件(Spring and metal parts): 304, 316, HAST C

CUSTOMER:	www.asinoseal.com	ASINOSEAL CO.,LTD
P.O. NO.:	Tel:+86-512-58227959	张家港爱斯诺机械有限公司
REF:	Fax:+86-512-58228759	
DRAWN BY:	STA'D: Mail:sales@asinoseal.com	Installation Drawing
CHECKED:	No.265 South Chang'An Rd,Zhangjiagang ,China	TYPE & SIZE:
APPVD:		AS-E502
SCALE:	DATE:	PAGE:X/X





四氟波纹管机械密封
Component seal series(Teflon bellow seals)





四氟波纹管机械密封
Component seal series(Teflon bellow seals)

1	2	3	4	5	6	7	8
Size/Inch(d)	D3	D6	D7	L1	L3	L2	
25.40	60	42.86	54	42	45	17.5	
28.60	67	46.03	60	42	45	27.0	
31.75	69	50.80	65	42	45	27.0	
34.93	72	53.98	68	42	45	27.0	
38.10	76	57.15	71	42	45	27.0	
41.28	80	63.50	78	42	45	27.0	
44.45	84	66.68	81	44	46	27.0	
47.63	86	69.85	84	44	46	27.0	
50.80	90	73.03	87	46	46	27.0	
53.98	95	79.38	97	46	46	33.5	
57.15	98	82.55	100	46	46	33.5	
60.30	100	85.73	103	46	46	33.5	
Size/Metric (d)	D3	D6	D7	L1	L3	L2	
25	60	47.0	60	42	45	27	
30	67	53.0	67	42	45	27	
32	69	50.7	64	42	45	27	
35	72	57.0	70	42	45	27	
40	78	62.0	76	42	45	26	
45	84	67.0	82	44	46	27	
50	88	72.0	86	46	46	27	
55	95	77.0	90	46	46	27	
60	100	82.0	95	46	46	27	
65	105	87.0	100	46	46	27	

运行参数(Operating Limits):
 温度(Temperature): -20---120°C
 转速(Speed): 10m/s
 压力(Pressure): 5bar
 标准尺寸(Standard size): 25 - 65mm or 1" - 2.375"

常用材料组合(Material):
 密封环圈(Seal rings): 石墨, 碳化硅, 陶瓷, 氟塑料, 聚四氟乙烯, 氧化铝, 氧化铝陶瓷, 氧化铝陶瓷 (Car, Sic, Ssic, Ceramic, PTFE, GlassfIII)
 辅助密封(Secondary seals): PTFE
 金属弹簧(Spring and metal parts): 304,316

结构说明 (Structure Description):
 Equivalent to Johncrane WB2 seal
 四氟波纹管机械密封, 外装式, 多用于腐蚀性化工场合 (PTFE bellows design, Outside mounted, used in strong corrosive chemical occasions).

CUSTOMER:	www.asinoseal.com	ASINOSEAL CO.,LTD
P.O. NO.:	Tel:+86-512-58227959	张家港爱斯耐机械有限公司
REF:	Fax:+86-512-58228759	
DRAWN BY:	STA'D:	Installation Drawing
CHECKED:		TYPE & SIZE:
APPVD:		AS-EWB2
SCALE:	DATE:	PAGE:X/X





小弹簧式机械密封
Component seal series (PTFE Wedge seals)

	1	2	3	4	5	6	7	8
Size/Inch	d	D3	D6	D7	L3	L4		
A	0.500	12.7	26.7	13.4	25.40	20.62	7.9	
	0.625	15.8	30.66	16.6	31.75	19.05	10.3	
	0.750	19.0	33.83	19.7	34.93	22.23	10.3	
	0.875	22.2	37	22.9	38.10	23.80	10.3	
	1.000	25.4	40.1	26.1	41.28	25.40	11.1	
	1.125	28.5	43.36	29.3	44.45	26.97	11.1	
	1.250	31.7	48.13	32.4	47.63	26.97	11.1	
B	1.375	34.9	51.3	35.6	50.80	28.58	11.1	
	1.500	38.1	54.48	38.8	53.98	28.58	11.1	
	1.625	41.2	60.83	42.4	60.33	34.93	12.7	
	1.750	44.4	64	45.5	63.50	34.93	12.7	
	1.875	47.6	65.58	48.7	66.68	34.93	12.7	
C	2.000	50.8	70.36	51.9	69.85	34.93	12.7	
	2.125	53.9	76.7	55.0	76.20	42.85	14.3	
	2.250	57.1	79.88	58.2	79.38	42.85	14.3	
	2.375	60.3	83.06	61.4	82.55	42.85	14.3	
	2.500	63.5	86.23	64.6	85.73	42.85	14.3	
	2.625	66.6	89.4	67.7	88.91	42.85	15.9	
D	2.750	69.8	92.58	70.9	88.90	42.85	15.9	
	2.875	73.0	95.76	74.1	95.25	42.85	15.9	
	3.000	76.2	97.33	77.3	98.43	42.85	15.9	
	3.125	79.3	100.5	80.5	101.60	42.85	19.8	
	3.250	82.5	105.28	83.6	104.78	42.85	19.8	
	3.375	85.7	108.46	86.8	107.95	42.85	19.8	
E	3.500	88.9	111.63	90.0	111.13	42.85	19.8	
	3.625	92.0	114.8	93.1	114.30	42.85	19.8	
	3.750	95.2	117.98	96.3	117.48	42.85	19.8	
	3.875	98.4	121.16	99.5	120.65	42.85	19.8	
F	4.000	101.6	124.33	102.7	123.83	42.85	19.8	

结构说明 (Structure Description):
Equivalent to AES M01 Johncrane Type 9 Seal
小弹簧密封, 非平衡型密封 (Multiple spring design, Unbalanced seal)

运行参数 (Operating Limits):
温度 (Temperature): -40---250°C
线速 (Speed): 15m/s
压力 (Pressure): 12bar
标准尺寸 (Standard size): 0.5" - 4"

常用材料组合 (Material):
密封环 (Seal ring): 石墨, 碳化硅, 陶瓷, 氧化铝 (Car, Sic, Ssic, Ceramic, TC)
辅助密封 (Secondary seals): 丁腈橡胶, 乙丙橡胶, 氟橡胶等 (NBR, EPDM, Viton etc.)
金属机件 (Spring and metal parts): 304, 316, HAST-C

CUSTOMER:	www.asinoseal.com	ASINOSEAL CO.,LTD
P.O. NO.:	Tel:+86-512-58227959	张家港爱斯密封机械有限公司
REF:	Fax:+86-512-58228759	
DRAWN BY:	STA'D:	Installation Drawing
CHECKED:		TYPE & SIZE:
APPVD:		AS-P09
SCALE:	DATE:	PAGE:X/X





小弹簧式机械密封
Component seal series(PTFE Wedge seals)

1	2	3	4	5	6	7	8	
Size/Inch	d1	d2	D3	D6	D7	L3	L4	L65
1.000	25.4	22.2	40.1	22.9	38.10	33.32	10.30	6.40
1.125	28.5	25.4	43.36	26.1	41.28	34.93	11.10	7.90
1.250	31.7	28.5	48.13	29.3	44.45	34.93	11.10	7.90
1.375	34.9	28.5	51.3	29.3	44.45	36.50	11.10	8.70
1.500	38.1	31.7	54.48	32.4	47.63	36.50	11.10	8.70
1.625	41.2	34.9	60.83	35.6	50.80	44.45	11.10	8.70
1.750	44.4	38.1	64	38.8	53.98	44.45	11.10	9.50
1.875	47.6	41.2	65.58	42.4	60.33	44.45	12.70	9.50
2.000	50.8	44.4	70.36	45.5	63.50	44.45	12.70	9.50
2.125	53.9	47.6	76.7	48.7	66.68	52.37	12.70	11.10
2.250	57.1	50.8	79.88	51.9	69.85	52.37	12.70	11.10
2.375	60.3	53.9	83.06	55.0	76.20	52.37	14.30	11.10
2.500	63.5	57.1	86.23	58.2	79.38	52.37	14.30	11.10
2.625	66.6	60.3	89.4	61.4	82.55	52.37	14.30	11.10
2.750	69.8	63.5	92.58	64.6	85.73	52.37	14.30	11.10
2.875	73.0	66.6	95.76	67.7	85.73	52.37	15.90	11.10
3.000	76.2	69.8	97.33	70.9	88.90	52.37	15.90	11.10
3.125	79.3	73.0	100.5	74.1	95.25	52.37	15.90	11.10
3.250	82.5	76.2	105.28	77.3	98.43	52.37	15.90	14.30
3.375	85.7	79.3	108.46	80.5	101.60	52.37	19.80	14.30
3.500	88.9	82.5	111.63	83.6	104.78	52.37	19.80	14.30
3.625	92.0	85.7	114.8	86.8	107.95	52.37	19.80	14.30
3.750	95.2	88.9	117.98	90.0	111.13	52.37	19.80	14.30
3.875	98.4	92.0	121.16	93.1	114.30	52.37	19.80	14.30
4.000	101.6	95.2	124.33	96.3	117.48	52.37	19.80	14.30

结构说明 (Structure Description):
Equivalent to AES M01,Johncrane Type 9 Seal.
小弹簧结构,平衡型密封 (Multiple spring design - balanced seal)

运行参数 (Operating Limits):
温度 (Temperature): -40---250°C
转速 (Speed): 15m/s
压力 (Pressure): 25bar
标准尺寸 (Standard size): 1" - 4"

常用材料组合 (Material):
密封环 (Seal ring): 石墨, 碳化硅, 陶瓷, 氧化铝 (Car,Sic,Sic, Ceramic,TC)
辅助密封 (Secondary seal): 丁腈橡胶, 乙丙橡胶, 氟橡胶等 (NBR,EPDM,Viton etc)
金属零件 (Spring and metal parts): 304,316,HAST C

CUSTOMER:	www.asinoseal.com	ASINOSEAL CO.,LTD
P.O. NO.:	Tel:+86-512-58227959	张家港爱斯迪机械密封有限公司
REF:	Fax:+86-512-58228759	Installation Drawing
DRAWN BY:	STA'D:	TYPE & SIZE:
CHECKED:	No.265 South Chang'An	AS-P09B
APPV:	Rd,Zhangjiagang ,China	
SCALE:	DATE:	PAGE: X/X





小弹簧式机械密封 Component seal series (PTFE Wedge seals)

	1	2	3	4	5	6	7	8
Size/Inch	d	D3	D6	D7	L3	L4		
0.500	12.7	23.80	13.4	25.40	23.80	7.9		
0.625	15.8	26.97	16.6	31.75	23.80	10.3		
0.750	19.0	30.15	19.7	34.93	23.80	10.3		
0.875	22.2	32.32	22.9	38.10	23.80	10.3		
1.000	25.4	36.50	26.1	41.28	25.40	11.1		
1.125	28.5	39.67	29.3	44.45	25.40	11.1		
1.250	31.7	42.85	32.4	47.63	25.40	11.1		
1.375	34.9	49.20	35.6	50.80	34.93	11.1		
1.500	38.1	49.20	38.8	53.98	28.58	11.1		
1.625	41.2	57.15	42.4	60.33	29.36	12.7		
1.750	44.4	58.72	45.5	63.50	34.93	12.7		
1.875	47.6	63.50	48.7	66.68	34.93	12.7		
2.000	50.8	66.68	51.9	69.85	34.93	12.7		
2.125	53.9	71.42	55.0	76.20	42.85	14.3		
2.225	57.1	72.21	58.2	79.38	34.93	14.3		
2.375	60.3	76.20	61.4	82.55	42.85	14.3		
2.500	63.5	79.38	64.6	85.73	34.93	14.3		
2.625	66.6	82.55	67.7	88.73	42.85	15.9		
2.750	69.8	85.73	70.9	88.90	42.85	15.9		
2.875	73.0	88.90	74.1	95.25	42.85	15.9		
3.000	76.2	92.08	77.3	98.43	42.85	15.9		
3.125	79.3	95.25	80.5	101.60	42.85	19.8		
3.250	82.5	98.43	83.6	104.78	42.85	19.8		
3.375	85.7	101.60	86.8	107.95	42.85	19.8		
3.500	88.9	104.78	90.0	111.13	42.85	19.8		
3.625	92.0	107.95	93.1	114.30	42.85	19.8		
3.750	95.2	111.13	96.3	117.48	42.85	19.8		
3.875	98.4	114.30	99.5	120.65	42.85	19.8		
4.000	101.6	117.48	102.7	123.83	42.85	19.8		

结构说明 (Structure Description):
Equivalent to AES M05, Johncrane Type 9T Seal
小弹簧结构, 非平衡型密封 (Multiple spring design - Unbalanced seal)

运行参数 (Operating Limits):
温度 (Temperature): -40---250°C
线速 (Speed): 15m/s
压力 (Pressure): 12bar
标准尺寸 (Standard size): 0.5" - 4"

常用材料组合 (Material):
密封环 (Seal rings): 石墨, 碳化硅, 陶瓷, 氧化铝 (Car, SiC, SiC, Ceramic, TC)
辅助密封 (Secondary seals): 丁腈橡胶, 乙丙橡胶, 氟橡胶等 (NBR, EPDM, Viton etc.)
金属零件 (Spring and metal parts): 304, 316, Hast C

CUSTOMER:	www.asinoseal.com	ASINOSEAL CO.,LTD
P.O. NO.:	Tel:+86-512-58227959	张家港爱斯新机械密封有限公司
REF:	Fax:+86-512-58228759	Installation Drawing
DRAWN BY:	STA'D:	TYPE & SIZE:
CHECKED:		AS-P09T
APPVD:		
SCALE:	DATE:	PAGE: X / X





小弹簧式机械密封
Component seal series(PTFE Wedge seals)

	1	2	3	4	5	6	7	8
Size/Inch	d	d1	d3	d6	d7	L3	L4	L65
A 1.000	25.4	22.2	36.50	22.9	38.10	33.32	10.3	8.7
1.125	28.5	25.4	39.67	26.1	41.28	34.93	11.1	8.7
1.250	31.7	28.5	42.85	29.3	44.45	34.93	11.1	8.7
1.375	34.9	28.5	49.20	29.3	44.45	42.85	11.1	8.7
1.500	38.1	31.7	49.20	32.4	47.63	36.50	11.1	8.7
1.625	41.2	34.9	57.15	35.6	50.80	40.48	11.1	11.1
1.750	44.4	38.1	58.72	38.8	53.96	44.45	11.1	11.1
1.875	47.6	41.2	63.50	42.4	60.33	44.45	12.7	11.1
2.000	50.8	44.4	66.68	45.5	63.50	44.45	12.7	11.1
2.125	53.9	47.6	71.42	48.7	66.68	52.37	12.7	12.7
2.250	57.1	50.8	72.21	51.9	69.85	44.45	12.7	12.7
2.375	60.3	53.9	76.20	55.0	76.20	52.37	14.3	12.7
2.500	63.5	57.1	79.38	58.2	79.38	44.45	14.3	12.7
2.625	66.6	60.3	82.55	61.4	82.55	52.37	14.3	12.7
2.750	69.8	63.5	85.73	64.6	85.73	52.37	14.3	12.7
2.875	73.0	66.6	88.90	67.7	85.73	52.37	15.9	12.7
3.000	76.2	69.8	92.08	70.9	88.90	52.37	15.9	12.7
3.125	79.3	73.0	95.25	74.1	95.25	52.37	15.9	14.3
3.250	82.5	76.2	98.43	77.3	98.43	52.37	15.9	14.3
3.375	85.7	79.3	101.60	80.5	101.60	52.37	19.8	14.3
3.500	88.9	82.5	104.78	83.6	104.78	52.37	19.8	14.3
3.625	92.0	85.7	107.95	86.8	107.95	52.37	19.8	14.3
3.750	95.2	88.9	111.13	90.0	111.13	52.37	19.8	14.3
3.875	98.4	92.0	114.30	93.1	114.30	52.37	19.8	14.3
4.000	101.6	95.2	117.48	96.3	117.48	52.37	19.8	14.3

结构说明 (Structure Description):
Equivalent to AES M06, Johncrane 9BT seal
小弹簧结构, 平衡型设计 (Multiple spring design + balanced seal)

运行参数 (Operating Limits):
温度 (Temperature): -40---250°C
速度 (Speed): 15m/s
压力 (Pressure): 25bar
标准尺寸 (Standard size): 1" - 4"

常用材料组合 (Material):
密封环 (Seal rings): 石墨, 碳化硅, 陶瓷, 氧化铝 (Car, Sic, Ssic, Ceramic, TC)
辅助密封 (Secondary seals): 丁腈橡胶, 乙丙橡胶, 氟橡胶等 (NBR, EPDM, Viton etc.)
金属零件 (Spring and metal parts): 304, 316, HAST-C

CUSTOMER:	www.asinoseal.com	ASINOSEAL CO.,LTD
P.O. NO.:	Tel:+86-512-58227959	张家港爱斯威机械有限公司
REF:	Fax:+86-512-58228759	
DRAWN BY:	STA'D:	Installation Drawing
CHECKED:		TYPE & SIZE:
APPVD:		AS-P09BT
SCALE:	DATE:	PAGE: X/X





小弹簧式机械密封 Component seal series(PTFE Wedge seals)

Size/Metric	d	d1	D3	D6	D7	L3	L4	L8	L65
A 14	18	14	32	21	25	30.5	12.0	18.5	6.00
A 16	20	16	34	23	27	30.5	12.0	18.5	6.00
A 18	22	18	36	27	33	31.5	13.5	20.5	6.50
A 20	24	20	38	29	35	31.5	13.5	20.5	6.50
A 22	26	22	40	31	37	31.5	13.5	20.5	6.50
A 24	28	24	42	33	39	34.2	13.3	20.3	6.70
B 25	30	25	44	34	40	34.5	13.0	20.0	7.00
B 28	33	28	47	37	43	37.5	12.5	19.5	7.50
B 30	35	30	49	39	45	38.0	12.0	19.0	8.00
B 32	38	32	54	42	48	38.0	12.0	19.0	8.00
B 33	38	33	54	42	48	38.0	12.0	19.0	8.00
B 35	40	35	56	44	50	38.0	12.0	19.0	8.00
C 38	43	38	59	49	56	39.5	13.0	20.0	10.00
C 40	45	40	61	51	58	39.5	13.0	20.0	10.00
C 43	48	43	64	54	61	39.5	13.0	20.0	10.00
C 45	50	45	66	56	63	39.5	13.0	20.0	10.00
C 48	53	48	69	59	66	39.5	13.0	20.0	10.00
D 50	55	50	71	62	70	44.0	13.5	20.5	11.50
D 53	58	53	78	65	73	44.0	13.5	20.5	11.50
D 55	60	55	80	67	75	44.0	13.5	20.5	11.50
D 58	63	58	83	70	78	49.0	13.5	20.5	11.50
D 60	65	60	85	72	80	49.0	13.5	20.5	11.50
D 63	68	63	88	75	83	49.0	13.5	20.5	11.50
E 65	70	65	90	77	85	49.0	13.5	20.5	11.50
E 70	75	70	95	83	92	55.5	14.5	21.5	13.50
E 75	80	75	104	88	97	55.5	14.5	21.5	13.50
E 80	85	80	109	95	105	55.0	15.0	22.0	13.00
E 85	90	85	114	100	110	60.0	15.0	22.0	13.00
F 90	95	90	119	105	115	60.0	15.0	22.0	13.00
F 95	100	95	124	110	120	60.0	15.0	22.0	13.00
F 100	105	100	129	115	125	60.0	15.0	22.0	13.00

结构说明(Structure Description):
Equivalent to AES M04, Burgmann BT-C56.KB, Jahn Crane 59B
小弹簧机械密封 (Multiple spring design + balanced seal)

运行参数(Operating Limits):
温度(Temperature): -40---250°C
速度(Speed): 15m/s
压力(Pressure): 25bar
标准尺寸(Standard size): 14 - 100mm

常用材料组合(Material):
密封环(S Seal ring): 石墨, 陶瓷, 氧化铝 (Car, Sic, Sic, Ceramic, TC)
辅助密封(Secondary seal): 丁腈橡胶, 乙丙橡胶, 氟橡胶等 (NBR, EPDM, Viton etc.)
弹簧和金属零件(Spring and metal parts): 304, 316, HAST C

CUSTOMER:	www.asinoseal.com	ASINOSEAL CO.,LTD
P.O. NO.:	Tel:+86-512-58227959	张家港爱斯诺机械密封有限公司
REF:	Fax:+86-512-58228759	Installation Drawing
DRAWN BY:	STA'D: Mailsales@asinoseal.com	TYPE & SIZE:
CHECKED:	No.265 South Chang'An Rd,Zhongjiagang ,China	AS-P59B
APPVD:	SCALE:	
DATE:	PAGE: X/X	





小弹簧式机械密封
Component seal series(PTFE Wedge seals)

Size/Metric	d	D3	D6	D7	L3	L4	L8
14	14	24	21	25	23.0	12.0	18.5
16	16	26	23	27	23.0	12.0	18.5
18	18	32	27	33	24.0	13.5	20.5
20	20	34	29	35	24.0	13.5	20.5
22	22	36	31	37	24.0	13.5	20.5
24	24	38	33	39	26.7	13.3	20.3
25	25	39	34	40	27.0	13.0	20.0
28	28	42	37	43	30.0	12.5	19.5
30	30	44	39	45	30.5	12.0	19.0
32	32	46	42	48	30.5	12.0	19.0
33	33	47	42	48	30.5	12.0	19.0
35	35	49	44	50	30.5	12.0	19.0
38	38	54	49	56	32.0	13.0	20.0
40	40	56	51	58	32.0	13.0	20.0
43	43	59	54	61	32.0	13.0	20.0
45	45	61	56	63	32.0	13.0	20.0
48	48	64	59	66	32.0	13.0	20.0
50	50	66	62	70	34.0	13.5	20.5
53	53	69	65	73	34.0	13.5	20.5
55	55	71	67	75	34.0	13.5	20.5
58	58	78	70	78	39.0	13.5	20.5
60	60	80	72	80	39.0	13.5	20.5
63	63	83	75	83	39.0	13.5	20.5
65	65	85	77	85	39.0	13.5	20.5
68	68	88	81	90	39.0	13.5	20.5
70	70	90	83	92	45.5	14.5	21.5
75	75	95	88	97	45.5	14.5	21.5
80	80	104	95	105	45.0	15.0	22.0
85	85	109	100	110	45.0	15.0	22.0
90	90	114	106	115	50.0	15.0	22.0
95	95	119	110	120	50.0	15.0	22.0
100	100	124	115	125	50.0	15.0	22.0

结构说明(Structure Description):
Equivalent to AES M03,Burgmann BT-C56,KU,Johncrane 59U
小弹簧结构, 非平衡型密封 (Multiple spring design + Unbalanced seal)

运行参数(Operating Limits):
温度(Temperature): -40---250°C
转速(Speed): 15m/s
压力(Pressure): 12bar
标准尺寸(Standard size): 1/4" - 100mm

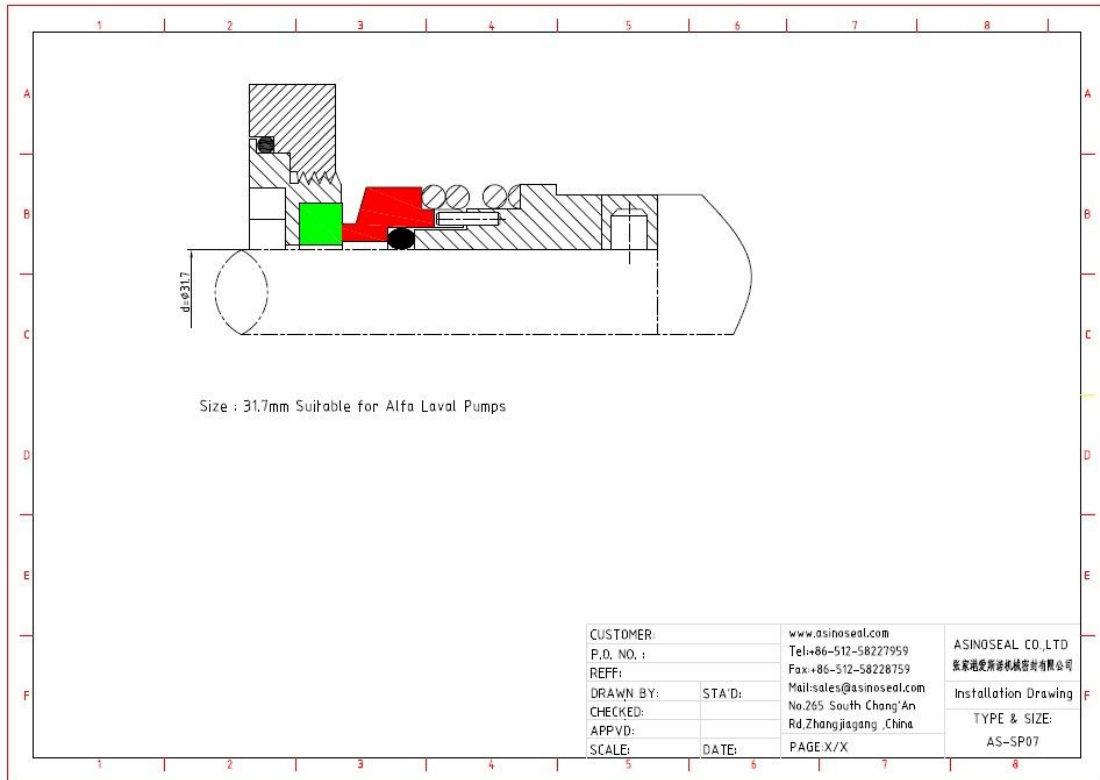
常用材料组合(Material):
密封环(Seal ring): 石墨, 碳化硅, 陶瓷, 氧化铝 (Car,Sic,Ssic,Ceramic,TC)
辅助密封(Secundary seals): 丁腈橡胶, 乙丙橡胶, 氟橡胶等 (NBR,EPDM,Viton etc.)
金属壳体(Spring and metal parts): 304,316,HAST C

CUSTOMER:	www.asinoseal.com	ASINOSEAL CO.,LTD
P.O. NO.:	Tel:+86-512-58227959	张家港爱斯诺机械密封有限公司
REF:	Fax:+86-512-58228759	Installation Drawing
DRAWN BY:	STA'D	TYPE & SIZE:
CHECKED:		AS-P59U
APPVD:		
SCALE:	DATE:	PAGE:X/X



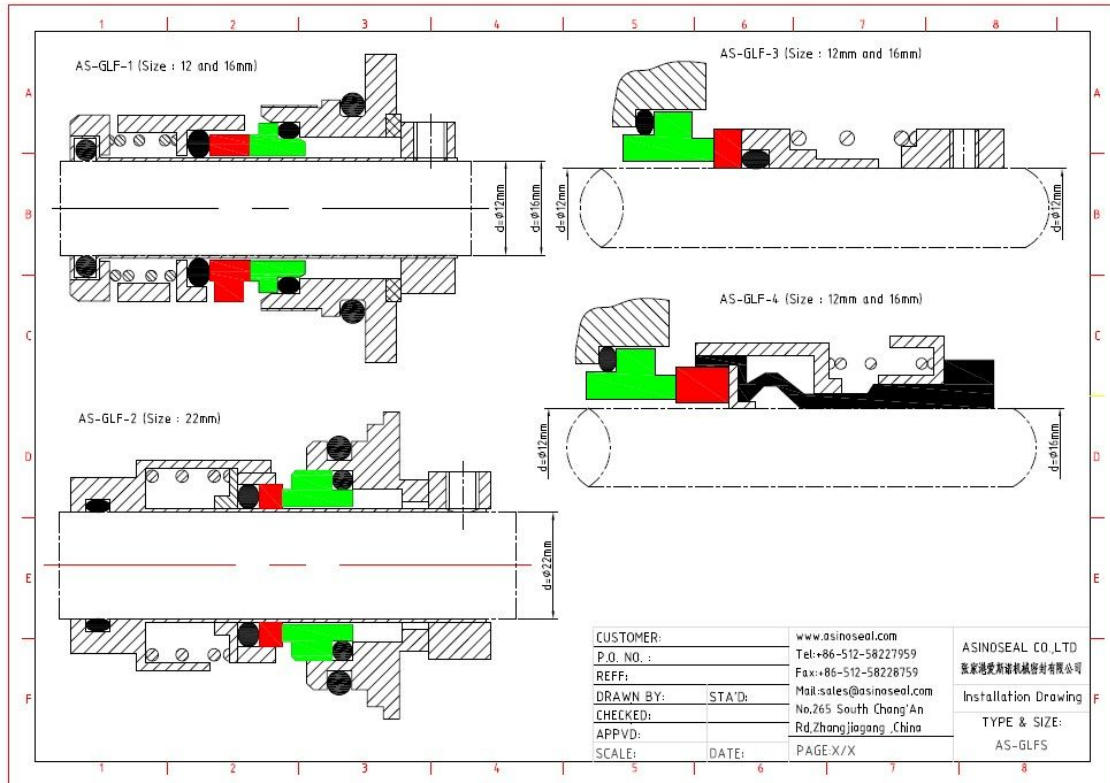


卫生泵机械密封
Component seal series(Sanitary pump seals)



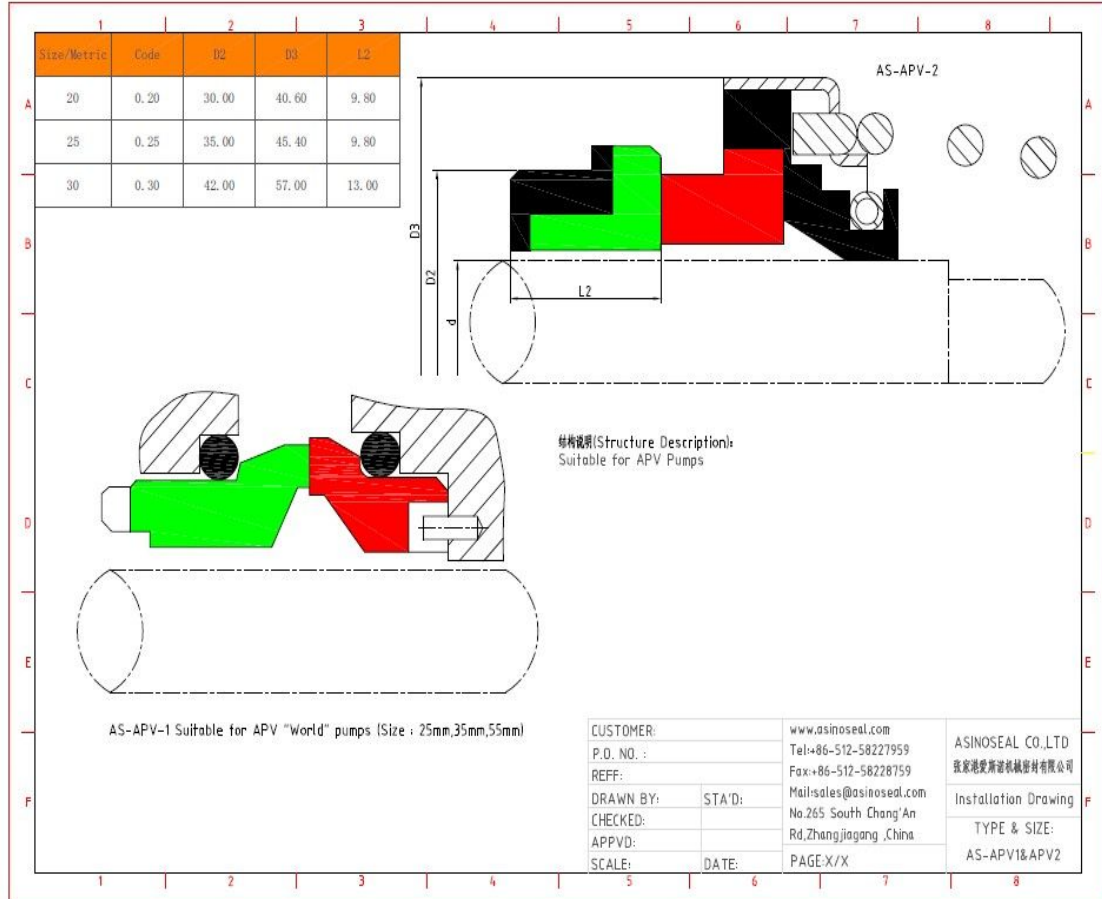


格兰富泵用机械密封
Mechanical seal for Grundfos pumps



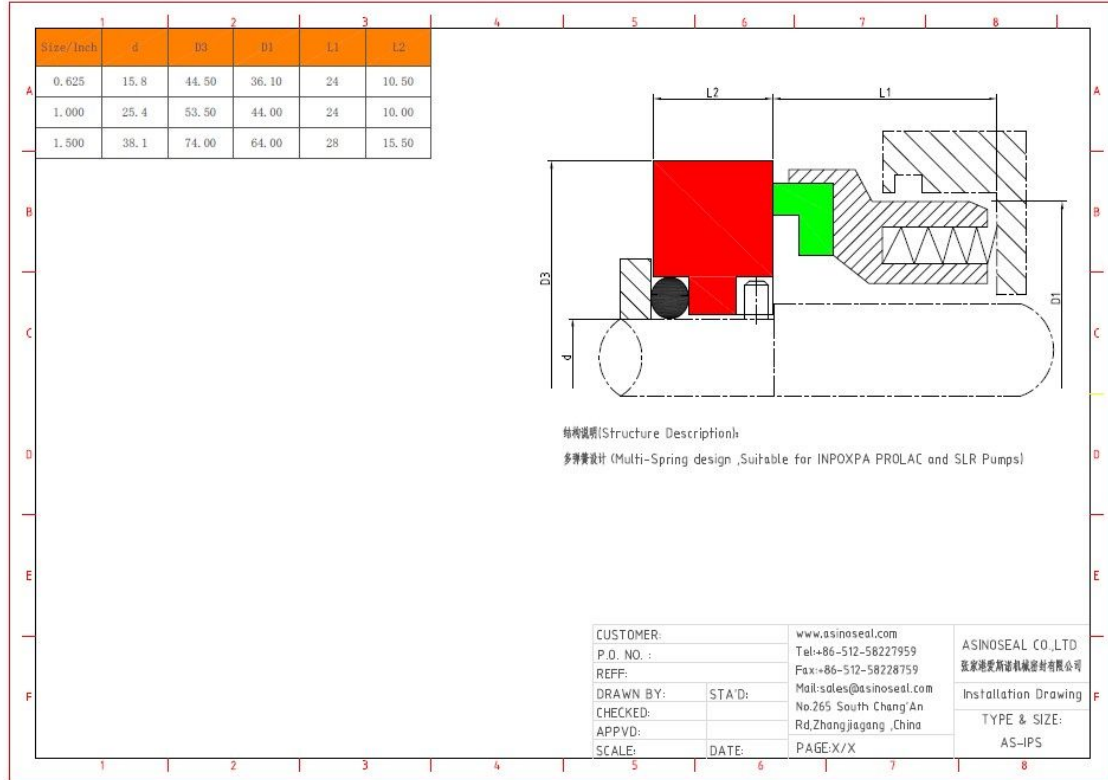


卫生泵机械密封
Component seal series(Sanitary pump seals)





卫生泵机械密封
Mechanical seal for Inpoxpa Prolac and SLR Pump

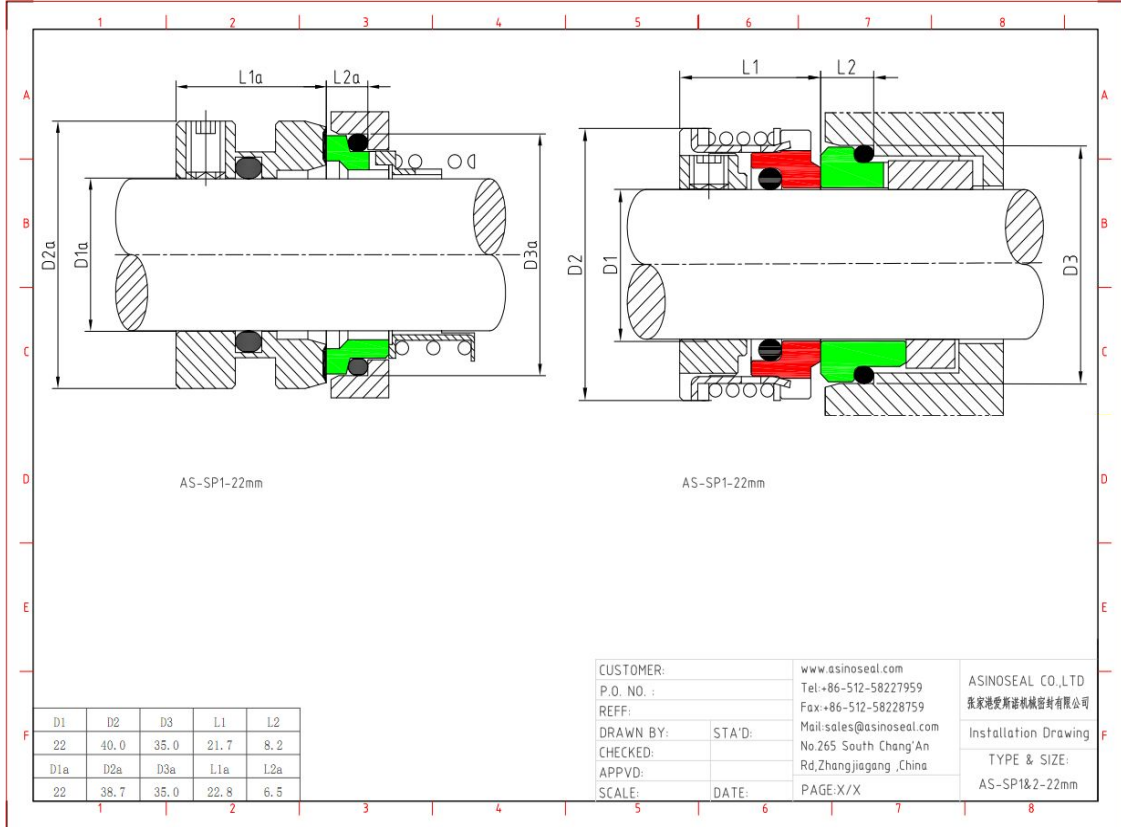




Mechanical seal

船用泵机械密封

Marine Used pump seal





Mechanical seal

波纹管机械密封 Metal bellow seals range

金属波纹管机械密封简介:

金属波纹管机械密封分为焊接波纹管密封和压制成型波纹管密封。

焊接金属波纹管密封无动态辅助密封，不会因为辅助密封与轴的磨损而导致密封失效。同时波纹管在旋转过程中因离心力作用可以实现自清洗。



我司在焊接金属波纹管密封领域具有多年设计和生产经验，产品广泛用于石化，电厂，化工等领域。可生产 AM350,SS316,Hastelloy-C Inconel 718 和 Titanium 等材料的焊接金属波纹管密封。产品大量出口伊朗，德国，印度尼西亚等市场。

Introduction of metal bellows seal:

Metal bellow seal can be classified as welded metal bellow seal and formed metal bellow seal..

Welded metal bellow seal design doesn't contain dynamic o ring,it will not lead to seal failure because of the wear between secondary seal and shaft. At the same time, bellows can achieve self-cleaning by the centrifugal force generated during rotation.

Our company has years of experience in designing and manufacturing welded metal bellow seals.They're widely used in the field of oil refinery,powerstations and chemical industry.Bellows material could be AM350,SS316,Hastelloy-C,Inconel 718 and Titanium. Each year,Asinoseal's metal bellow seals are exported in big quantities to markets like Iran , Germany ,Indonesia and etc...



Mechanical seal

焊接波纹管机械密封
Metal bellow mechanical seals

	1	2	3	4	5	6	7	8
Size/Metric (d)	D3	D6	D7	L3	L8	L4		
A	16	30.0	23	27	32.5	17.5	10.0	
	18	32.0	27	33	30.5	14.0	11.5	
	20	33.5	29	35	30.5	14.0	11.5	
	22	36.5	31	37	30.5	14.0	11.5	
	24	39.0	33	39	28.5	19.5	11.5	
	25	39.6	34	40	28.5	19.5	11.5	
B	28	42.8	37	43	31.0	19.5	11.5	
	30	45.0	39	45	31.0	19.5	11.5	
	32	46.0	42	48	31.0	19.5	11.5	
	33	48.0	42	48	31.0	19.5	11.5	
	35	49.2	44	50	31.0	19.5	11.5	
	38	52.3	49	56	31.0	22.0	14.0	
	40	55.5	51	58	31.0	22.0	14.0	
C	43	57.5	54	61	31.0	22.0	14.0	
	45	58.7	56	63	31.0	22.0	14.0	
	48	61.9	59	66	31.0	22.0	14.0	
	50	65.0	62	70	32.5	23.0	15.0	
	53	68.2	65	73	32.5	23.0	15.0	
	55	70.0	67	75	32.5	23.0	15.0	
D	58	71.7	70	78	37.5	23.0	15.0	
	60	74.6	72	80	37.5	23.0	15.0	
	63	79.0	75	83	37.5	23.0	15.0	
	65	84.1	77	85	37.5	23.0	15.0	
	68	87.3	81	90	34.5	26.0	18.0	
E	70	87.3	83	92	42.0	26.0	18.0	
	75	95.0	88	97	42.0	26.0	18.0	
	80	98.4	95	105	41.8	26.2	18.2	
	85	104.7	100	110	41.8	26.2	18.2	
	90	111.0	105	115	46.8	26.2	18.2	
	95	114.0	110	120	47.8	25.2	17.2	
F	100	117.4	115	125	47.8	25.2	17.2	

结构说明 (Structure Description):
Equivalent to Burgmann MPL85N
焊接波纹管机械密封 (welded metal bellows design)

运行参数 (Operating Limits):
温度 (Temperature): -20---220°C
转速 (Speed): 20m/s
压力 (Pressure): 25bar
标准尺寸 (Standard size): 16 - 100mm

常用材料组合 (Material):
密封环 (Seal ring): 石墨, 碳化硅, 氧化铝 (Car, SiC, SiC, Al₂O₃)
辅助密封 (Secondary seal): 丁腈橡胶, 乙丙橡胶, 氟橡胶, 全氟橡胶等 (NBREPM, Viton, Kalrez etc.)
金属零件 (Spring and metal parts): 304, 316, AMS30, HAST, C, Inconel 718, Titanium

CUSTOMER:	www.asinoseal.com	ASINOSEAL CO.,LTD
P.O. NO.:	Tel:+86-512-58227959	张家港爱斯迪机械密封有限公司
REF:	Fax:+86-512-58228759	
DRAWN BY:	STA'D:	Installation Drawing
CHECKED:		TYPE & SIZE:
APPV:		AS-BM85
SCALE:	DATE:	PAGE: X/X





焊接波纹管机械密封
Metal bellow mechanical seals

1	2	3	4	5	6	7	8
Size/Metric (d)	D3	D6	D7	L3	L5	L4	
16	38	29.0	35.0	46.5	19.5	11.5	
18	40	31.0	37.0	46.5	19.5	11.5	
20	42	34.0	40.0	46.5	19.5	11.5	
22	44	37.0	43.0	46.5	19.5	11.5	
24	46	37.0	43.0	46.5	19.5	11.5	
25	47	39.0	45.0	46.5	19.5	11.5	
28	50	42.0	48.0	46.5	19.5	11.5	
30	52	44.0	50.0	46.5	19.5	11.5	
32	54	49.0	56.0	46.5	22.0	14.0	
33	55	49.0	56.0	46.5	22.0	14.0	
35	57	51.0	58.0	46.5	22.0	14.0	
38	60	54.0	61.0	46.5	22.0	14.0	
40	66	56.0	63.0	47.5	22.0	14.0	
43	69	59.0	66.0	47.5	22.0	14.0	
45	71	62.0	70.0	47.5	23.0	15.0	
48	74	65.0	73.0	47.5	23.0	15.0	
50	76	67.0	75.0	47.5	23.0	15.0	
53	79	70.0	78.0	47.5	23.0	15.0	
55	81	72.0	80.0	47.5	23.0	15.0	
58	85	75.0	83.0	53.0	23.0	15.0	
60	87	77.0	85.0	53.0	23.0	15.0	
63	90	81.0	90.0	53.0	26.0	18.0	
65	92	83.0	92.0	53.0	26.0	18.0	
68	95	88.0	97.0	53.0	26.0	18.0	
70	97	88.0	97.0	53.0	26.0	18.0	
75	102	95.0	105.0	52.8	26.2	18.2	
80	107	100.0	110.0	52.8	26.2	18.2	
85	112	105.0	115.0	52.8	26.2	18.2	
90	117	110.0	120.0	53.8	25.2	17.2	
95	122	115.0	125.0	53.8	25.2	17.2	
100	127	122.2	134.3	54.0	30.0	20.0	

结构说明(Structure Description):
Equivalent to Burgmann metal bellow seal MFLWT80 type.
焊接波纹管机械密封 (Welded metal bellows design. With torque transmission)

运行参数(Operating Limits):
温度(Temperature): -20---400°C
线速(Speed): 20m/s
压力(Pressure): 25bar
标准尺寸(Standard size): 16 - 100mm

常用材料组合(Material):
密封环(Seal ring): 石墨, 碳化硅, 氧化铝 (Car, Sic, Ssic, Tc)
辅助密封(Secondary seals): 聚四氟乙烯 (Carbon, graphite)
金属波纹管(Spring and metal parts): 304, 316, A16550, HAST.C, Inconel 718, Titanium

CUSTOMER:	www.asinoseal.com	ASINOSEAL CO.,LTD
P.O. NO.:	Tel:+86-512-58227959	张家港爱斯盾机械密封有限公司
REF:	Fax:+86-512-58228759	
DRAWN BY:	STA'D:	Installation Drawing
CHECKED:		TYPE & SIZE:
APPVD:		AS-BM80T
SCALE:	DATE:	PAGE:X/X





Mechanical seal

焊接波纹管机械密封
Metal bellow mechanical seals

1	2	3	4	5	6	7	8
Size/Metric	d	DS	L1	Size/Inch	d	DS	L1
18	18	32.0	27.5	0.750	19.05	33.32	31.75
20	20	33.3	27.5	0.875	22.23	36.50	31.75
22	22	36.0	27.5	0.937	23.80	38.10	31.75
24	24	38.1	30.0	1.000	25.40	39.67	31.75
25	25	39.0	30.0	1.125	28.58	42.85	31.75
28	28	42.0	32.5	1.250	31.75	46.02	33.32
30	30	44.0	32.5	1.375	34.93	49.20	36.50
32	32	46.0	32.5	1.500	38.10	52.37	36.50
33	33	47.0	32.5	1.625	41.28	55.55	36.50
35	35	49.2	32.5	1.750	44.45	58.72	36.50
38	38	52.4	34.0	1.875	47.63	61.90	38.10
40	40	55.6	34.0	2.000	50.80	65.07	38.10
43	43	58.7	34.0	2.125	53.98	68.25	38.10
45	45	58.7	34.0	2.250	57.15	71.42	39.67
48	48	61.9	34.0	2.375	60.33	74.60	39.67
50	50	65.1	34.5	2.500	63.50	80.95	39.67
53	53	68.3	34.5	2.625	66.68	84.12	41.28
55	55	71.0	34.5	2.750	69.85	87.30	41.28
60	60	74.6	39.5	2.875	73.03	92.08	42.85
65	65	84.1	39.5	3.000	76.20	95.25	42.85
70	70	87.3	45.0	3.125	79.38	98.43	44.45
75	75	95.3	45.0	3.250	82.55	101.60	44.45
80	80	98.4	44.5	3.375	85.73	140.78	44.45
85	85	104.8	44.5	3.500	88.90	107.95	47.63
90	90	108.0	49.5	3.625	92.08	111.13	47.63
95	95	114.3	49.5	3.750	95.25	114.30	47.63
100	100	120.7	49.5	3.875	98.43	117.48	47.63
			4.000	101.60	120.65	47.63	

结构说明:
Equivalent to Johncrane 680 seal
焊接波纹管密封 (Welded metal bellows design)

运行参数(Operating Limits):
温度/Temperature: -20---220°C
转速/Speed: 20m/s
压力/Pressure: 25bar
标准尺寸(Standard size): 18 - 100mm or 0.75" - 4.0"

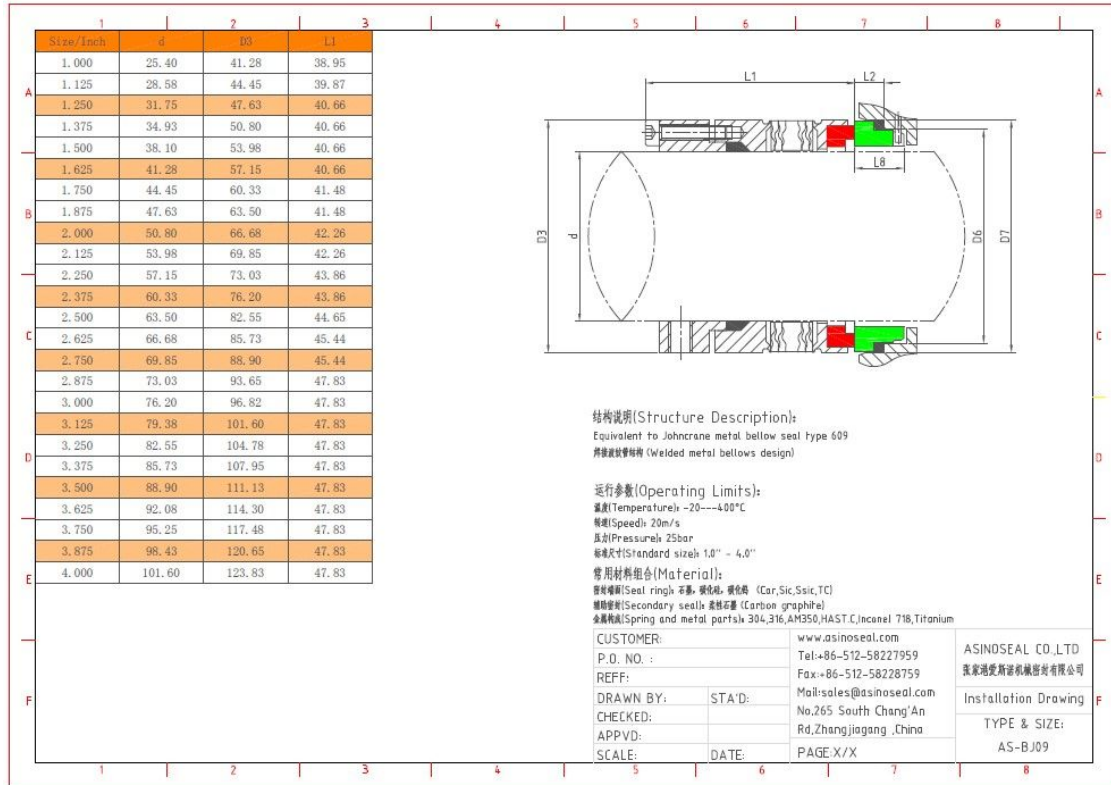
常用材料组合(Material):
波纹管/Seal ring: 不锈钢, 镍钨合金 (Car, Sic, Sic, TC)
辅助密封/Secondary seals: 丁腈橡胶, 乙丙橡胶, 氟橡胶, 全氟醚橡胶等 (NBR, EPDM, Viton, Kalrez etc.)
金属焊丝/Spring and metal parts: 304, 316, AM350, HAST, C, Inconel, Ti18, Titanium

CUSTOMER:	www.asinoseal.com	ASINOSEAL CO.,LTD
P. D. NO. :	Tel:+86-512-58227959	张家港爱斯诺机械有限公司
REFF:	Fax:+86-512-58228759	
DRAWN BY:	STA'D:	Installation Drawing
CHECKED:		TYPE & SIZE:
APPVD:		AS-BJ80
SCALE:	DATE:	PAGE: X / X





焊接波纹管机械密封
Metal bellow mechanical seals





集装式机械密封 Cartridge Mechanical seals range

集装式机械密封简介:

集装式机械密封采用模块化设计，是一个包含轴套，密封组件，压盖为一体的机械密封，由于事先已经安装好，并且通过严格的检测，因此安装比较简单，减少了因为密封安装问题而引起的密封失效，对密封安装人员没有太高的专业要求。

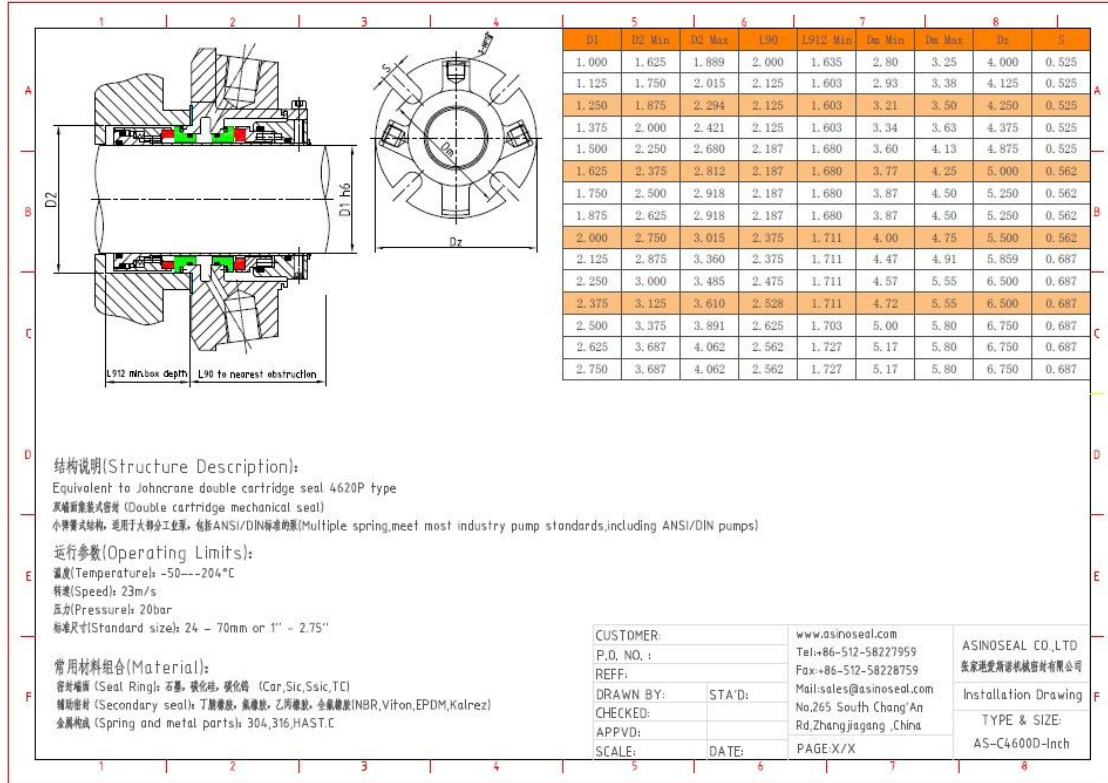


Introduction of cartridge type seal:

Cartridge mechanical seal are made with modular design,it contains sleeve part,component seals part and shaft gland part.Since it passes through rigorous testing and installed in advance before delivery from factory.The installation is relatively simple for end users.Therefore it reduces seal failure caused by seal installation problem and doesn't need so much professional requirements for workers on site.



集装箱式机械密封 Cartridge mechanical seals





集装箱式机械密封
Cartridge mechanical seals

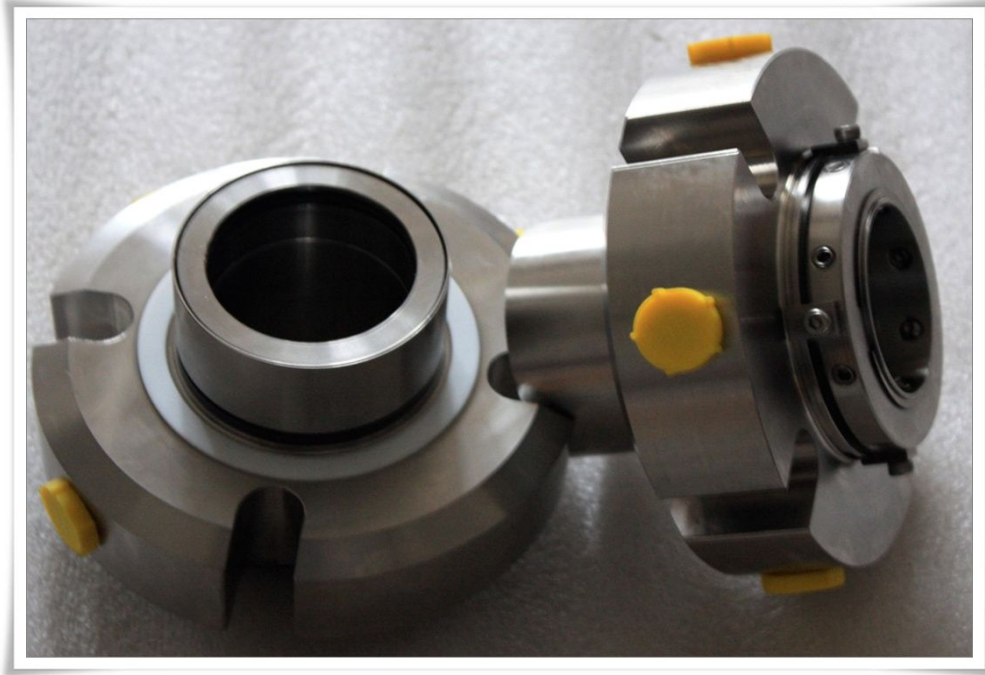
	1	2	3	4	5	6	7	8	9
	D1	D2 Min	D2 Max	190	1912 Min	Dm Min	Dm Max	Ds	S
A	24	41.0	48.0	50.8	41.5	71	83	101.6	13.3
	25	41.0	48.0	50.8	41.5	71	83	101.6	13.3
	28	44.0	51.2	54.0	40.7	74	86	104.8	13.3
	30	46.0	53.3	54.0	40.7	82	89	108.0	13.3
	32	47.6	58.3	54.0	40.7	82	89	108.0	13.3
	33	50.8	61.5	54.0	40.7	85	92	111.1	13.3
	35	50.8	61.5	54.0	40.7	85	92	111.1	13.3
B	38	57.2	68.1	55.5	42.7	91	105	123.8	13.3
	40	60.0	71.4	55.5	42.7	96	108	127.0	14.3
	43	63.5	74.1	55.5	42.7	98	114	133.4	14.3
	45	63.5	74.1	55.5	42.7	98	114	133.4	14.3
	48	66.7	74.1	55.5	42.7	98	114	133.4	14.3
C	50	69.9	76.6	60.3	43.5	102	121	139.7	14.3
	53	73.0	85.3	60.3	43.5	114	125	148.8	17.5
	55	73.0	85.3	60.3	43.5	114	125	148.8	17.5
	58	79.4	91.7	64.2	43.5	120	141	165.1	17.5
	60	79.4	91.7	64.2	43.5	120	141	165.1	17.5
	63	85.7	98.8	66.7	43.3	127	147	171.5	17.5
D	65	85.7	98.8	66.7	43.3	127	147	171.5	17.5
	70	93.6	103.2	65.1	43.9	131	147	171.5	17.5

结构说明 (Structure Description):
Equivalent to double cartridge seal Johncrane 4620 type
双端面集装式密封 (Double cartridge mechanical seal)
小径集装式结构, 适用于大部分工业泵, 包括ANSI/DIN标准的泵 (Multiple spring, meet most industry pump standards, including ANSI/DIN pumps)

运行参数 (Operating Limits):
温度 (Temperature): -50---204°C
转速 (Speed): 23m/s
压力 (Pressure): 20bar
标准尺寸 (Standard size): 24 - 70mm or 1" - 2.75"

常用材料组合 (Materials):
密封端面 (Seal ring): 石墨, 碳化硅 (Car, Sic, Ssic, TC)
辅助密封 (Secondary seal): 丁腈橡胶, 氟橡胶, 乙丙橡胶, 全氟橡胶 (NBR, Viton, EPDM, Kalrez)
金属构成 (Spring and metal parts): 304, 316, HAST.C

CUSTOMER:	www.asinoseal.com	ASINOSEAL CO.,LTD
P.O. NO.:	Tel:+86-512-58227959	张家港爱斯新密封材料有限公司
REFF:	Fax:+86-512-58228759	
DRAWN BY:	STA'D:	Installation Drawing
CHECKED:		TYPE & SIZE:
APPVD:		AS-C4600D-Metric
SCALE:	DATE:	PAGE: X/X





集装箱机械密封 Cartridge mechanical seals

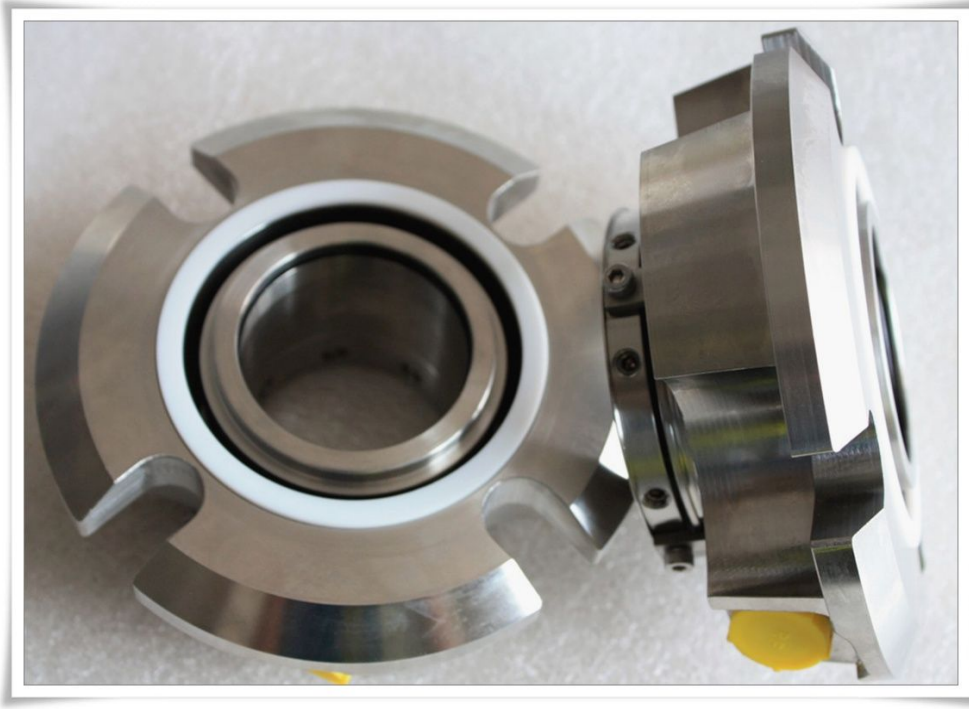
结构说明 (Structure Description):
Equivalent to single cartridge seal Johncrane 5610 type.
单端固定式密封 (Single cartridge mechanical seal)
波形弹簧式, 可有带固定罩密封 (Wave spring type, other type with Bushing design is also available)

运行参数 (Operating Limits):
温度 (Temperature): -50---204°C
转速 (Speed): 23m/s
压力 (Pressure): 20bar
标准尺寸 (Standard size): 24 - 140mm or 1" - 5.5"

常用材料组合 (Materials):
密封端面 (Seal ring): 石墨, 碳化硅, 碳化钨 (Car, Sic, Ssic, TC)
辅助密封 (Secondary seal): 丁腈橡胶, 乙丙橡胶, 氟橡胶, 全氟橡胶 (NBR, EPDM, Viton, Kalrez)
金属构成 (Spring and metal parts): 304, 316, HAST.C

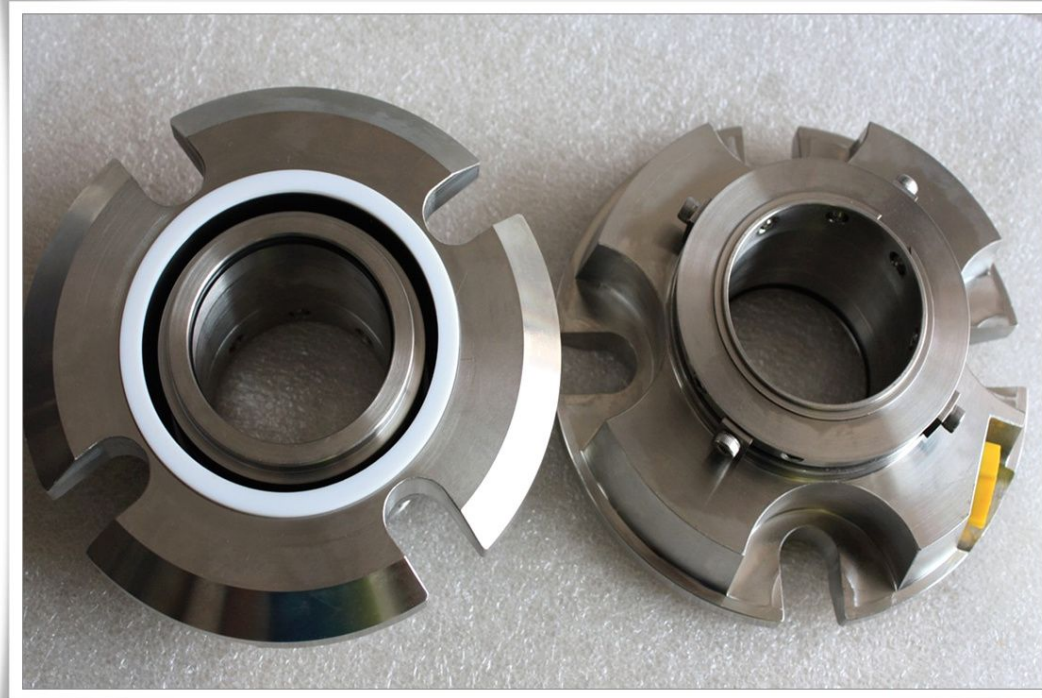
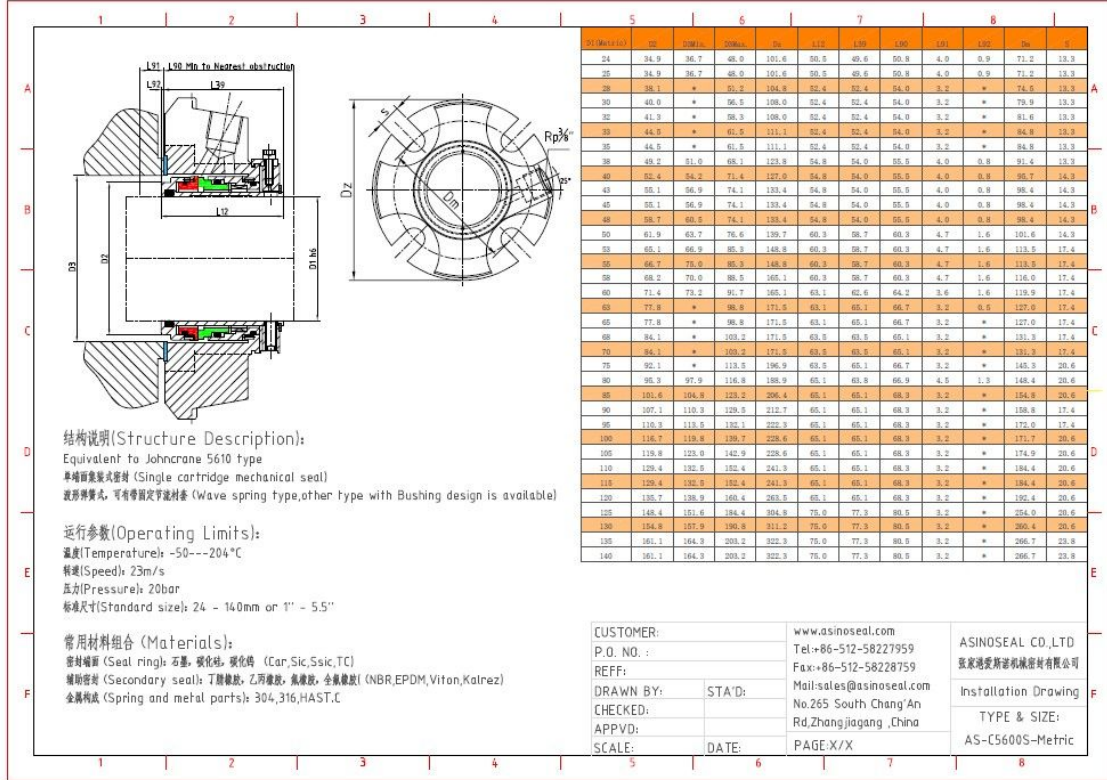
D1 (Inch)	D2	D3	D4	D5	D6	D7	D8	D9	D10	D11	D12	D13	D14	D15	D16	D17	D18	D19	D20
1.000	1.375	1.445	1.889	4.000	1.989	1.954	2.000	0.160	0.035	2.805	0.525								
1.125	1.500	*	2.015	4.125	2.062	2.062	2.125	0.125	*	2.933	0.525								
1.250	1.625	*	2.294	4.250	2.062	2.062	2.125	0.125	*	3.213	0.525								
1.375	1.750	*	2.421	4.375	2.062	2.062	2.125	0.125	*	3.338	0.525								
1.500	1.927	2.007	2.680	4.875	2.156	2.125	2.187	0.156	0.031	3.599	0.525								
1.625	2.062	2.132	2.812	5.000	2.156	2.125	2.187	0.156	0.031	3.766	0.562								
1.750	2.170	2.240	2.918	5.250	2.156	2.125	2.187	0.156	0.031	4.075	0.562								
1.875	2.312	2.382	2.918	5.250	2.156	2.125	2.187	0.156	0.031	3.875	0.562								
2.000	2.427	2.507	3.015	5.500	2.275	2.312	2.375	0.187	0.062	4.000	0.562								
2.125	2.562	2.627	3.380	5.899	2.375	2.312	2.375	0.187	0.062	4.409	0.687								
2.250	2.687	2.757	3.485	6.000	2.375	2.312	2.375	0.187	0.062	4.566	0.687								
2.375	2.812	2.882	3.619	6.000	2.484	2.484	2.628	0.143	0.018	4.719	0.687								
2.500	3.062	*	3.891	6.750	2.484	2.562	2.625	0.125	*	5.000	0.687								
2.625	3.312	*	4.062	6.750	2.500	2.500	2.625	0.125	*	5.170	0.687								
2.750	3.312	*	4.062	6.750	2.500	2.500	2.642	0.125	*	5.170	0.687								
2.875	3.375	*	4.186	7.000	2.500	2.500	2.642	0.125	*	5.312	0.687								
3.000	3.625	*	4.469	7.750	2.500	2.562	2.625	0.125	*	5.720	0.812								
3.125	3.750	3.853	4.600	7.875	2.562	2.562	2.687	0.125	*	5.845	0.812								
3.250	3.750	3.853	4.600	7.437	2.562	2.510	2.625	0.177	0.092	5.845	0.812								
3.375	4.000	4.125	4.850	8.125	2.562	2.562	2.687	0.125	*	6.095	0.812								
3.500	4.125	4.250	4.975	8.250	2.562	2.562	2.687	0.125	*	6.220	0.812								
3.625	4.218	4.343	5.100	8.375	2.562	2.562	2.687	0.125	*	6.290	0.687								
3.750	4.343	4.468	5.199	8.750	2.562	2.562	2.687	0.125	*	6.770	0.687								
3.875	4.488	4.593	5.375	8.750	2.562	2.562	2.687	0.125	*	6.636	0.812								
4.000	4.585	4.718	5.500	9.000	2.562	2.562	2.687	0.125	*	6.761	0.812								
4.125	4.718	4.843	5.625	9.000	2.562	2.562	2.687	0.125	*	6.886	0.812								
4.250	4.843	4.968	5.750	9.250	2.562	2.562	2.687	0.125	*	7.011	0.812								
4.500	5.093	5.218	6.000	9.500	2.562	2.562	2.687	0.125	*	7.261	0.812								
4.750	5.343	5.468	6.313	10.375	2.562	2.562	2.687	0.125	*	7.574	0.812								
5.000	5.843	5.968	7.260	12.000	2.953	3.043	3.168	0.125	*	10.000	0.812								
5.250	6.093	6.218	7.610	12.250	2.953	3.043	3.168	0.125	*	10.250	0.812								
5.500	6.343	6.468	8.000	12.687	2.953	3.043	3.168	0.125	*	10.500	0.937								

CUSTOMER: www.asinoseal.com
 P.O. NO.: Tel:+86-512-58227959
 REF: Fax:+86-512-58228759
 DRAWN BY: STA'D: Mail:sales@asinoseal.com
 CHECKED: No.265 South Chang'An Rd,Zhangjiagang ,China
 APPVD: Installation Drawing
 SCALE: DATE: PAGE:X/X TYPE & SIZE: AS-C56005-Inch



集装式机械密封

Cartridge mechanical seals





集装箱式机械密封
Cartridge mechanical seals

结构说明(Structure Description):
Equivalent to Johncrane 5620 type
双端箱式密封 (Double cartridge mechanical seal)

运行参数(Operating Limits):
温度(Temperature): -50---204°C
转速(Speed): 23m/s
压力(Pressure): 20bar
标准尺寸(Standard sizes): 24 - 140mm or 1" - 5.5"

常用材料组合 (Materials):
密封端面 (Seal ring): 石墨, 碳化硅, 氧化铝 (Car,Sic,Ssic,TC)
辅助密封 (Secondary seal): 柔性石墨 (Graphite)
金属零件 (Spring and metal parts): Brass,304,316,AM350,Inconel 718,Titanium,HAST.C

D1	D2	D3	D4	D5	D6	D7	D8	D9	D10	
1.000	1.564	1.625	1.889	1.951	2.000	1.751	1.876	4.000	0.525	2.805
1.125	1.689	1.750	2.015	2.062	2.125	1.789	1.914	4.125	0.525	2.933
1.250	1.812	1.875	2.294	2.062	2.125	1.789	1.914	4.250	0.525	3.213
1.375	1.939	2.000	2.421	2.062	2.125	1.789	1.914	4.375	0.525	3.338
1.500	2.167	2.250	2.680	2.125	2.187	1.870	1.995	4.875	0.525	3.599
1.625	2.312	2.375	2.812	2.125	2.187	1.870	1.995	5.000	0.562	3.766
1.750	2.406	2.480	2.918	2.125	2.187	1.870	1.995	5.250	0.562	3.872
1.875	2.549	2.625	2.918	2.125	2.187	1.870	1.995	5.250	0.562	3.875
2.000	2.637	2.750	3.015	2.312	2.375	2.042	2.167	5.500	0.562	4.000
2.125	2.798	2.875	3.360	2.312	2.375	2.042	2.167	5.859	0.687	4.469
2.250	2.923	3.000	3.485	2.312	2.375	2.042	2.167	6.500	0.687	4.566
2.375	3.048	3.125	3.610	2.466	2.825	2.079	2.204	6.500	0.687	4.719
2.500	3.301	3.375	3.891	2.562	2.625	1.982	2.107	6.750	0.687	5.000
2.625	3.551	3.625	4.062	2.500	2.582	2.094	2.219	6.750	0.687	5.170
2.750	3.551	3.625	4.062	2.500	2.582	2.094	2.219	6.750	0.687	5.170
2.875	3.814	3.750	4.186	2.500	2.562	2.094	2.219	7.000	0.687	5.312
3.000	3.864	4.000	4.469	2.562	2.625	2.032	2.157	7.750	0.812	5.720
3.125	4.022	4.125	4.600	2.562	2.687	2.125	2.250	7.875	0.812	5.845
3.250	4.022	4.134	4.600	2.510	2.635	2.177	2.302	7.437	0.812	5.845
3.375	4.246	4.375	4.850	2.562	2.687	2.125	2.250	8.125	0.812	6.695
3.500	4.371	4.500	4.975	2.562	2.687	2.125	2.250	8.250	0.812	6.820
3.625	4.500	4.625	5.100	2.562	2.687	2.125	2.250	8.375	0.687	6.250
3.750	4.625	4.724	5.199	2.562	2.687	2.125	2.250	8.750	0.687	6.770
3.875	4.750	4.875	5.275	2.562	2.687	2.125	2.250	8.750	0.812	6.636
4.000	4.875	5.000	5.500	2.562	2.687	2.125	2.250	9.000	0.812	6.761
4.125	5.000	5.125	5.625	2.562	2.687	2.125	2.250	9.000	0.812	6.986
4.250	5.125	5.250	5.750	2.562	2.687	2.125	2.250	9.250	0.812	7.011
4.500	5.375	5.500	6.000	2.562	2.687	2.125	2.250	9.500	0.812	7.261
4.750	5.625	5.750	6.313	2.562	2.687	2.125	2.250	10.375	0.812	7.574
5.000	6.125	6.760	7.260	3.043	3.168	2.473	2.598	12.000	0.812	10.000
5.250	6.375	7.010	7.510	3.043	3.168	2.473	2.598	12.250	0.812	10.250
5.500	6.625	7.500	8.000	3.043	3.168	2.473	2.598	12.667	0.937	10.500

CUSTOMER: www.asinoseal.com
P.D. NO.: Tel:+86-512-58227959
REF: Fax:+86-512-58228759
DRAWN BY: STA'D: Mail:sales@asinoseal.com
CHECKED: No.265 South Chang'An Rd,Zhangjiagang ,China
APPVD: TYPE & SIZE:
SCALE: DATE: PAGE:X/X AS-CS600D-Inch





集装式机械密封
Cartridge mechanical seals

1912 Min Bor Depth
L922
L29
470 Min To nearest Obstruction
Rp1/4"

DM
DN
DN

1	2	3	4	5	6	7	8	9	10	
20	25	30	35	40	45	50	55	60	65	
24.0	39.7	41.3	48.0	49.6	50.8	44.5	47.7	191.6	13.3	71.2
25.0	39.7	41.3	48.0	49.6	50.8	44.5	47.7	191.6	13.3	71.2
28.0	42.9	44.5	51.2	52.4	54.0	45.4	45.6	194.8	13.3	74.5
30.0	44.5	46.1	56.5	52.4	54.0	45.4	45.6	198.0	13.3	79.9
32.0	46.0	47.6	58.3	52.4	54.0	45.4	45.6	198.0	13.3	81.6
33.0	49.3	50.8	61.5	52.4	54.0	45.4	45.6	111.1	13.3	84.8
35.0	49.3	50.8	61.5	52.4	54.0	45.4	45.6	111.1	13.3	84.8
38.0	55.5	57.2	68.1	54.0	55.5	47.5	50.7	123.8	14.3	91.4
40.0	58.7	60.3	71.4	54.0	55.5	47.5	50.7	127.0	14.3	95.7
43.0	61.1	63.0	74.1	54.0	55.5	47.5	50.7	133.4	14.3	98.4
45.0	61.1	63.0	74.1	54.0	55.5	47.5	50.7	133.4	14.3	98.4
48.0	64.7	66.7	74.1	54.0	55.5	47.5	50.7	133.4	14.3	98.4
50.0	67.9	70.0	76.6	58.7	60.3	51.9	55.0	139.7	14.3	101.6
53.0	71.1	73.0	85.3	58.7	60.3	51.9	55.0	148.8	17.4	113.5
55.0	72.9	75.0	85.3	58.7	60.3	51.9	55.0	148.8	17.4	113.5
58.0	74.2	76.2	88.5	58.7	60.3	51.9	55.0	165.1	17.4	116.0
60.0	77.4	79.4	91.7	62.6	64.2	52.8	56.0	165.1	17.4	119.9
63.0	83.8	85.7	98.8	65.1	66.7	50.3	53.5	171.5	17.4	127.0
65.0	83.8	85.7	98.8	65.1	66.7	50.3	53.5	171.5	17.4	127.0
68.0	90.2	92.1	103.2	63.5	65.1	53.2	56.4	171.5	17.4	131.3
70.0	90.2	92.1	103.2	63.5	65.1	53.2	56.4	171.5	17.4	131.3
75.0	98.1	101.6	113.5	65.1	66.7	51.6	54.8	196.9	20.6	145.3
80.0	102.2	105.0	116.8	63.8	66.9	55.3	58.5	188.9	20.6	148.4
85.0	107.9	111.1	123.2	65.1	68.3	54.0	57.2	206.4	17.4	154.8
90.0	114.3	117.5	129.5	65.1	68.3	54.0	57.2	212.7	17.4	158.6
95.0	117.5	120.0	132.1	65.1	68.3	54.0	57.2	222.3	20.6	172.0
100.0	123.8	127.0	139.7	65.1	68.3	54.0	57.2	228.6	20.6	171.7
105.0	127.0	130.2	142.9	65.1	68.3	54.0	57.2	228.6	20.6	174.9
110.0	136.5	139.7	152.4	65.1	68.3	54.0	57.2	241.3	20.6	184.4
115.0	136.5	139.7	152.4	65.1	68.3	54.0	57.2	241.3	20.6	184.4
120.0	142.9	146.1	160.4	65.1	68.3	54.0	57.2	263.5	20.6	192.4
125.0	155.6	171.7	184.4	77.3	80.5	62.8	66.0	304.8	20.6	254.0
130.0	161.9	176.1	190.8	77.3	80.5	62.8	66.0	311.2	20.6	260.4
135.0	168.3	190.5	203.2	77.3	80.5	62.8	66.0	322.3	23.8	266.7
140.0	168.3	190.5	203.2	77.3	80.5	62.8	66.0	322.3	23.8	266.7

结构说明 (Structure Description):
Equivalent to Johncrane 5620 seal
双端面集装式机械密封 (Double cartridge mechanical seal)

运行参数 (Operating Limits):
温度 (Temperature): -50---204°C
转速 (Speed): 23m/s
压力 (Pressure): 20bar
标准尺寸 (Standard size): 24 - 140mm or 1" - 5.5"

常用材料组合 (Materials):
密封端面 (Seal ring): 石墨, 碳化硅, 氧化铝 (Car, Sic, Ssic, TC)
辅助密封 (Secondary seal): 柔性石墨 (Graphite)
金属构成 (Spring and metal parts): Brass, 304, 316, AM350, Inconel 718, Titanium, HAST.C

CUSTOMER:	www.asinoseal.com	ASINOSEAL CO.,LTD
P.O. NO.:	Tel:+86-512-58227959	张家港爱斯盾密封材料有限公司
REF:	Fax:+86-512-58228759	
DRAWN BY:	STA'D:	Mail:sales@asinoseal.com
CHECKED:		No.265 South Chang'an Rd,Zhangjiagang ,China
APPVD:		
SCALE:	DATE:	PAGE:X/X





集装箱式机械密封
Cartridge mechanical seals

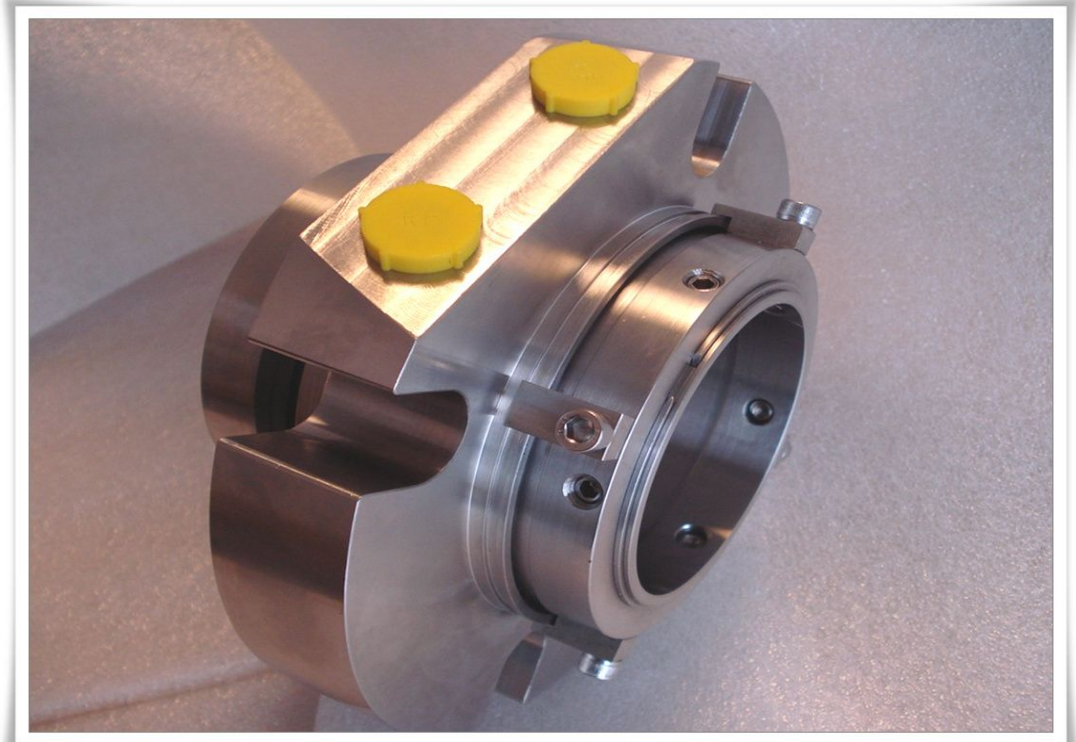
	5	6	7	8	9	10	11	12	13	14	15
	D1	D2	D3min	D3max	Dm	Dz	L1	L2	L3	S	G
22	38.0	40.0	48.0	56	105	15	28	63	14	1/4	
25	43.0	44.0	51.0	58	105	15	28	63	14	1/4	
26	46.0	47.0	52.0	65	105	15	28	63	14	1/4	
28	46.0	47.0	52.0	65	105	15	28	63	14	1/4	
30	48.0	49.0	56.0	65	105	15	28	63	14	1/4	
32	49.8	51.0	57.0	67	105	15	28	63	14	1/4	
33	49.8	51.0	57.0	67	110	15	28	63	14	1/4	
35	53.0	54.0	62.0	70	113	15	28	63	14	3/8	
38	56.0	57.0	66.0	75	123	15	28	63	14	3/8	
40	58.0	59.0	69.0	75	123	15	28	63	16	3/8	
43	60.5	61.5	70.5	80	130	15	28	63	16	3/8	
45	62.5	64.0	73.0	80	130	15	28	63	16	3/8	
48	65.6	67.0	75.0	84	138	15	28	63	16	3/8	
50	68.0	69.0	78.0	87	142	15	28	63	16	3/8	
53	72.0	73.0	87.0	97	147	15	28	63	18	3/8	
55	73.0	74.0	83.0	97	147	15	28	63	18	3/8	
60	78.0	79.0	91.0	102	157	15	28	63	18	3/8	
65	83.0	84.5	99.0	109	163	15	28	63	18	3/8	
70	93.0	95.0	108.0	118	170	19	32	77	18	3/8	
75	98.0	100.0	119.0	129	190	19	32	77	18	3/8	
80	105.0	107.0	124.0	135	195	19	32	77	18	3/8	
85	110.0	112.0	128.0	139	200	19	32	77	22	3/8	
90	115.0	117.0	135.0	145	205	19	32	77	22	3/8	
95	119.0	120.7	137.0	148	210	19	32	77	22	3/8	
100	125.4	127.0	144.0	154	218	19	32	77	22	3/8	

结构说明 (Structure Description):
Equivalent to Ango BE2 type
单端筒安装式密封 (Single cartridge mechanical seal)
小筒筒式结构, 模块化设计, 互换性强 (Multiple spring, Modular design, suitable for stock)

运行参数 (Operating Limits):
温度 (Temperature): -50---204°C
转速 (Speed): 23m/s
压力 (Pressure): 25bar
标准尺寸 (Standard sizes): 22 - 100mm

常用材料组合 (Materials):
密封端面 (Seal ring): 石墨, 碳化硅, 氧化铝 (Car, Sic, Ssic, TC)
辅助密封 (Secondary seal): 丁腈橡胶, 氟橡胶, 乙丙橡胶, 全氟橡胶 (NBR, Viton, EPDM, Kalrez)
金属构件 (Spring and metal parts): 304, 316, HAST.C

CUSTOMER:	www.asinoseal.com	ASINOSEAL CO.,LTD
P.O. NO.:	Tel:+86-512-58227959	张家港爱斯迪机械密封有限公司
REF:	Fax:+86-512-58228759	
DRAWN BY:	STA'D:	Installation Drawing
CHECKED:		TYPE & SIZE:
APPVD:		AS-C23S
SCALE:	DATE:	PAGE:X/X





Mechanical seal

集装箱式机械密封
Cartridge mechanical seals

	1	2	3	4	5	6	7	8			
	D1	D2	D3min	D3max	D4	D5	L1	L2	S	G	
A	22	38.0	40.0	48.0	56	105	36	31	91	14	1/4
	25	43.0	44.0	51.0	58	105	36	31	91	14	1/4
	26	46.0	47.0	52.0	65	105	36	31	91	14	1/4
	28	46.0	47.0	52.0	65	105	36	31	91	14	1/4
	30	48.0	49.0	56.0	65	105	36	31	91	14	1/4
	32	49.8	51.0	57.0	67	105	36	31	91	14	1/4
	33	49.8	51.0	57.0	67	110	36	31	91	14	1/4
B	35	53.0	54.0	62.0	70	113	36	31	91	14	3/8
	38	56.0	57.0	66.0	75	123	36	31	91	14	3/8
	40	58.0	59.0	69.0	75	123	36	31	91	16	3/8
	43	60.5	61.5	70.5	80	130	36	31	91	16	3/8
	45	62.5	64.0	73.0	80	130	36	31	91	16	3/8
C	48	65.6	67.0	75.0	84	138	36	31	91	16	3/8
	50	68.0	69.0	78.0	87	142	36	31	91	16	3/8
	53	72.0	73.0	87.0	97	147	36	31	91	18	3/8
	55	73.0	74.0	83.0	97	147	36	31	91	18	3/8
	60	78.0	79.0	91.0	102	157	36	31	91	18	3/8
	65	83.0	84.5	99.0	109	163	36	31	91	18	3/8
D	70	93.0	95.0	108.0	118	170	46	35	112	18	3/8
	75	98.0	100.0	119.0	129	190	46	35	112	18	3/8
	80	105.0	107.0	124.0	135	195	46	35	112	18	3/8
	75	110.0	112.0	128.0	139	200	46	35	112	22	3/8
	90	115.0	117.0	135.0	145	205	46	35	112	22	3/8
E	95	119.0	120.7	137.0	148	210	46	35	112	22	3/8
	100	125.4	127.0	144.0	154	218	46	35	112	22	3/8

结构说明(Structure Description):
Equivalent to Anga BED seal
双端面非接触式密封 (tandem cartridge seal)
小弹簧式设计, 模块化设计, 互换性强(Multiple spring, Modular design, suitable for stock)

运行参数(Operating Limits):
温度(Temperature): -50---204°C
转速(Speed): 23m/s
压力(Pressure): 25bar
标准尺寸(Standard sizes): 22 - 100mm

常用材料组合 (Materials):
密封端面 (Seal ring): 石墨, 碳化硅, 氮化硅 (Car, Sic, Ssic, TC)
辅助密封 (Secondary seal): 丁腈橡胶, 氟橡胶, 乙丙橡胶, 全氟橡胶 (NBR, Viton, EPDM, FFKM or Kalrez...)
金属构件 (Spring and metal parts): 304, 316, HAST.C

CUSTOMER:	www.asinoseal.com	ASINOSEAL CO.,LTD
P.O. NO. :	Tel:+86-512-58227959	张家港爱斯诺机械密封有限公司
REF:	Fax:+86-512-58228759	Installation Drawing
DRAWN BY:	STA'D:	TYPE & SIZE:
CHECKED:	Mail-sales@asinoseal.com	AS-C23D
APPVD:	No.265 South Chang'An Rd,Zhangjiagang ,China	
SCALE:	DATE:	PAGE:X/X





集装式机械密封
Cartridge mechanical seals

D1	D2	D3min	D3max	L1	L2	L3	Na	Dz	S	
25	43.0	44.0	51.5	67	42.4	24.6	25.4	62	105	13.2
28	46.0	47.0	52.0	67	42.4	24.6	25.4	62	105	13.2
30	48.0	49.0	56.0	67	42.4	24.6	25.4	65	105	13.2
32	49.8	51.0	57.0	67	42.4	24.6	25.4	67	108	13.2
33	49.8	51.0	57.0	67	42.4	24.6	25.4	67	108	13.2
35	53.0	54.0	61.5	67	42.4	24.6	25.4	70	113	13.2
38	56.0	57.0	66.0	67	42.4	24.6	25.4	75	123	13.2
40	58.0	59.0	68.0	67	42.4	24.6	25.4	75	123	14.2
42	60.5	61.5	69.5	67	42.4	24.6	25.4	80	133	14.2
43	60.5	61.5	70.5	67	42.4	24.6	25.4	80	133	14.2
45	62.5	64.0	73.0	67	42.4	24.6	25.4	81	138	14.2
48	65.6	67.0	75.0	67	42.4	24.6	25.4	84	138	14.2
50	68.0	69.0	78.0	67	42.4	24.6	25.4	87	148	14.2
53	72.0	73.0	87.0	67	42.4	24.6	25.4	97	148	18.0
55	73.0	74.0	83.0	67	42.4	24.6	25.4	90	148	18.0
60	78.0	79.0	91.0	67	42.4	24.6	25.4	102	157	18.0
65	84.8	85.7	98.5	67	42.4	24.6	25.4	109	163	18.0
70	93.0	95.0	108.0	67	42.4	24.6	25.4	118	178	18.0
75	100.0	101.6	118.0	84	57.4	26.6	28.0	129	190	18.0
80	106.4	108.0	124.0	84	57.4	26.6	28.0	135	195	18.0
85	109.5	111.1	128.0	84	57.4	26.6	28.0	139	198	22.0
90	115.9	117.5	135.0	84	57.4	26.6	28.0	145	205	22.0
95	119.1	120.7	138.0	84	57.4	26.6	28.0	148	208	22.0
100	125.4	127.0	144.0	84	57.4	26.6	28.0	154	218	22.0

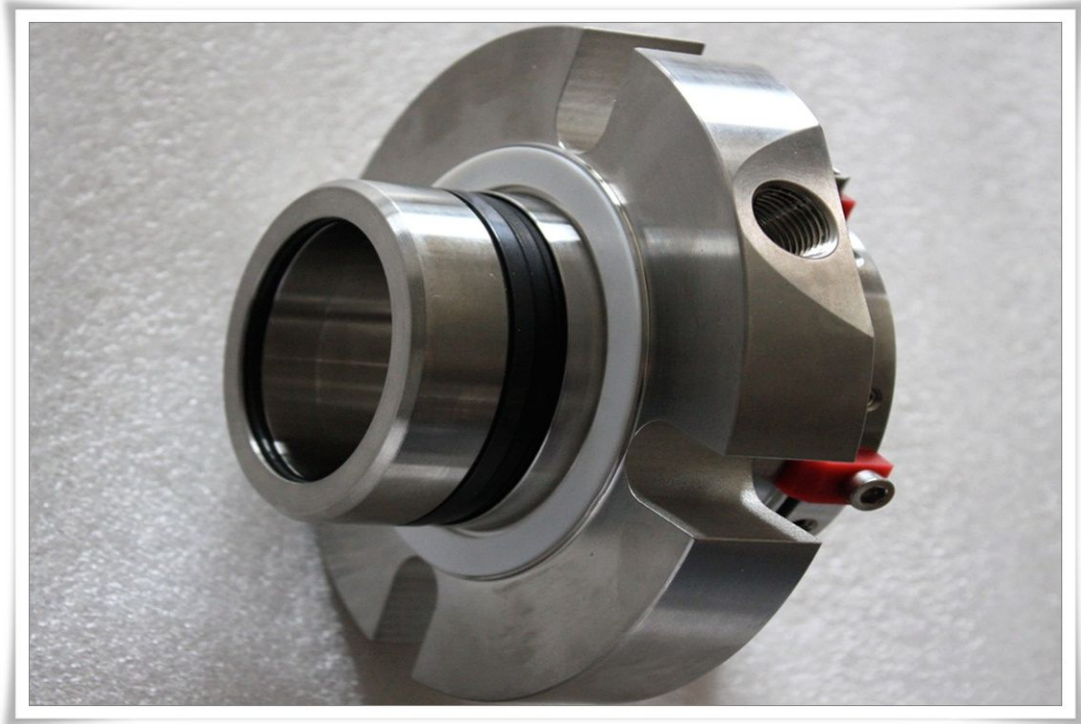
结构说明(Structure Description):
Equivalent to Burgmann CarTex-SN type
单端面集装式密封 (Single cartridge mechanical seal)
小弹簧结构, 平衡型, 通用性强 (Multiple spring, balanced, most popular type)

运行参数(Operating Limits):
温度(Temperature): -50---204°C
转速(Speed): 23m/s
压力(Pressure): 20bar
标准尺寸(Standard sizes): 25 - 100mm or 1" - 4.00"

常用材料组合(Material):
密封环(Seal ring): 石墨, 碳化硅, 碳化钨 (Car, Sic, Ssic, Tc)
辅助密封(Secondary seal): 丁腈橡胶, 乙丙橡胶, 氟橡胶, 全氟橡胶 (NBR, EPDM, Viton, Kalrez)
金属构成(Spring and Metal parts): 304, 316, HAST-C

CUSTOMER: www.asinoseal.com
P.O. NO.: Tel:+86-512-58227959
REF: Fax:+86-512-58228759
DRAWN BY: STA'D: Mail:sales@asinoseal.com
CHECKED: No.265 South Chang'An Rd,Zhangjiagang ,China
APPVD:
SCALE: DATE: PAGE:X/X

ASINOSEAL CO.,LTD
张家港爱斯诺机械密封有限公司
Installation Drawing
TYPE & SIZE:
AS-C26S





集装箱式机械密封
Cartridge mechanical seals

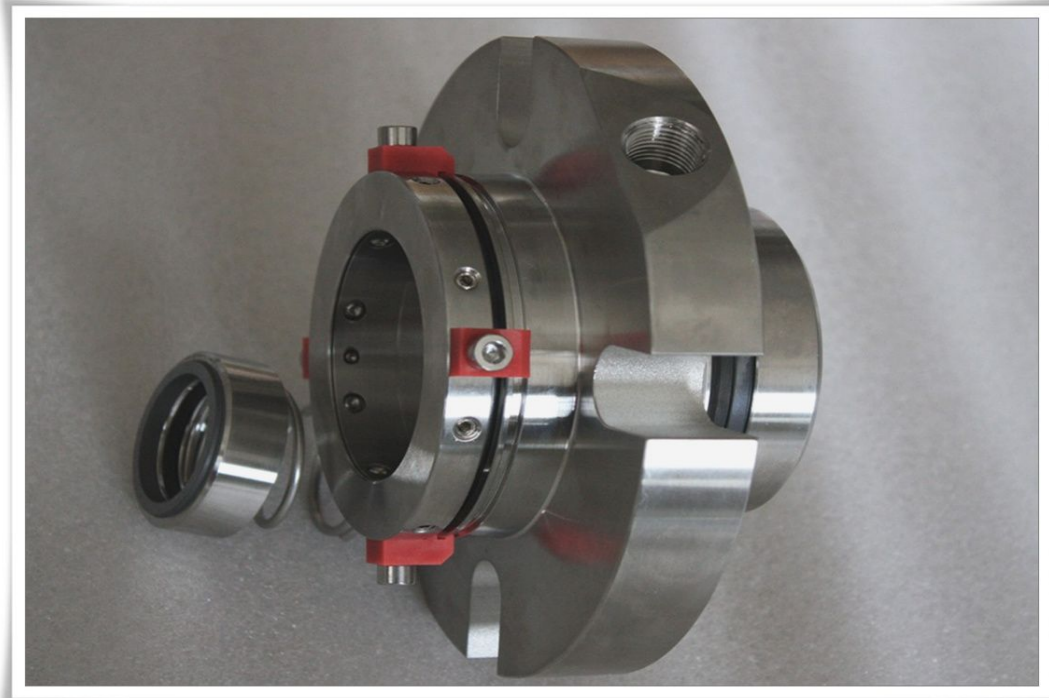
D1	D2	D3min	D3max	L1	L2	L4	L	Dm	a2	Dz	S
25	43.0	44.0	51.5	53.4	33.1	25.4	86.5	62	65	105	13.2
28	46.0	47.0	52.0	53.4	33.1	25.4	86.5	62	65	105	13.2
30	48.0	49.0	56.0	53.4	33.1	25.4	86.5	65	67	105	13.2
32	49.8	51.0	57.0	53.4	33.1	25.4	86.5	67	70	108	13.2
33	49.8	51.0	57.0	53.4	33.1	25.4	86.5	67	70	108	13.2
35	53.0	54.0	61.5	53.4	33.1	25.4	86.5	70	72	113	13.2
38	56.0	57.0	66.0	53.4	33.1	25.4	86.5	75	75	123	13.2
40	58.0	59.0	68.0	53.4	33.1	25.4	86.5	75	77	123	14.2
42	60.5	61.5	69.5	53.4	33.1	25.4	86.5	80	80	133	14.2
43	60.5	61.5	70.5	53.4	33.1	25.4	86.5	80	80	133	14.2
45	62.5	64.0	73.0	53.4	33.1	25.4	86.5	81	82	138	14.2
48	65.6	67.0	75.0	53.4	33.1	25.4	86.5	84	85	138	14.2
50	68.0	69.0	78.0	53.4	33.1	25.4	86.5	87	87	148	14.2
53	72.0	73.0	87.0	53.4	33.1	25.4	86.5	97	97	148	18.0
55	73.0	74.0	83.0	53.4	33.1	25.4	86.5	90	92	148	18.0
60	78.0	79.0	91.0	53.4	33.1	25.4	86.5	102	102	157	18.0
65	84.8	85.7	98.5	53.4	33.1	25.4	86.5	109	109	163	18.0
70	93.0	95.0	108.0	53.4	33.1	25.4	86.5	118	118	178	18.0
75	100.0	101.6	118.0	63.9	44.1	28.0	108.0	129	129	190	18.0
80	106.4	108.0	124.0	63.9	44.1	28.0	108.0	135	135	195	18.0
85	109.5	111.1	128.0	63.9	44.1	28.0	108.0	139	139	198	22.0
90	115.9	117.5	135.0	63.9	44.1	28.0	108.0	145	145	205	22.0
95	119.1	120.7	138.0	63.9	44.1	28.0	108.0	148	148	208	22.0
100	123.4	127.0	144.0	63.9	44.1	28.0	108.0	154	154	218	22.0

结构说明(Structure Description):
Equivalent to Burgmann Cartex-DN seal
双端面集装式密封 (Double cartridge mechanical seal)
小弹簧结构, 平衡型, 通用性强 (Multiple spring ,balanced,most popular type)

运行参数(Operating Limits):
温度(Temperature): -50---204°C
转速(Speed): 23m/s
压力(Pressure): 20bar
标准尺寸(Standard size): 25 - 100mm or 1" - 4.00"

常用材料组合(Material):
密封端面(Seal ring): 石墨, 碳化硅, 碳化钨 (Car,Sic,Ssic,TC)
辅助密封(Secondary seal): 丁腈橡胶, 乙丙橡胶, 氟橡胶, 全氟橡胶 (NBR,EPDM,Viton,Kalrez)

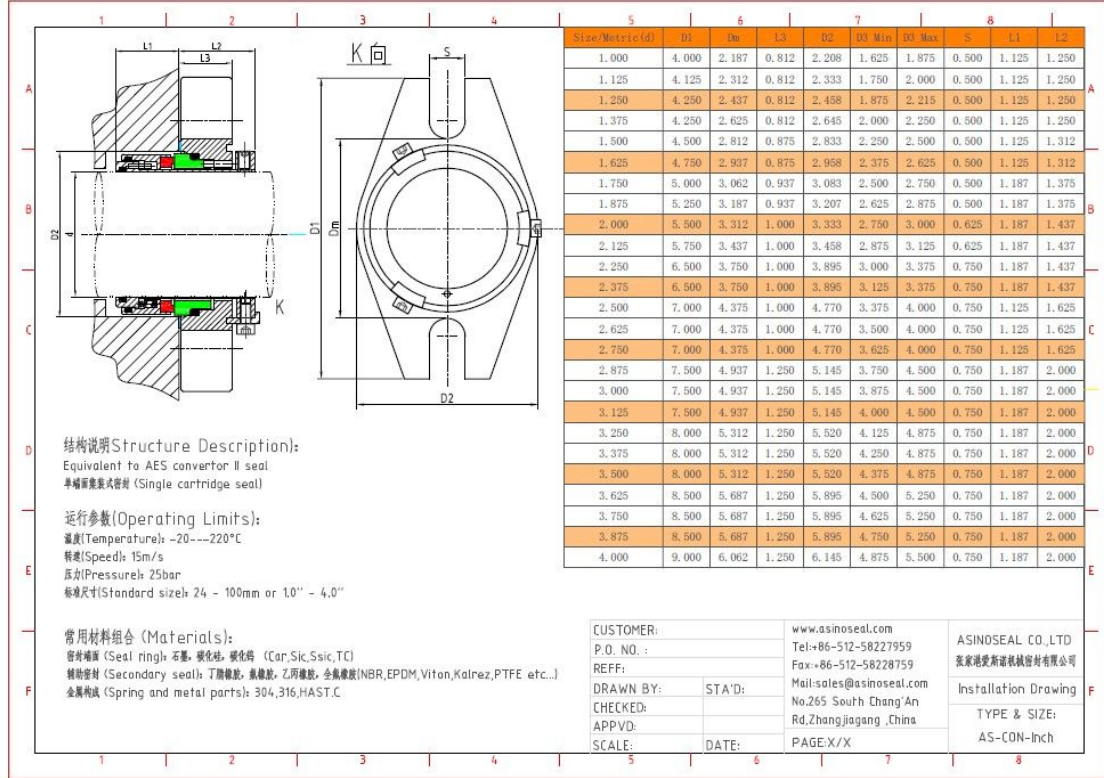
CUSTOMER:	www.asinoseal.com	ASINOSEAL CO.,LTD
P.O. NO.:	Tel:+86-512-58227959	张家港新诺机械密封有限公司
REF:	Fax:+86-512-58228759	
DRAWN BY:	STA'D:	Installation Drawing
CHECKED:		TYPE & SIZE:
APPVD:		AS-C26D
SCALE:	DATE:	PAGE:X/X





Mechanical seal

集装箱式机械密封
Cartridge mechanical seals





集装式机械密封
Cartridge mechanical seals

Item No.	D1	D2	L3	D2	D1 Min	D1 Max	S	L1	L2
24	101.6	55.6	20.7	56.1	40.0	48.0	12	28.6	31.8
25	101.6	55.6	20.7	56.1	41.0	48.0	12	28.6	31.8
28	104.8	58.8	20.7	59.3	44.0	50.0	12	28.6	31.8
30	108.0	61.9	20.7	62.4	46.0	54.0	12	28.6	31.8
32	108.0	61.9	20.7	62.4	48.0	54.0	12	28.6	31.8
33	108.0	61.9	20.7	62.4	49.0	55.0	12	28.6	31.8
35	108.0	66.7	20.7	67.2	51.0	59.0	12	28.6	31.8
38	114.3	71.5	22.3	72.0	57.2	62.0	12	28.6	33.4
40	114.3	71.5	22.3	72.0	58.0	64.0	12	28.6	33.4
43	120.7	74.6	22.3	75.1	61.0	67.0	12	28.6	33.4
45	127.0	77.8	23.8	78.3	63.5	69.0	12	30.2	35.0
48	133.4	81.0	23.8	81.5	66.7	72.0	12	30.2	35.0
50	133.4	81.0	23.8	81.5	68.0	74.0	12	30.2	35.0
53	139.7	84.2	25.4	84.7	71.0	77.0	16	30.2	36.5
55	146.1	87.3	25.4	87.8	74.0	79.0	16	30.2	36.5
58	165.1	95.3	25.4	96.9	79.4	85.7	20	30.2	36.5
60	165.1	95.3	25.4	96.9	79.4	85.7	20	30.2	36.5
63	177.8	111.2	25.4	121.2	85.8	101.6	20	28.6	41.2
65	177.8	111.2	25.4	121.2	88.9	101.6	20	28.6	41.2
68	177.8	111.2	25.4	121.2	92.1	101.6	20	28.6	41.2
70	177.8	111.2	25.4	121.2	92.1	101.6	20	28.6	41.2
75	190.5	125.4	31.7	130.7	98.5	114.3	20	30.2	50.8
80	190.5	125.4	31.7	130.7	101.6	114.3	20	30.2	50.8
85	203.2	135.0	31.7	140.2	106.0	123.8	20	30.2	50.8
90	215.9	144.5	31.7	149.7	114.3	133.3	20	30.2	50.8
95	215.9	144.5	31.7	149.7	117.5	133.3	20	30.2	50.8
100	228.6	154.0	31.7	156.1	123.9	139.7	20	30.2	50.8

结构说明 (Structure Description):
Equivalent to AES Converter II seal
单端面集装式密封 (Single cartridge seal)

运行参数 (Operating Limits):
温度 (Temperature): -20---220°C
转速 (Speed): 15m/s
压力 (Pressure): 25bar
标准尺寸 (Standard size): 24 - 100mm or 1.0" - 4.0"

常用材料组合 (Materials):
密封端面 (Seal ring): 石墨, 碳化硅, 氧化铝 (Car,Sic,Ssic,TC)
辅助密封 (Secondary seal): 丁腈橡胶, 氟橡胶, 乙丙橡胶, 全氟橡胶 (NBR,EPDM,Viton,Kalrez,PTFE etc.)
金属附件 (Spring and metal parts): 304,316,HAST.C

CUSTOMER:	www.asinoseal.com	ASINOSEAL CO.,LTD
P.O. NO.:	Tel:+86-512-58227959	张家港爱斯耐密封有限公司
REF:	Fax:+86-512-58228759	
DRAWN BY:	STA'D: Mail:sales@asinoseal.com	Installation Drawing
CHECKED:	No.265 South Chang'An Rd,Zhangjiagang ,China	TYPE & SIZE:
APPVD:		AS-CON-Metric
SCALE:	DATE:	PAGE:X/X





Mechanical seal

集装箱式机械密封
Cartridge mechanical seals

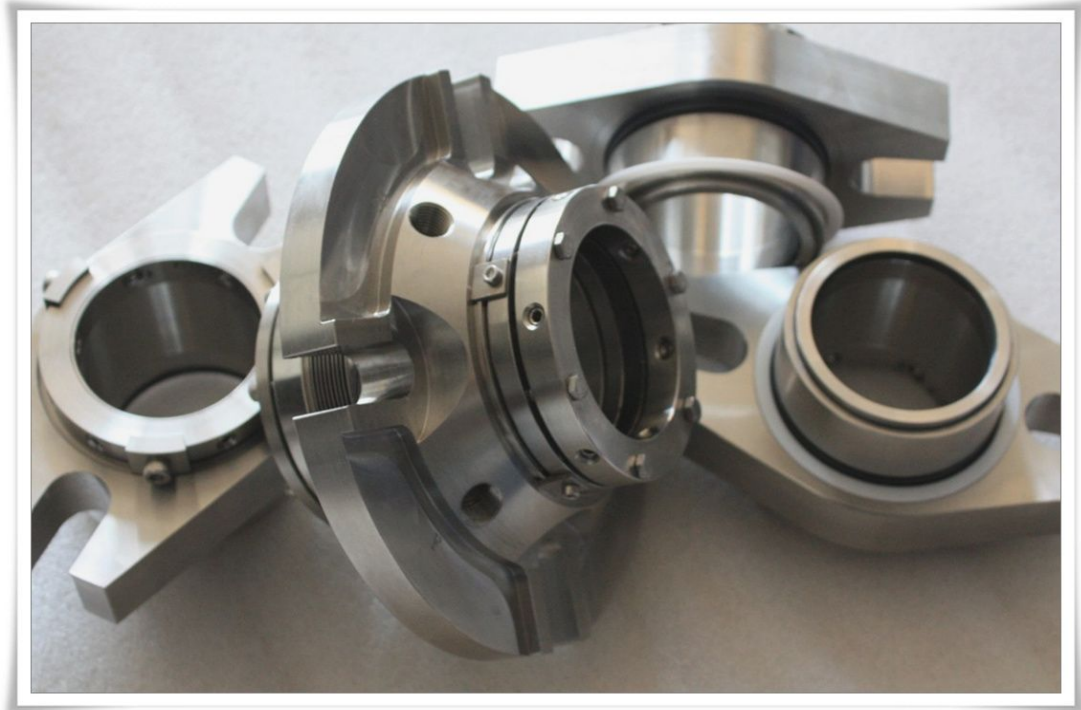
Size/Inch (d)	De	De	D3 min	D3 max	S max	L1	L2
1.000	4.125	2.125	1.625	1.937	1/2	1.500	2.062
1.125	4.250	2.250	1.750	2.062	1/2	1.500	2.062
1.250	4.375	2.375	1.875	2.187	1/2	1.500	2.062
1.375	4.375	2.500	2.000	2.250	1/2	1.500	2.062
1.500	5.000	2.812	2.250	2.375	1/2	1.625	2.062
1.625	5.000	2.812	2.375	2.500	1/2	1.625	2.062
1.750	5.500	3.187	2.500	2.750	1/2	1.625	2.062
1.875	5.500	3.187	2.625	2.875	1/2	1.625	2.062
2.000	6.000	3.562	2.750	3.000	1/2	1.750	2.062
2.000-AC	5.250	3.450	2.750	3.000	1/2	1.750	2.062
2.125	6.000	3.562	2.875	3.125	1/2	1.750	2.062
2.250	6.500	3.812	3.000	3.250	5/8	1.750	2.062
2.375	6.500	3.812	3.125	3.375	5/8	1.750	2.062
2.500	7.000	4.312	3.375	3.625	5/8	1.937	2.437
2.625	7.000	4.312	3.500	3.750	5/8	1.937	2.437
2.750	7.000	4.312	3.625	3.875	5/8	1.937	2.437
2.875	7.500	4.937	3.750	4.125	5/8	1.937	2.437
3.000	7.500	4.937	3.875	4.250	5/8	2.000	2.437
3.125	7.500	4.937	4.000	4.375	5/8	2.000	2.437
3.250	8.000	5.312	4.125	4.500	3/4	2.000	2.437
3.375	8.000	5.312	4.250	4.625	3/4	2.000	2.437
3.500	8.000	5.312	4.375	4.750	3/4	2.000	2.437
3.625	8.500	5.937	4.500	5.000	3/4	2.000	2.437
3.750	8.500	5.937	4.625	5.125	3/4	2.000	2.437
3.875	9.000	6.625	4.875	5.500	3/4	2.000	2.437
4.000	9.000	6.625	4.875	5.500	3/4	2.000	2.437

结构说明 (Structure Description):
Equivalent to AES BSG Seal
单端密封管式机械密封 (Metal bellows single cartridge mechanical seal)
焊接波纹管结构, 无任何橡胶件 (Welded metal bellows design, no elastomers)

运行参数 (Operating Limits):
温度 (Temperature): -75---425°C
转速 (Speed): 23m/s
压力 (Pressure): 25bar
标准尺寸 (Standard sizes): 24 - 100mm or 1" - 4.00"

常用材料组合 (Materials):
密封端面 (Seal ring): 石墨, 碳化硅, 氧化铝 (Car, Sic, Ssic, Tc)
辅助密封 (Secondary seal): 柔性石墨 (Graphite)
金属构成 (Spring and metal parts): Brass, 304, 316, AM350, Inconel 718, Titanium, HAST.C

CUSTOMER:	www.asinoseal.com	ASINOSEAL CO.,LTD
P.O. NO.:	Tel:+86-512-58227959	张家港爱斯诺机械密封有限公司
REF:	Fax:+86-512-58228759	
DRAWN BY:	STA'D:	Installation Drawing
CHECKED:		TYPE & SIZE:
APPVD:		AS-CMBS-Inch
SCALE:	DATE:	PAGE:X/X





集装箱式机械密封
Cartridge mechanical seals

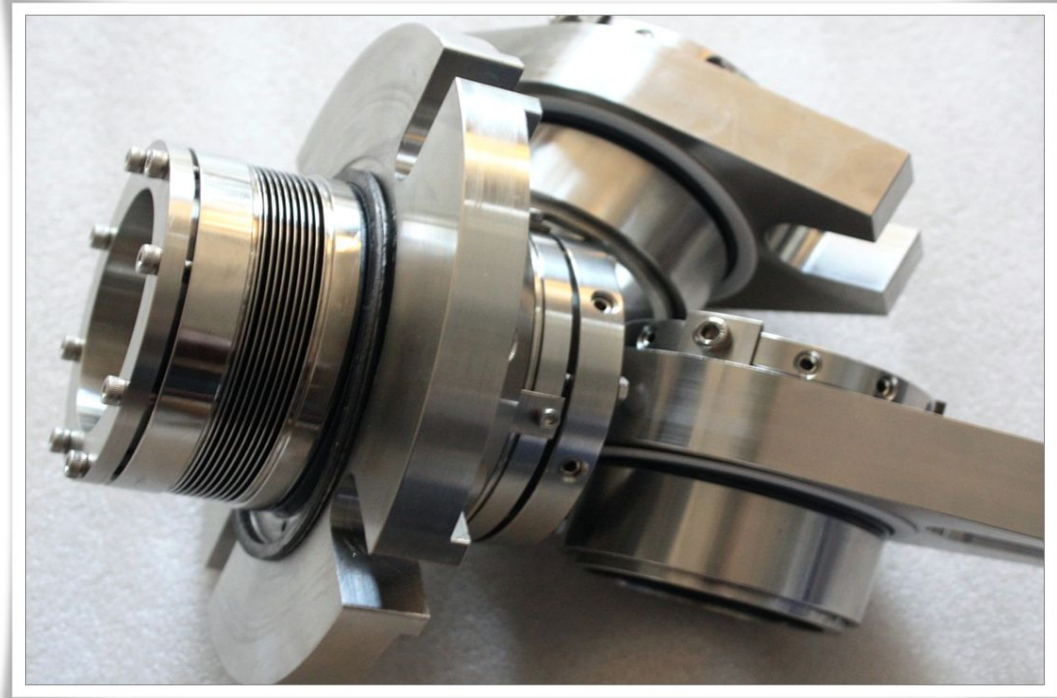
Size/Metric (D)	Dz	Dm	D3_min	D3_max	S_max	L1	L2
24	104.8	49.2	41.0	49.0	12	38.1	52.3
25	104.8	49.2	41.0	49.0	12	38.1	52.3
28	108.0	52.4	44.0	52.3	12	38.1	52.3
30	111.0	55.6	46.0	55.5	12	38.1	52.3
32	111.0	55.6	48.0	55.5	12	38.1	52.3
33	111.0	55.6	49.0	55.5	12	38.1	52.3
35	111.0	58.8	51.0	57.5	12	38.1	52.3
38	127.0	65.0	57.2	60.3	12	41.3	52.3
40	127.0	65.0	58.0	60.4	12	41.3	52.3
43	127.0	65.0	61.0	63.5	12	41.3	52.3
45	139.7	71.4	63.5	69.9	12	41.3	52.3
48	139.7	71.4	66.7	73.0	12	41.3	52.3
50	139.7	71.4	68.0	73.0	12	41.3	52.3
53	152.4	77.8	71.0	76.2	12	44.5	52.3
55	152.4	77.8	74.0	79.4	12	44.5	52.3
58	165.1	84.1	76.2	82.5	16	44.5	52.3
60	165.1	84.1	79.4	85.7	16	44.5	52.3
63	177.8	96.8	85.8	92.1	16	49.2	62.0
65	177.8	96.8	88.9	95.3	16	49.2	62.0
68	177.8	96.8	92.1	98.4	16	49.2	62.0
70	177.8	96.8	92.1	98.4	16	50.8	62.0
75	190.5	108.0	98.5	108.0	16	50.8	62.0
80	190.5	108.0	101.6	111.1	16	50.8	62.0
85	203.2	117.5	108.0	117.5	20	50.8	62.0
90	215.9	127.0	114.3	127.0	20	50.8	62.0
95	215.9	127.0	117.5	130.2	20	50.8	62.0
100	228.6	136.5	123.9	139.7	20	50.8	62.0

结构说明 (Structure Description):
Equivalent to AES B5FG Seal
半端面波纹管集装式密封 (Metal bellows single cartridge mechanical seal)
焊接波纹管结构, 无任何橡胶件 (Welded metal bellows design, no elastomers)

运行参数 (Operating Limits):
温度 (Temperature): -75---+25°C
转速 (Speed): 23m/s
压力 (Pressure): 25bar
标准尺寸 (Standard size): 24 - 100mm or 1" - 4.00"

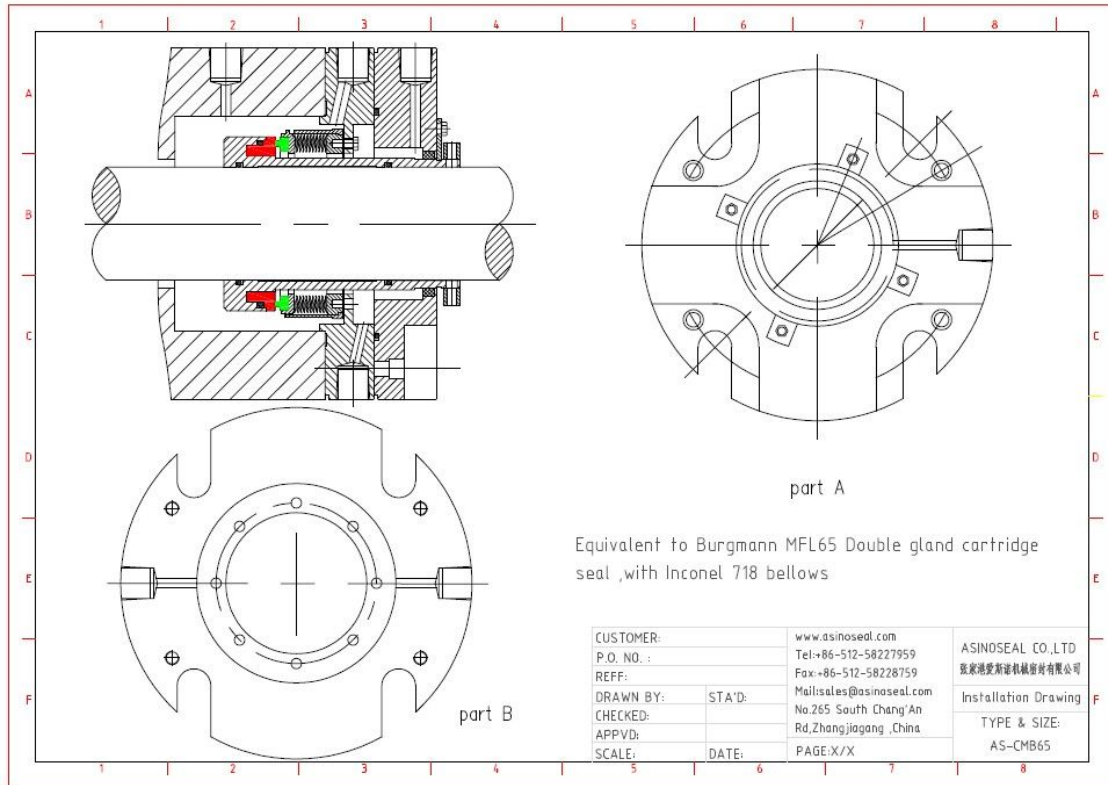
常用材料组合 (Materials):
密封端面 (Seal ring): 石墨, 碳化硅, 氧化铝 (Car,Sic,Ssic,TC)
辅助密封 (Secondary seal): 柔性石墨 (Graphite)
金属波纹管 (Spring and metal parts): Brass,304,316,AM350,Inconel 718,Titanium,HAST.C

CUSTOMER:	www.asinoseal.com	ASINOSEAL CO.,LTD 张家港爱斯盾机械密封有限公司
P.O. NO.:	Tel:+86-512-58227959	
REF:	Fax:+86-512-58228759	Installation Drawing
DRAWN BY:	STA'D:	
CHECKED:		TYPE & SIZE:
APPVD:		AS-CMBS-Metric
SCALE:	DATE:	PAGE:X/X



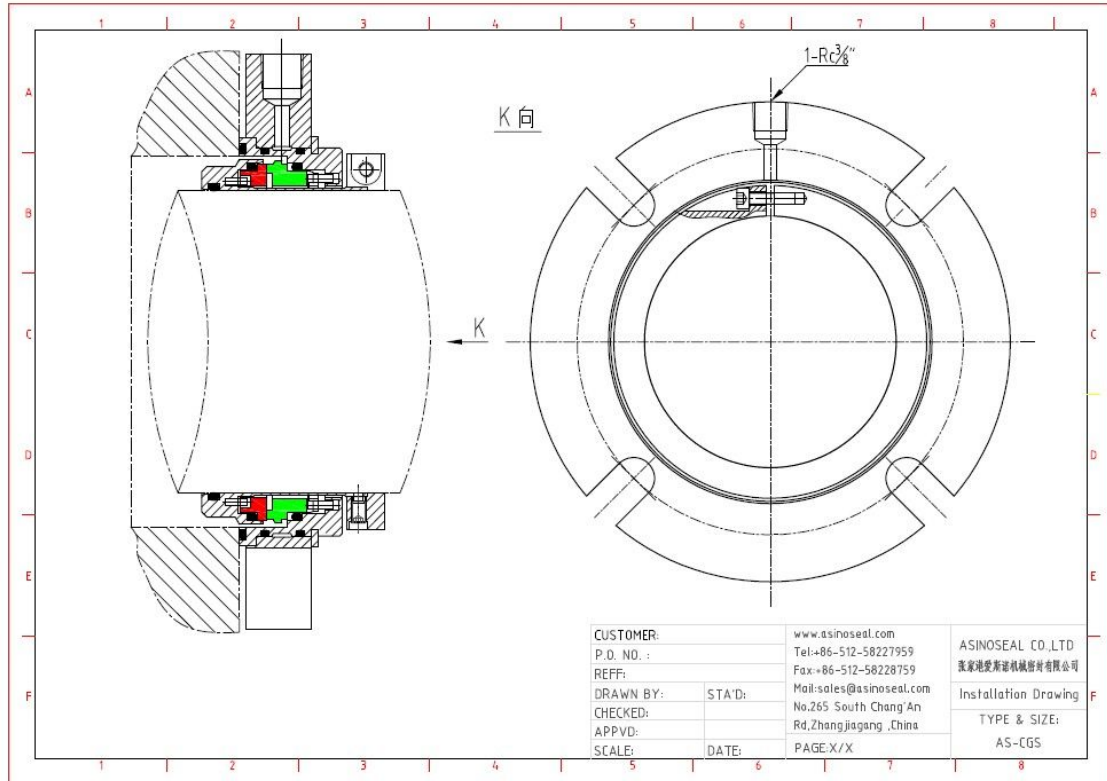


集装箱机械密封
Cartridge mechanical seals



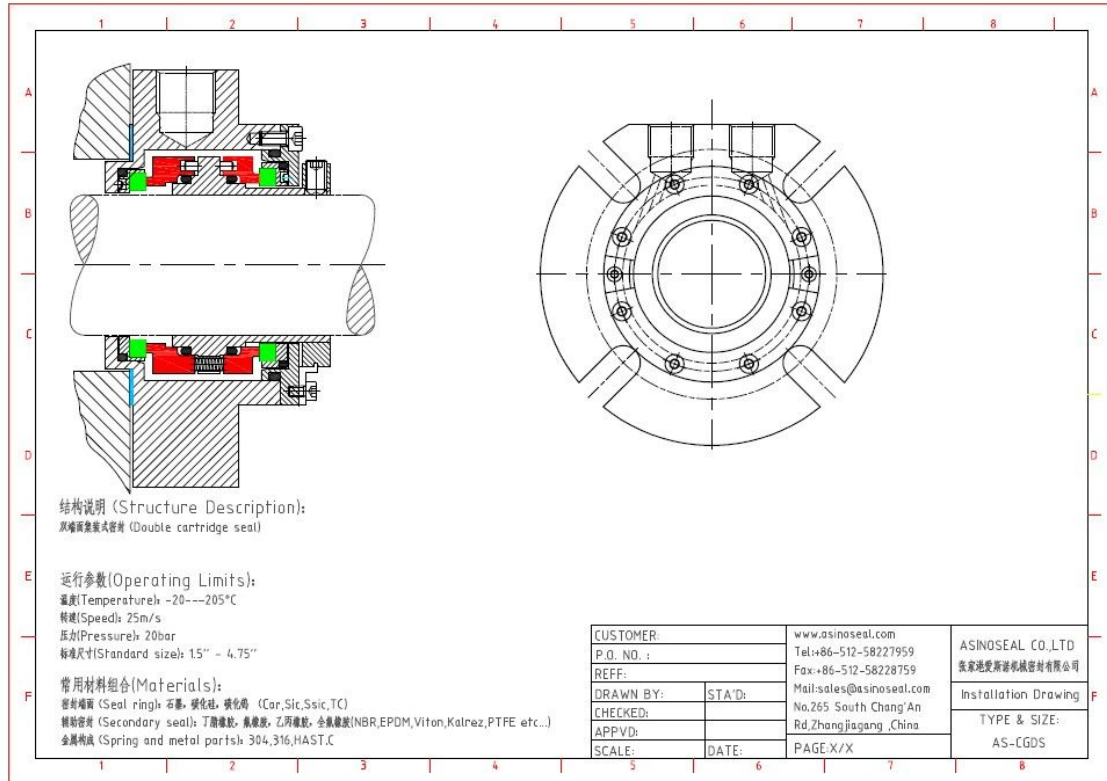


集装箱式机械密封
Cartridge mechanical seals



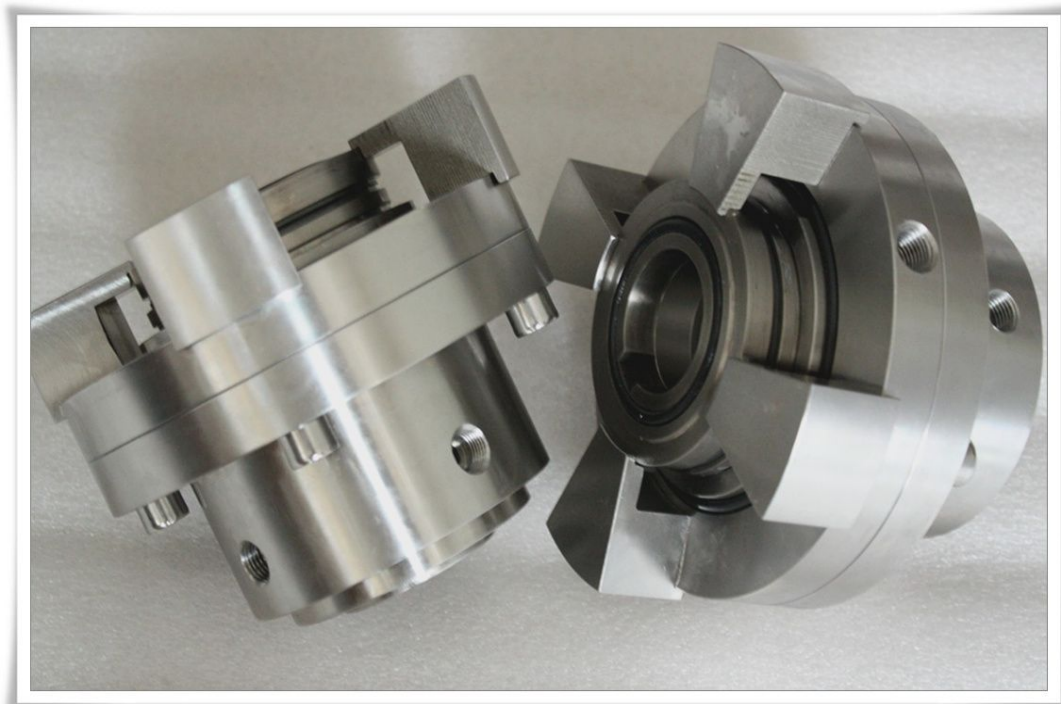
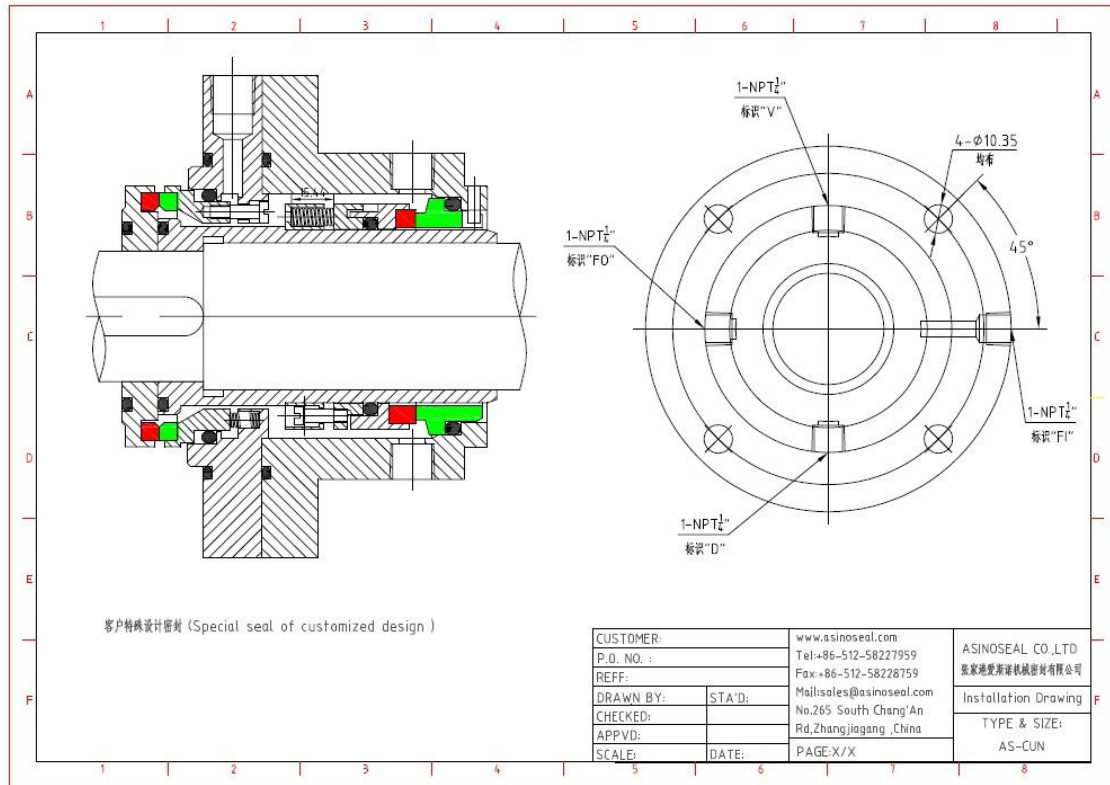


集装式机械密封
Cartridge mechanical seals



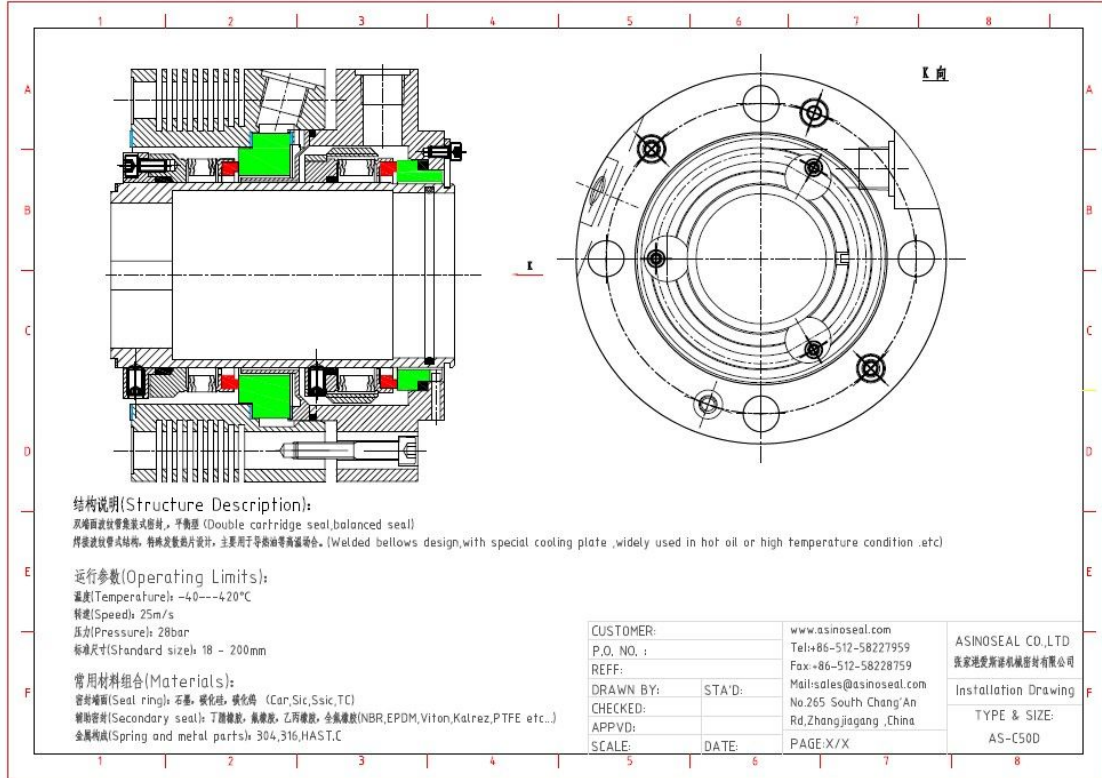


集装式机械密封
Cartridge mechanical seals



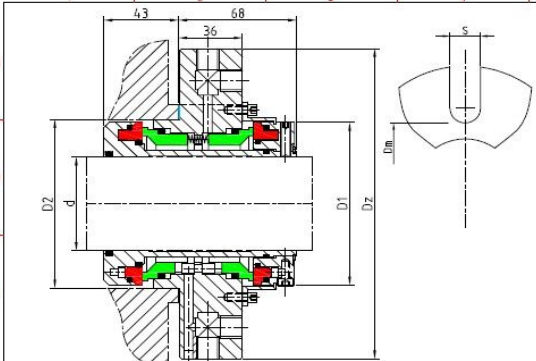


集装箱式机械密封 Cartridge mechanical seals





集装箱机械密封 Cartridge mechanical seals



结构说明(Structure Description):
 Equivalent to Depac 365 seal
 双端面集装箱式密封 (Double cartridge seal)
 小弹簧式设计, 模块化设计, 互换性强(Multiple spring, Modular design, suitable for stock)

运行参数(Operating Limits):
 温度(Temperature): -50---204°C
 转速(Speed): 25m/s
 压力(Pressure): 28bar
 标准尺寸(Standard size): 50 - 200mm

常用材料组合 (Materials):
 密封环圈 (Seal rings): 石墨, 碳化硅, 碳化钨 (Car, Sic, Ssic, Tc)
 辅助密封 (Secondary seal): 丁腈橡胶, 氟橡胶, 乙丙橡胶, 全氟橡胶(NBR, EPDM, Viton, Kalrez, PTFE etc...)
 金属材质 (Spring and metal parts): 304, 316, HAST.C

5	6	7	8			
Size/Metric (d)	D2	D1	D2	D2	D2	S
50	95	89	180	113	17.5	
55	100	94	185	118	17.5	
60	105	99	190	123	17.5	
65	110	104	195	128	17.5	
70	115	109	200	133	17.5	
75	120	114	205	138	17.5	
80	125	119	210	143	17.5	
85	130	124	215	148	21.5	
90	135	129	220	153	21.5	
95	140	134	225	158	21.5	
100	145	139	230	163	21.5	
105	150	144	235	168	21.5	
110	155	149	240	173	21.5	
115	160	154	245	178	21.5	
120	165	159	250	183	21.5	
125	170	164	255	188	21.5	
130	175	169	260	193	21.5	
135	180	174	265	198	21.5	
140	185	179	270	203	21.5	
145	190	184	275	208	21.5	
150	195	189	280	213	21.5	
155	200	194	285	218	21.5	
160	205	199	290	223	21.5	
165	210	204	295	228	21.5	
170	215	209	300	233	21.5	
175	220	214	305	238	21.5	
180	225	219	310	243	21.5	
185	230	224	315	248	21.5	
190	235	229	320	253	21.5	
195	240	234	325	258	21.5	
200	245	239	330	263	21.5	

CUSTOMER: _____

P.O. NO. : _____

REF: _____

DRAWN BY: _____ STA'D: _____

CHECKED: _____

APPVD: _____

SCALE: _____ DATE: _____

www.asinoseal.com

Tel:+86-512-58227959

Fax:+86-512-58228759

Mail:sales@asinoseal.com

No.265 South Chang'An Rd,Zhangjiagang ,China

PAGE:X/X

ASINOSEAL CO.,LTD

张家港爱斯诺密封有限公司

Installation Drawing

TYPE & SIZE:

AS-C365D

81

Tel: +86-512 58227959 Fax:+86-512 58228759 Email: sales@asinoseal.com



Mechanical seal

集装箱式机械密封
Cartridge mechanical seals

Size Metric (mm)	D1	D2	Dz	L1	L2	L3	Dm	Dn	S
24	42.4	48	104	28.8	28.8	48	62	72	12.5
25	43.4	49	104	28.8	28.8	48	62	72	12.5
28	46.4	52	104	28.8	28.8	48	62	72	12.5
30	48.4	54	104	28.8	28.8	48	65	75	12.5
32	50.4	56	104	28.8	28.8	48	67	77	12.5
33	51.4	57	104	28.8	28.8	48	67	77	12.5
35	53.4	59	115	28.8	28.8	48	70	80	12.5
38	56.4	62	125	28.8	28.8	48	75	85	14.7
40	58.4	64	125	28.8	28.8	48	75	85	14.7
43	61.4	67	133	28.8	28.8	48	80	90	14.7
45	63.4	69	140	28.8	28.8	48	81	91	14.7
48	66.4	72	140	28.8	28.8	48	84	94	14.7
50	68.4	74	140	28.8	28.8	48	87	97	14.7
53	71.4	77	150	28.8	28.8	48	90	100	17.5
55	73.4	79	150	28.8	28.8	48	92	102	17.5
60	78.4	84	160	28.8	28.8	48	100	110	17.5
65	83.4	89	165	28.8	28.8	48	105	115	17.5
70	88.4	94	180	28.8	28.8	48	120	130	17.5
75	100	108	190	28.8	28.8	48	125	135	17.5
80	105	113	190	28.8	28.8	48	130	140	17.5
85	110	118	220	28.8	28.8	48	135	145	21.5
90	115	123	220	28.8	28.8	48	140	150	21.5
95	120	128	220	28.8	28.8	48	145	155	21.5
100	125	133	220	28.8	28.8	48	150	160	21.5

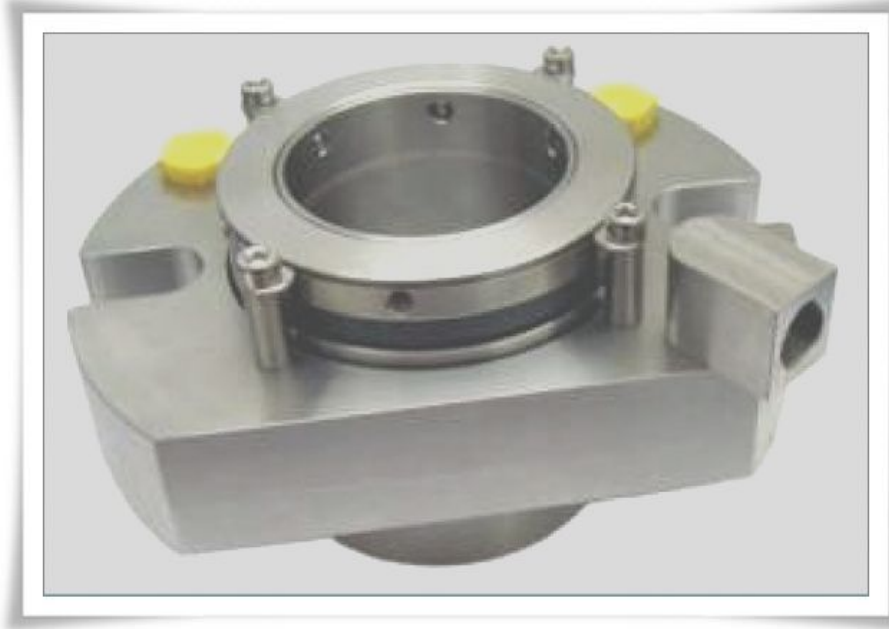
结构说明 (Structure Description):
 双端面集装式密封,也可改为单端面集装式 (Double cartridge seal, single seal is also available)
 小弹簧式结构,轴向安装尺寸短 (Multiple spring design, short installation length)

运行参数 (Operating Limits):
 温度 (Temperature): -50---204°C
 转速 (Speed): 25m/s
 压力 (Pressure): 25bar
 标准尺寸 (Standard size): 24 - 100mm

常用材料组合 (Materials):
 密封环副 (Seal ring): 石墨, 碳化硅, 氧化铝 (Car, SiC, SiC, Al₂O₃)
 辅助密封 (Secondary seal): 丁腈橡胶, 氟橡胶, 乙丙橡胶, 全氟橡胶 (NBR, EPDM, Viton, Kalrez, PTFE etc.)
 金属构件 (Spring and metal parts): 304, 316, HAST.C

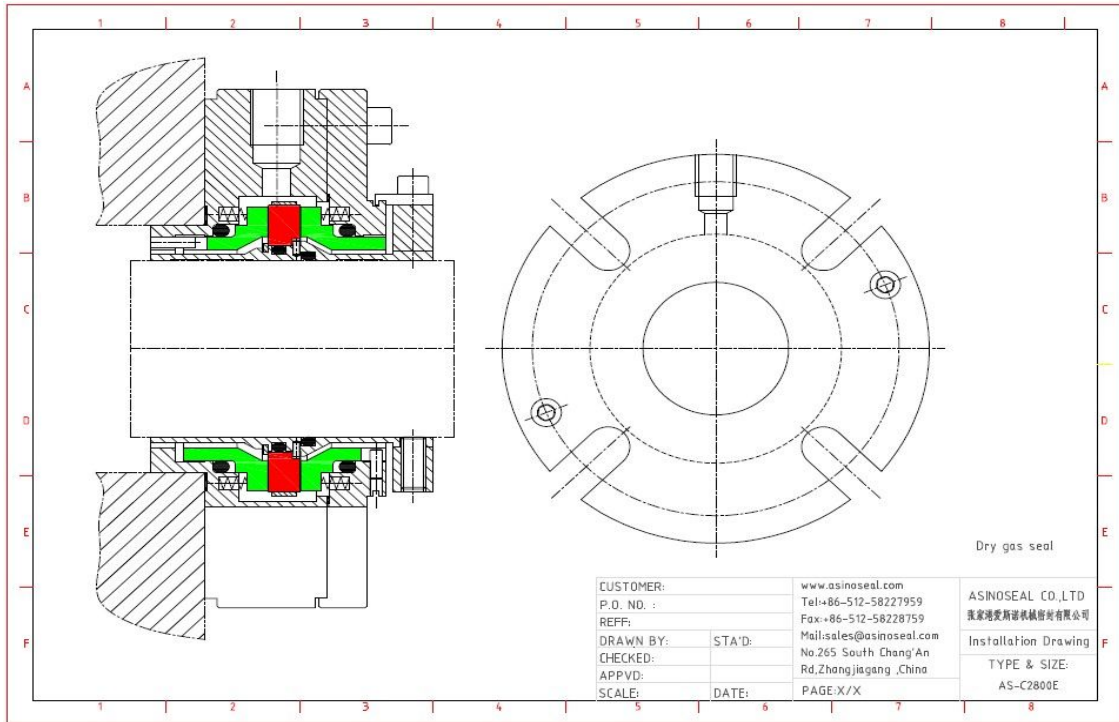
CUSTOMER: _____ www.asinoseal.com
 P.D. NO.: _____ Tel:+86-512-58227959
 REFF: _____ Fax:+86-512-58228759
 DRAWN BY: _____ STA'D: _____ Mail:sales@asinoseal.com
 CHECKED: _____ No.265 South Chang'An
 APPVD: _____ Rd,Zhengjiagang ,China
 SCALE: _____ DATE: _____ PAGE:X/X

ASINOSEAL CO.,LTD
 张家港爱斯盾机械密封有限公司
 Installation Drawing
 TYPE & SIZE:
 AS-CDS





集装箱机械密封
Cartridge mechanical seals



ASINO-SEAL

Mechanical seal



其他依据客户设计机械密封及其密封材料/Other customized seals and sealing materials



ASINO-SEAL
Mechanical seal



ASINO-SEAL
Mechanical seal





Application

