



集装式机械密封 Cartridge Mechanical seals range

集装式机械密封简介:

集装式机械密封采用模块化设计，是一个包含轴套，密封组件，压盖为一体的机械密封，由于事先已经安装好，并且通过严格的检测，因此安装比较简单，减少了因为密封安装问题而引起的密封失效，对密封安装人员没有太高的专业要求。



Introduction of cartridge type seal:

Cartridge mechanical seal are made with modular design ,it contains a sleeve,seal components and shaft gland. Since it passes through rigorous testing and installed in advance.The installation is relatively simple,as a result,it reduces the seal failure caused by seal installation problem and doesn't need so much professional requirements for installation.

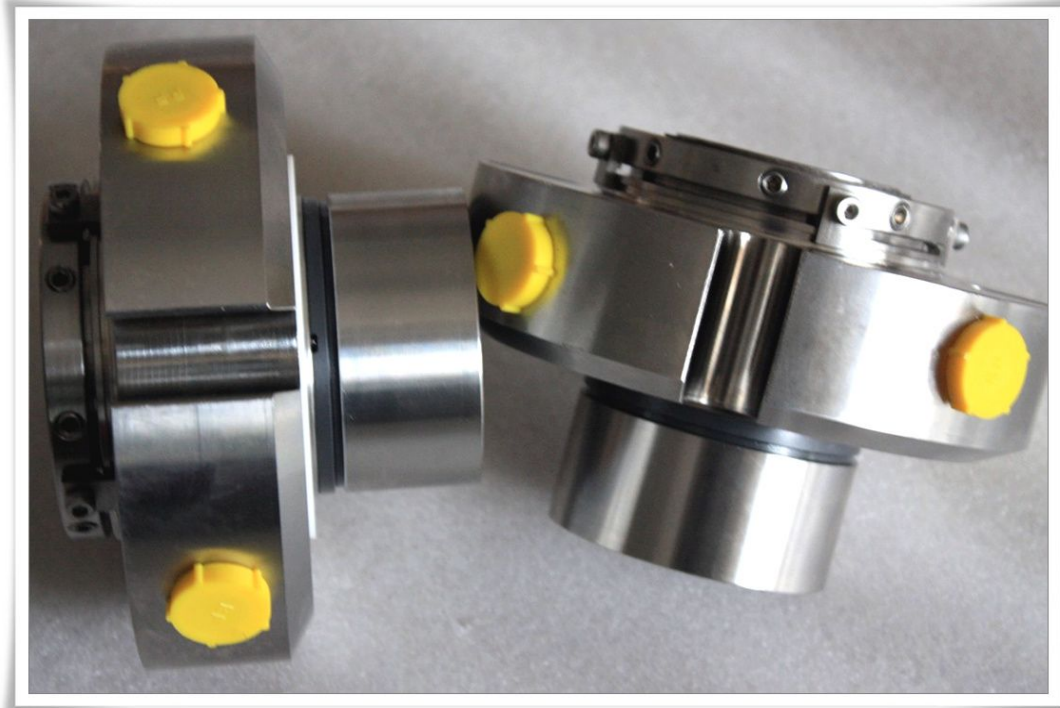
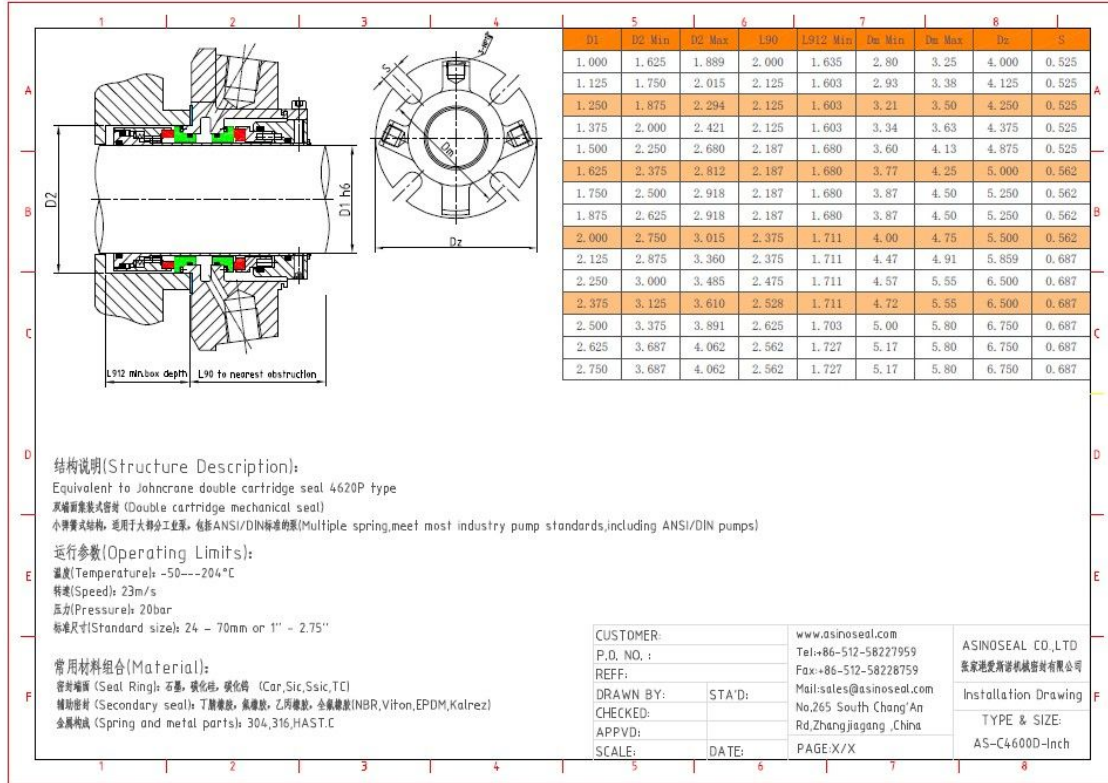
CATALOG FOR CROSS REFERENCE

Cartridge seals

	AES	Chesterton	Burgmann	CRANE	Anga	Depac	Pages
AS-C4600D				<u>4620</u>			62-63
AS-C5600S				<u>5610</u>			64-65
AS-C5600D				<u>5620</u>			66-67
AS-C23S					<u>BE2</u>		68
AS-C23D					<u>BED</u>		69
AS-C26S			<u>CARTEX-SN</u>				70
AS-C26D			<u>CARTEX-DN</u>				71
AS-CON	<u>Convertor II</u>						72-73
AS-CMBS	<u>BSFG</u>						74-75
AS-CMB65			<u>MFL65 Cartridge</u>				76
AS-CGS		<u>GSS</u>					77
AS-CGDS		<u>GDS</u>					78
AS-CUN							79
AS-C50D							80
AS-C365D						<u>365</u>	81
AS-CDS							82
AS-C1D							83
AS-C2800E				<u>2800E</u>			83



集装箱式机械密封 Cartridge mechanical seals





集装式机械密封
Cartridge mechanical seals

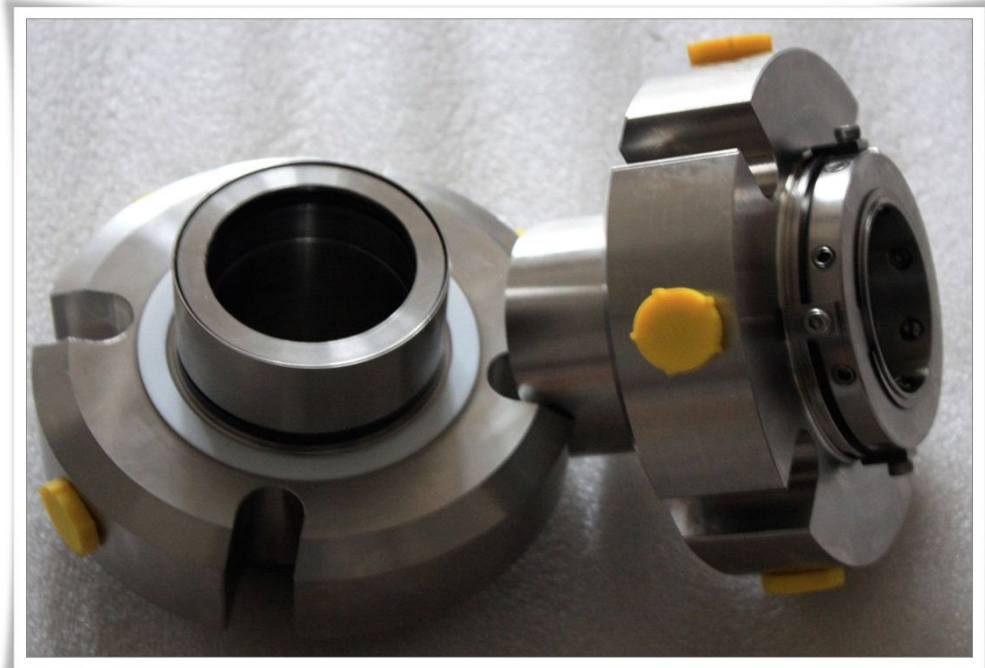
	1	2	3	4	5	6	7	8	9				
					D1	D2 Min	D2 Max	190	1912 Min	Dm Min	Dm Max	Ds	S
A					24	41.0	48.0	50.8	41.5	71	83	101.6	13.3
					25	41.0	48.0	50.8	41.5	71	83	101.6	13.3
					28	44.0	51.2	54.0	40.7	74	86	104.8	13.3
					30	46.0	58.3	54.0	40.7	82	89	108.0	13.3
					32	47.6	58.3	54.0	40.7	82	89	108.0	13.3
					33	50.8	61.5	54.0	40.7	85	92	111.1	13.3
					35	50.8	61.5	54.0	40.7	85	92	111.1	13.3
B					38	57.2	68.1	55.5	42.7	91	105	123.8	13.3
					40	60.0	71.4	55.5	42.7	96	108	127.0	14.3
					43	63.5	74.1	55.5	42.7	98	114	133.4	14.3
					45	63.5	74.1	55.5	42.7	98	114	133.4	14.3
					48	66.7	74.1	55.5	42.7	98	114	133.4	14.3
C					50	69.9	76.6	60.3	43.5	102	121	139.7	14.3
					53	73.0	85.3	60.3	43.5	114	125	148.8	17.5
					55	73.0	85.3	60.3	43.5	114	125	148.8	17.5
					58	79.4	91.7	64.2	43.5	120	141	165.1	17.5
					60	79.4	91.7	64.2	43.5	120	141	165.1	17.5
					63	85.7	98.8	66.7	43.3	127	147	171.5	17.5
D					65	85.7	98.8	66.7	43.3	127	147	171.5	17.5
					70	93.6	103.2	65.1	43.9	131	147	171.5	17.5

结构说明 (Structure Description):
Equivalent to double cartridge seal Johncrane 4620 type
双端面集装式密封 (Double cartridge mechanical seal)
小径集装式结构, 适用于大部分工业泵, 包括ANSI/DIN标准的泵 (Multiple spring, meet most industry pump standards, including ANSI/DIN pumps)

运行参数 (Operating Limits):
温度 (Temperature): -50---204°C
转速 (Speed): 23m/s
压力 (Pressure): 20bar
标准尺寸 (Standard size): 24 - 70mm or 1" - 2.75"

常用材料组合 (Materials):
密封端面 (Seal ring): 石墨, 碳化硅, 氧化铝 (Car, Sic, Ssic, TC)
辅助密封 (Secondary seal): 丁腈橡胶, 氟橡胶, 乙丙橡胶, 全氟橡胶 (NBR, Viton, EPDM, Kalrez)
金属构成 (Spring and metal parts): 304, 316, HAST.C

CUSTOMER:	www.asinoseal.com	ASINOSEAL CO.,LTD
P.O. NO.:	Tel:+86-512-58227959	张家港爱斯新密封材料有限公司
REFF:	Fax:+86-512-58228759	
DRAWN BY:	STA'D:	Installation Drawing
CHECKED:		TYPE & SIZE:
APPVD:		AS-C4600D-Metric
SCALE:	DATE:	PAGE: X / X





集装箱机械密封 Cartridge mechanical seals

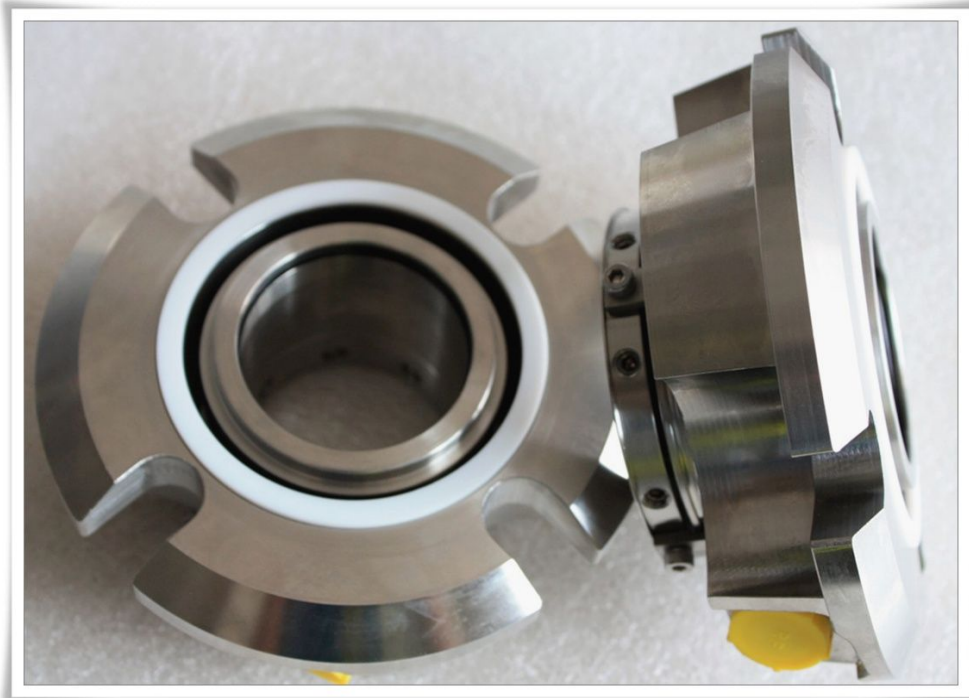
结构说明 (Structure Description):
Equivalent to single cartridge seal Johncrane 5610 type.
单端筒套式密封 (Single cartridge mechanical seal)
波形弹簧式, 可有带固定罩密封 (Wave spring type, other type with Bushing design is also available)

运行参数 (Operating Limits):
温度 (Temperature): -50---204°C
转速 (Speed): 23m/s
压力 (Pressure): 20bar
标准尺寸 (Standard size): 24 - 140mm or 1" - 5.5"

常用材料组合 (Materials):
密封端面 (Seal ring): 石墨, 碳化硅, 碳化钨 (Car, Sic, Ssic, TC)
辅助密封 (Secondary seal): 丁腈橡胶, 乙丙橡胶, 氟橡胶, 全氟橡胶 (NBR, EPDM, Viton, Kalrez)
金属构成 (Spring and metal parts): 304, 316, HAST.C

DN (Inch)	22	25	28	32	36	40	45	50	55	60	65	70	75	80	85	90	95	100	105	110	115	120	125	130	135	140
1.000	1.375	1.445	1.889	4.000	1.989	1.954	2.000	0.160	0.035	2.805	0.525															
1.125	1.500	*	2.015	4.125	2.062	2.062	2.125	0.125	*	2.933	0.525															
1.250	1.625	*	2.294	4.250	2.062	2.062	2.125	0.125	*	3.213	0.525															
1.375	1.750	*	2.421	4.375	2.062	2.062	2.125	0.125	*	3.338	0.525															
1.500	1.927	2.007	2.680	4.875	2.156	2.125	2.187	0.156	0.031	3.599	0.525															
1.625	2.062	2.132	2.812	5.000	2.156	2.125	2.187	0.156	0.031	3.766	0.562															
1.750	2.170	2.240	2.918	5.250	2.156	2.125	2.187	0.156	0.031	4.375	0.562															
1.875	2.312	2.382	2.918	5.250	2.156	2.125	2.187	0.156	0.031	3.875	0.562															
2.000	2.437	2.507	3.015	5.500	2.375	2.312	2.375	0.187	0.062	4.600	0.562															
2.125	2.562	2.632	3.380	5.899	2.375	2.312	2.375	0.187	0.062	4.409	0.687															
2.250	2.687	2.757	3.485	6.000	2.375	2.312	2.375	0.187	0.062	4.566	0.687															
2.375	2.812	2.882	3.619	6.300	2.484	2.484	2.628	0.143	0.018	4.719	0.687															
2.500	3.062	*	3.891	6.750	2.484	2.484	2.625	0.125	*	6.000	0.687															
2.625	3.312	*	4.062	6.750	2.500	2.500	2.625	0.125	*	5.170	0.687															
2.750	3.312	*	4.062	6.750	2.500	2.500	2.642	0.125	*	5.170	0.687															
2.875	3.375	*	4.186	7.000	2.500	2.500	2.642	0.125	*	5.312	0.687															
3.000	3.625	*	4.469	7.500	2.562	2.562	2.625	0.125	*	5.720	0.812															
3.125	3.750	3.853	4.600	7.875	2.562	2.562	2.687	0.125	*	5.845	0.812															
3.250	3.750	3.853	4.600	7.437	2.562	2.510	2.625	0.177	0.092	5.845	0.812															
3.375	4.000	4.125	4.850	8.125	2.562	2.562	2.687	0.125	*	6.095	0.812															
3.500	4.125	4.250	4.975	8.250	2.562	2.562	2.687	0.125	*	6.220	0.812															
3.625	4.218	4.343	5.100	8.375	2.562	2.562	2.687	0.125	*	6.290	0.687															
3.750	4.343	4.468	5.199	8.750	2.562	2.562	2.687	0.125	*	6.770	0.687															
3.875	4.468	4.593	5.375	8.750	2.562	2.562	2.687	0.125	*	6.636	0.812															
4.000	4.593	4.718	5.500	9.000	2.562	2.562	2.687	0.125	*	6.761	0.812															
4.125	4.718	4.843	5.625	9.000	2.562	2.562	2.687	0.125	*	6.886	0.812															
4.250	4.843	4.968	5.750	9.250	2.562	2.562	2.687	0.125	*	7.011	0.812															
4.500	5.093	5.218	6.000	9.500	2.562	2.562	2.687	0.125	*	7.261	0.812															
4.750	5.343	5.468	6.313	10.375	2.562	2.562	2.687	0.125	*	7.574	0.812															
5.000	5.843	5.968	7.260	12.000	2.953	3.043	3.168	0.125	*	10.000	0.812															
5.250	6.093	6.218	7.610	12.250	2.953	3.043	3.168	0.125	*	10.250	0.812															
5.500	6.343	6.468	8.000	12.687	2.953	3.043	3.168	0.125	*	10.500	0.937															

CUSTOMER:	www.asinoseal.com	ASINOSEAL CO.,LTD
P.O. NO.:	Tel:+86-512-58227959	张家港爱森密封机械有限公司
REF:	Fax:+86-512-58228759	
DRAWN BY:	STA'D:	Installation Drawing
CHECKED:		TYPE & SIZE:
APPVD:		AS-C56005-Inch
SCALE:	DATE:	PAGE:X/X





集装箱式机械密封
Cartridge mechanical seals

结构说明 (Structure Description):
Equivalent to Johncrane 5610 type
单端面集装箱式密封 (Single cartridge mechanical seal)
波形弹簧式, 可有带固定弹簧材料套 (Wave spring type, other type with Bushing design is available)

运行参数 (Operating Limits):
温度 (Temperature): -50---204 °C
转速 (Speed): 23m/s
压力 (Pressure): 20bar
标准尺寸 (Standard size): 24 - 140mm or 1" - 5.5"

常用材料组合 (Materials):
密封端面 (Seal ring): 石墨, 碳化硅, 氧化铝 (Car, Sic, Ssic, TC)
辅助密封 (Secondary seal): 丁腈橡胶, 乙丙橡胶, 氟橡胶, 全氟橡胶 (NBR, EPDM, Viton, Kalrez)
金属结构 (Spring and metal parts): 304, 316, HAST.E

ST (Metric)	10	15	20	25	30	35	40	45	50	55	60	65	70	75	80	85	90	95	100	105	110	115	120	125	130	135	140
24	34.9	36.7	48.0	101.6	50.8	49.6	50.8	4.0	0.9	71.2	13.3																
25	34.9	36.7	48.0	101.6	50.8	49.6	50.8	4.0	0.9	71.2	13.3																
28	38.1	*	50.2	104.8	52.4	52.4	54.0	3.2	*	74.9	13.3																
30	48.0	*	56.5	108.0	52.4	52.4	54.0	3.2	*	79.9	13.3																
32	41.3	*	58.3	108.0	52.4	52.4	54.0	3.2	*	81.6	13.3																
35	44.9	*	62.2	111.1	52.4	52.4	54.0	3.2	*	84.9	13.3																
38	44.9	*	62.2	111.1	52.4	52.4	54.0	3.2	*	84.9	13.3																
39	49.2	51.0	68.1	123.8	54.8	54.0	55.5	4.0	0.8	91.4	13.3																
40	52.4	54.2	71.4	127.0	54.8	54.0	55.5	4.0	0.8	95.7	14.3																
43	55.1	56.9	74.1	133.4	54.8	54.0	55.5	4.0	0.8	98.4	14.3																
45	55.1	56.9	74.1	133.4	54.8	54.0	55.5	4.0	0.8	98.4	14.3																
48	58.7	60.5	76.1	138.4	54.8	54.0	55.5	4.0	0.8	98.4	14.3																
50	61.9	63.7	76.6	139.7	60.3	58.7	60.3	4.7	1.6	101.6	14.3																
53	65.1	66.9	85.3	148.6	60.3	58.7	60.3	4.7	1.6	113.5	17.4																
55	66.7	78.0	85.3	148.6	60.3	58.7	60.3	4.7	1.6	113.5	17.4																
58	68.2	78.0	88.5	165.1	60.3	58.7	60.3	4.7	1.6	116.0	17.4																
60	71.4	73.2	91.7	165.1	65.1	62.6	64.2	3.6	1.6	119.9	17.4																
65	77.8	*	98.8	171.5	65.1	65.1	66.7	3.2	0.8	127.0	17.4																
68	77.8	*	98.8	171.5	65.1	65.1	66.7	3.2	*	127.0	17.4																
70	84.1	*	103.2	171.5	65.1	65.1	66.7	3.2	*	131.3	17.4																
75	92.1	*	113.5	186.9	65.1	65.1	66.7	3.2	*	145.3	20.6																
80	95.3	97.9	116.8	188.9	65.1	63.8	65.9	4.5	1.3	148.4	20.6																
85	101.6	104.8	123.2	206.4	65.1	65.1	68.3	3.2	*	154.8	20.6																
90	107.1	110.3	129.5	212.7	65.1	65.1	68.3	3.2	*	158.8	17.4																
95	110.3	113.5	132.1	222.3	65.1	65.1	68.3	3.2	*	173.0	17.4																
100	116.7	119.9	139.7	228.6	65.1	65.1	68.3	3.2	*	171.7	20.6																
105	119.9	123.0	142.9	238.6	65.1	65.1	68.3	3.2	*	174.9	20.6																
110	129.4	132.5	152.4	241.3	65.1	65.1	68.3	3.2	*	184.4	20.6																
115	129.4	132.5	152.4	241.3	65.1	65.1	68.3	3.2	*	184.4	20.6																
120	135.7	138.9	160.4	263.5	65.1	65.1	68.3	3.2	*	192.4	20.6																
125	145.4	151.6	164.4	264.8	75.0	77.3	80.5	3.2	*	204.0	20.6																
130	154.8	157.9	180.8	311.3	75.0	77.3	80.5	3.2	*	206.4	20.6																
135	161.1	164.3	203.2	322.3	75.0	77.3	80.5	3.2	*	266.7	23.8																
140	161.1	164.3	203.2	322.3	75.0	77.3	80.5	3.2	*	266.7	23.8																

CUSTOMER: www.asinoseal.com
 P.O. NO.: Tel:+86-512-58227959
 REF: Fax:+86-512-58228759
 DRAWN BY: STA'D: Mail:sales@asinoseal.com
 CHECKED: No.265 South Chang'An Rd,Zhongjiagang ,China
 APPVD: TYPE & SIZE: AS-C5600S-Metric
 SCALE: DATE: PAGE:X/X





集装箱式机械密封
Cartridge mechanical seals

结构说明(Structure Description):
Equivalent to Johncrane 5620 type
双端箱式密封 (Double cartridge mechanical seal)

运行参数(Operating Limits):
温度(Temperature): -50---204°C
转速(Speed): 23m/s
压力(Pressure): 20bar
标准尺寸(Standard sizes): 24 - 140mm or 1" - 5.5"

常用材料组合 (Materials):
密封端面 (Seal ring): 石墨, 碳化硅, 氧化铝 (Car,Sic,Ssic,TC)
辅助密封 (Secondary seal): 柔性石墨 (Graphite)
金属件类 (Spring and metal parts): Brass,304,316,AM350,Inconel 718,Titanium,HASTC

D1	D2	D3	D4	D5	D6	D7	D8	D9	D10	
1.000	1.564	1.625	1.889	1.951	2.000	1.751	1.876	4.000	0.525	2.805
1.125	1.689	1.750	2.015	2.062	2.125	1.789	1.914	4.125	0.525	2.933
1.250	1.812	1.875	2.294	2.062	2.125	1.789	1.914	4.250	0.525	3.213
1.375	1.939	2.000	2.421	2.062	2.125	1.789	1.914	4.375	0.525	3.338
1.500	2.167	2.250	2.680	2.125	2.187	1.870	1.995	4.875	0.525	3.599
1.625	2.312	2.375	2.812	2.125	2.187	1.870	1.995	5.000	0.562	3.766
1.750	2.406	2.480	2.918	2.125	2.187	1.870	1.995	5.250	0.562	3.872
1.875	2.549	2.625	2.918	2.125	2.187	1.870	1.995	5.250	0.562	3.875
2.000	2.637	2.750	3.015	2.312	2.375	2.042	2.167	5.500	0.562	4.000
2.125	2.798	2.875	3.360	2.312	2.375	2.042	2.167	5.859	0.687	4.469
2.250	2.923	3.000	3.485	2.312	2.375	2.042	2.167	6.500	0.687	4.566
2.375	3.048	3.125	3.610	2.466	2.825	2.079	2.204	6.500	0.687	4.719
2.500	3.301	3.375	3.891	2.562	2.625	1.982	2.107	6.750	0.687	5.000
2.625	3.551	3.625	4.062	2.500	2.582	2.094	2.219	6.750	0.687	5.170
2.750	3.551	3.625	4.062	2.500	2.582	2.094	2.219	6.750	0.687	5.170
2.875	3.814	3.750	4.186	2.500	2.562	2.094	2.219	7.000	0.687	5.312
3.000	3.864	4.000	4.469	2.562	2.625	2.032	2.157	7.750	0.812	5.720
3.125	4.022	4.125	4.600	2.562	2.687	2.125	2.250	7.875	0.812	5.845
3.250	4.022	4.134	4.600	2.510	2.635	2.177	2.302	7.437	0.812	5.845
3.375	4.246	4.375	4.850	2.562	2.687	2.125	2.250	8.125	0.812	6.695
3.500	4.371	4.500	4.975	2.562	2.687	2.125	2.250	8.250	0.812	6.820
3.625	4.500	4.625	5.100	2.562	2.687	2.125	2.250	8.375	0.687	6.250
3.750	4.625	4.724	5.199	2.562	2.687	2.125	2.250	8.750	0.687	6.770
3.875	4.750	4.875	5.275	2.562	2.687	2.125	2.250	8.750	0.812	6.636
4.000	4.875	5.000	5.500	2.562	2.687	2.125	2.250	9.000	0.812	6.761
4.125	5.000	5.125	5.625	2.562	2.687	2.125	2.250	9.000	0.812	6.986
4.250	5.125	5.250	5.750	2.562	2.687	2.125	2.250	9.250	0.812	7.011
4.500	5.375	5.500	6.000	2.562	2.687	2.125	2.250	9.500	0.812	7.261
4.750	5.625	5.750	6.313	2.562	2.687	2.125	2.250	10.375	0.812	7.574
5.000	6.125	6.760	7.260	3.043	3.168	2.473	2.598	12.000	0.812	10.000
5.250	6.375	7.010	7.510	3.043	3.168	2.473	2.598	12.250	0.812	10.250
5.500	6.625	7.500	8.000	3.043	3.168	2.473	2.598	12.667	0.937	10.500

CUSTOMER: www.asinoseal.com
P.D. NO.: Tel:+86-512-58227959
REF: Fax:+86-512-58228759
DRAWN BY: STA'D: Mail:sales@asinoseal.com
CHECKED: No.265 South Chang'An Rd,Zhangjiagang ,China
APPVD: TYPE & SIZE: AS-CS600D-Inch
SCALE: DATE: PAGE:X/X





Mechanical seal

集装式机械密封
Cartridge mechanical seals

1912 Min Bor Depth
L922
L29
470 Min To nearest Obstruction
Rp1/2"

DM
DN
DN

结构说明 (Structure Description):
Equivalent to Johncrane 5620 seal
双端面集装式机械密封 (Double cartridge mechanical seal)

运行参数 (Operating Limits):
温度 (Temperature): -50---204°C
转速 (Speed): 23m/s
压力 (Pressure): 20bar
标准尺寸 (Standard size): 24 - 140mm or 1" - 5.5"

常用材料组合 (Materials):
密封端面 (Seal ring): 石墨, 碳化硅, 氧化铝 (Car, Sic, Ssic, TC)
辅助密封 (Secondary seal): 柔性石墨 (Graphite)
金属构成 (Spring and metal parts): Brass, 304, 316, AM350, Inconel 718, Titanium, HAST.C

20	25	30	35	40	45	50	55	60	65	70	75	80	85	90	95	100	105	110	115	120	125	130	135	140	
39.7	41.3	43.0	44.5	46.1	47.7	49.3	50.8	52.4	54.0	55.5	57.1	58.7	60.3	61.9	63.5	65.1	66.7	68.3	69.9	71.5	73.1	74.7	76.3	77.9	79.5
41.3	43.0	44.5	46.1	47.7	49.3	50.8	52.4	54.0	55.5	57.1	58.7	60.3	61.9	63.5	65.1	66.7	68.3	69.9	71.5	73.1	74.7	76.3	77.9	79.5	81.1
43.0	44.5	46.1	47.7	49.3	50.8	52.4	54.0	55.5	57.1	58.7	60.3	61.9	63.5	65.1	66.7	68.3	69.9	71.5	73.1	74.7	76.3	77.9	79.5	81.1	82.7
44.5	46.1	47.7	49.3	50.8	52.4	54.0	55.5	57.1	58.7	60.3	61.9	63.5	65.1	66.7	68.3	69.9	71.5	73.1	74.7	76.3	77.9	79.5	81.1	82.7	84.3
46.1	47.7	49.3	50.8	52.4	54.0	55.5	57.1	58.7	60.3	61.9	63.5	65.1	66.7	68.3	69.9	71.5	73.1	74.7	76.3	77.9	79.5	81.1	82.7	84.3	85.9
47.7	49.3	50.8	52.4	54.0	55.5	57.1	58.7	60.3	61.9	63.5	65.1	66.7	68.3	69.9	71.5	73.1	74.7	76.3	77.9	79.5	81.1	82.7	84.3	85.9	87.5
49.3	50.8	52.4	54.0	55.5	57.1	58.7	60.3	61.9	63.5	65.1	66.7	68.3	69.9	71.5	73.1	74.7	76.3	77.9	79.5	81.1	82.7	84.3	85.9	87.5	89.1
50.8	52.4	54.0	55.5	57.1	58.7	60.3	61.9	63.5	65.1	66.7	68.3	69.9	71.5	73.1	74.7	76.3	77.9	79.5	81.1	82.7	84.3	85.9	87.5	89.1	90.7
52.4	54.0	55.5	57.1	58.7	60.3	61.9	63.5	65.1	66.7	68.3	69.9	71.5	73.1	74.7	76.3	77.9	79.5	81.1	82.7	84.3	85.9	87.5	89.1	90.7	92.3
54.0	55.5	57.1	58.7	60.3	61.9	63.5	65.1	66.7	68.3	69.9	71.5	73.1	74.7	76.3	77.9	79.5	81.1	82.7	84.3	85.9	87.5	89.1	90.7	92.3	93.9
55.5	57.1	58.7	60.3	61.9	63.5	65.1	66.7	68.3	69.9	71.5	73.1	74.7	76.3	77.9	79.5	81.1	82.7	84.3	85.9	87.5	89.1	90.7	92.3	93.9	95.5
57.1	58.7	60.3	61.9	63.5	65.1	66.7	68.3	69.9	71.5	73.1	74.7	76.3	77.9	79.5	81.1	82.7	84.3	85.9	87.5	89.1	90.7	92.3	93.9	95.5	97.1
58.7	60.3	61.9	63.5	65.1	66.7	68.3	69.9	71.5	73.1	74.7	76.3	77.9	79.5	81.1	82.7	84.3	85.9	87.5	89.1	90.7	92.3	93.9	95.5	97.1	98.7
60.3	61.9	63.5	65.1	66.7	68.3	69.9	71.5	73.1	74.7	76.3	77.9	79.5	81.1	82.7	84.3	85.9	87.5	89.1	90.7	92.3	93.9	95.5	97.1	98.7	100.3
61.9	63.5	65.1	66.7	68.3	69.9	71.5	73.1	74.7	76.3	77.9	79.5	81.1	82.7	84.3	85.9	87.5	89.1	90.7	92.3	93.9	95.5	97.1	98.7	100.3	101.9
63.5	65.1	66.7	68.3	69.9	71.5	73.1	74.7	76.3	77.9	79.5	81.1	82.7	84.3	85.9	87.5	89.1	90.7	92.3	93.9	95.5	97.1	98.7	100.3	101.9	103.5
65.1	66.7	68.3	69.9	71.5	73.1	74.7	76.3	77.9	79.5	81.1	82.7	84.3	85.9	87.5	89.1	90.7	92.3	93.9	95.5	97.1	98.7	100.3	101.9	103.5	105.1
66.7	68.3	69.9	71.5	73.1	74.7	76.3	77.9	79.5	81.1	82.7	84.3	85.9	87.5	89.1	90.7	92.3	93.9	95.5	97.1	98.7	100.3	101.9	103.5	105.1	106.7
68.3	69.9	71.5	73.1	74.7	76.3	77.9	79.5	81.1	82.7	84.3	85.9	87.5	89.1	90.7	92.3	93.9	95.5	97.1	98.7	100.3	101.9	103.5	105.1	106.7	108.3
69.9	71.5	73.1	74.7	76.3	77.9	79.5	81.1	82.7	84.3	85.9	87.5	89.1	90.7	92.3	93.9	95.5	97.1	98.7	100.3	101.9	103.5	105.1	106.7	108.3	109.9
71.5	73.1	74.7	76.3	77.9	79.5	81.1	82.7	84.3	85.9	87.5	89.1	90.7	92.3	93.9	95.5	97.1	98.7	100.3	101.9	103.5	105.1	106.7	108.3	109.9	111.5
73.1	74.7	76.3	77.9	79.5	81.1	82.7	84.3	85.9	87.5	89.1	90.7	92.3	93.9	95.5	97.1	98.7	100.3	101.9	103.5	105.1	106.7	108.3	109.9	111.5	113.1
74.7	76.3	77.9	79.5	81.1	82.7	84.3	85.9	87.5	89.1	90.7	92.3	93.9	95.5	97.1	98.7	100.3	101.9	103.5	105.1	106.7	108.3	109.9	111.5	113.1	114.7
76.3	77.9	79.5	81.1	82.7	84.3	85.9	87.5	89.1	90.7	92.3	93.9	95.5	97.1	98.7	100.3	101.9	103.5	105.1	106.7	108.3	109.9	111.5	113.1	114.7	116.3
77.9	79.5	81.1	82.7	84.3	85.9	87.5	89.1	90.7	92.3	93.9	95.5	97.1	98.7	100.3	101.9	103.5	105.1	106.7	108.3	109.9	111.5	113.1	114.7	116.3	117.9
79.5	81.1	82.7	84.3	85.9	87.5	89.1	90.7	92.3	93.9	95.5	97.1	98.7	100.3	101.9	103.5	105.1	106.7	108.3	109.9	111.5	113.1	114.7	116.3	117.9	119.5
81.1	82.7	84.3	85.9	87.5	89.1	90.7	92.3	93.9	95.5	97.1	98.7	100.3	101.9	103.5	105.1	106.7	108.3	109.9	111.5	113.1	114.7	116.3	117.9	119.5	121.1
82.7	84.3	85.9	87.5	89.1	90.7	92.3	93.9	95.5	97.1	98.7	100.3	101.9	103.5	105.1	106.7	108.3	109.9	111.5	113.1	114.7	116.3	117.9	119.5	121.1	122.7
84.3	85.9	87.5	89.1	90.7	92.3	93.9	95.5	97.1	98.7	100.3	101.9	103.5	105.1	106.7	108.3	109.9	111.5	113.1	114.7	116.3	117.9	119.5	121.1	122.7	124.3
85.9	87.5	89.1	90.7	92.3	93.9	95.5	97.1	98.7	100.3	101.9	103.5	105.1	106.7	108.3	109.9	111.5	113.1	114.7	116.3	117.9	119.5	121.1	122.7	124.3	125.9
87.5	89.1	90.7	92.3	93.9	95.5	97.1	98.7	100.3	101.9	103.5	105.1	106.7	108.3	109.9	111.5	113.1	114.7	116.3	117.9	119.5	121.1	122.7	124.3	125.9	127.5
89.1	90.7	92.3	93.9	95.5	97.1	98.7	100.3	101.9	103.5	105.1	106.7	108.3	109.9	111.5	113.1	114.7	116.3	117.9	119.5	121.1	122.7	124.3	125.9	127.5	129.1
90.7	92.3	93.9	95.5	97.1	98.7	100.3	101.9	103.5	105.1	106.7	108.3	109.9	111.5	113.1	114.7	116.3	117.9	119.5	121.1	122.7	124.3	125.9	127.5	129.1	130.7
92.3	93.9	95.5	97.1	98.7	100.3	101.9	103.5	105.1	106.7	108.3	109.9	111.5	113.1	114.7	116.3	117.9	119.5	121.1	122.7	124.3	125.9	127.5	129.1	130.7	132.3
93.9	95.5	97.1	98.7	100.3	101.9	103.5	105.1	106.7	108.3	109.9	111.5	113.1	114.7	116.3	117.9	119.5	121.1	122.7	124.3	125.9	127.5	129.1	130.7	132.3	133.9
95.5	97.1	98.7	100.3	101.9	103.5	105.1	106.7	108.3	109.9	111.5	113.1	114.7	116.3	117.9	119.5	121.1	122.7	124.3	125.9	127.5	129.1	130.7	132.3	133.9	135.5
97.1	98.7	100.3	101.9	103.5	105.1	106.7	108.3	109.9	111.5	113.1	114.7	116.3	117.9	119.5	121.1	122.7	124.3	125.9	127.5	129.1	130.7	132.3	133.9	135.5	137.1
98.7	100.3	101.9	103.5	105.1	106.7	108.3	109.9	111.5	113.1	114.7	116.3	117.9	119.5	121.1	122.7	124.3	125.9	127.5	129.1	130.7	132.3	133.9	135.5	137.1	138.7
100.3	101.9	103.5	105.1	106.7	108.3	109.9	111.5	113.1	114.7	116.3	117.9	119.5	121.1	122.7	124.3	125.9	127.5	129.1	130.7	132.3	133.9	135.5	137.1	138.7	140.3
101.9	103.5	105.1	106.7	108.3	109.9	111.5	113.1	114.7	116.3	117.9	119.5	121.1	122.7	124.3	125.9	127.5	129.1	130.7	132.3	133.9	135.5	137.1	138.7	140.3	141.9
103.5	105.1	106.7	108.3	109.9	111.5	113.1	114.7	116.3	117.9	119.5	121.1	122.7	124.3	125.9	127.5	129.1	130.7	132.3	133.9	135.5	137.1	138.7	140.3	141.9	143.5
105.1	106.7	108.3	109.9	111.5	113.1	114.7	116.3	117.9	119.5	121.1	122.7	124.3	125.9	127.5	129.1	130.7	132.3	133.9	135.5	137.1	138.7	140.3	141.9	143.5	145.1
106.7	108.3	109.9	111.5	113.1	114.7	116.3	117.9	119.5	121.1	122.7	124.3	125.9	127.5	129.1	130.7	132.3	133.9	135.5	137.1	138.7	140.3	141.9	143.5	145.1	146.7
108.3	109.9	111.5	113.1	114.7	116.3	117.9	119.5	121.1	122.7	124.3	125.9	127.5	129.1	130.7	132.3	133.9	135.5	137.1	138.7	140.3	141.9	143.5	145.1	146.7	148.3
109.9	111.5	113.1	114.7	116.3	117.9	119.5	121.1	122.7	124.3	125.9	127.5	129.1	130.7	132.3	133.9	135.5	137.1	138.7	140.3	141.9	143.5	145.1	146.7	148.3	149.9
111.5	113.1	114.7	116.3	117.9	119.5	121.1	122.7	124.3	125.9	127.5	129.1	130.7	132.3	133.9	135.5	137.1	138.7	140.3	141.9	143.5	145.1	146.7	148.3	149.9	151.5
113.1	114.7	116.3	117.9																						



集装箱式机械密封 Cartridge mechanical seals

结构说明 (Structure Description):
Equivalent to Ango BE2 type
单罐筒式密封 (Single cartridge mechanical seal)
小罐筒式结构, 模块化设计, 互换性强 (Multiple spring, Modular design, suitable for stock)

运行参数 (Operating Limits):
温度 (Temperature): -50---204°C
转速 (Speed): 23m/s
压力 (Pressure): 25bar
标准尺寸 (Standard sizes): 22 - 100mm

常用材料组合 (Materials):
密封端面 (Seal ring): 石墨, 碳化硅, 氧化铝 (Car, Sic, Ssic, TC)
辅助密封 (Secondary seal): 丁腈橡胶, 氟橡胶, 乙丙橡胶, 全氟橡胶 (NBR, Viton, EPDM, Kalrez)
金属构件 (Spring and metal parts): 304, 316, HAST.C

	5	6	7	8	9	10	11	12	13	14	15	16	17	18	19	20
	D1	D2	D3	D4	D5	D6	D7	L1	L2	L3	S	G				
22	38.0	40.0	48.0	56	105	15	28	63	14	1/4						
25	43.0	44.0	51.0	58	105	15	28	63	14	1/4						
26	46.0	47.0	52.0	65	105	15	28	63	14	1/4						
28	46.0	47.0	52.0	65	105	15	28	63	14	1/4						
30	48.0	49.0	56.0	65	105	15	28	63	14	1/4						
32	49.8	51.0	57.0	67	105	15	28	63	14	1/4						
33	49.8	51.0	57.0	67	110	15	28	63	14	1/4						
35	53.0	54.0	62.0	70	113	15	28	63	14	3/8						
38	56.0	57.0	66.0	75	123	15	28	63	14	3/8						
40	58.0	59.0	69.0	75	123	15	28	63	16	3/8						
43	60.5	61.5	70.5	80	130	15	28	63	16	3/8						
45	62.5	64.0	73.0	80	130	15	28	63	16	3/8						
48	65.6	67.0	75.0	84	138	15	28	63	16	3/8						
50	68.0	69.0	78.0	87	142	15	28	63	16	3/8						
53	72.0	73.0	87.0	97	147	15	28	63	18	3/8						
55	73.0	74.0	83.0	97	147	15	28	63	18	3/8						
60	78.0	79.0	91.0	102	157	15	28	63	18	3/8						
65	83.0	84.5	99.0	109	163	15	28	63	18	3/8						
70	93.0	95.0	108.0	118	170	19	32	77	18	3/8						
75	98.0	100.0	119.0	129	190	19	32	77	18	3/8						
80	105.0	107.0	124.0	135	195	19	32	77	18	3/8						
85	110.0	112.0	128.0	139	200	19	32	77	22	3/8						
90	115.0	117.0	135.0	145	205	19	32	77	22	3/8						
95	119.0	120.7	137.0	148	210	19	32	77	22	3/8						
100	125.4	127.0	144.0	154	218	19	32	77	22	3/8						

CUSTOMER: _____

P.O. NO.: _____

REF: _____

DRAWN BY: _____

CHECKED: _____

APPVD: _____

SCALE: _____

www.asinoseal.com

Tel:+86-512-58227959

Fax:+86-512-58228759

Mail:sales@asinoseal.com

No.265 South Chang'an Rd,Zhangjiagang ,China

PAGE:X/X

ASINOSEAL CO.,LTD

张家港爱斯迪机械密封有限公司

Installation Drawing

TYPE & SIZE:

AS-C23S

68

Tel: +86-512 58227959 Fax:+86-512 58228759 Email: sales@asinoseal.com



Mechanical seal

集装箱式机械密封
Cartridge mechanical seals

	1	2	3	4	5	6	7	8	
	D1	D2	D3min	D3max	D4	D5	L1	L2	S
A	22	38.0	40.0	48.0	56	105	36	31	91
	25	43.0	44.0	51.0	58	105	36	31	91
	26	46.0	47.0	52.0	65	105	36	31	91
	28	46.0	47.0	52.0	65	105	36	31	91
	30	48.0	49.0	56.0	65	105	36	31	91
	32	49.8	51.0	57.0	67	105	36	31	91
	33	49.8	51.0	57.0	67	110	36	31	91
B	35	53.0	54.0	62.0	70	113	36	31	91
	38	56.0	57.0	66.0	75	123	36	31	91
	40	58.0	59.0	69.0	75	123	36	31	91
	43	60.5	61.5	70.5	80	130	36	31	91
	45	62.5	64.0	73.0	80	130	36	31	91
C	48	65.6	67.0	75.0	84	138	36	31	91
	50	68.0	69.0	78.0	87	142	36	31	91
	53	72.0	73.0	87.0	97	147	36	31	91
	55	73.0	74.0	83.0	97	147	36	31	91
	60	78.0	79.0	91.0	102	157	36	31	91
	65	83.0	84.5	99.0	109	163	36	31	91
D	70	93.0	95.0	108.0	118	170	46	35	112
	75	98.0	100.0	119.0	129	190	46	35	112
	80	105.0	107.0	124.0	135	195	46	35	112
	75	110.0	112.0	128.0	139	200	46	35	112
	90	115.0	117.0	135.0	145	205	46	35	112
E	95	119.0	120.7	137.0	148	210	46	35	112
	100	125.4	127.0	144.0	154	218	46	35	112

结构说明(Structure Description):
Equivalent to Anga BED seal
双端面非接触式密封 (tandem cartridge seal)
小弹簧式设计, 模块化设计, 互换性强(Multiple spring, Modular design, suitable for stock)

运行参数(Operating Limits):
温度(Temperature): -50---204°C
转速(Speed): 23m/s
压力(Pressure): 25bar
标准尺寸(Standard sizes): 22 - 100mm

常用材料组合 (Materials):
密封端面 (Seal ring): 石墨, 碳化硅, 氮化硅 (Car, Sic, Ssic, TC)
辅助密封 (Secondary seal): 丁腈橡胶, 氟橡胶, 乙丙橡胶, 全氟橡胶 (NBR, Viton, EPDM, FFKM or Kalrez.)
金属构件 (Spring and metal parts): 304, 316, HAST.C

CUSTOMER:	www.asinoseal.com	ASINOSEAL CO.,LTD
P.O. NO. :	Tel:+86-512-58227959	张家港爱斯诺机械密封有限公司
REF:	Fax:+86-512-58228759	Installation Drawing
DRAWN BY:	STA'D:	TYPE & SIZE:
CHECKED:	Mail-sales@asinoseal.com	AS-C23D
APPVD:	No.265 South Chang'An Rd,Zhangjiagang ,China	
SCALE:	DATE:	
	PAGE:X/X	





集装式机械密封
Cartridge mechanical seals

D1	D2	D3min	D3max	L1	L1	L2	L3	Na	Dz	S
25	43.0	44.0	51.5	67	42.4	24.6	25.4	62	105	13.2
28	46.0	47.0	52.0	67	42.4	24.6	25.4	62	105	13.2
30	48.0	49.0	56.0	67	42.4	24.6	25.4	65	105	13.2
32	49.8	51.0	57.0	67	42.4	24.6	25.4	67	108	13.2
33	49.8	51.0	57.0	67	42.4	24.6	25.4	67	108	13.2
35	53.0	54.0	61.5	67	42.4	24.6	25.4	70	113	13.2
38	56.0	57.0	66.0	67	42.4	24.6	25.4	75	123	13.2
40	58.0	59.0	68.0	67	42.4	24.6	25.4	75	123	14.2
42	60.5	61.5	69.5	67	42.4	24.6	25.4	80	133	14.2
43	60.5	61.5	70.5	67	42.4	24.6	25.4	80	133	14.2
45	62.5	64.0	73.0	67	42.4	24.6	25.4	81	138	14.2
48	65.6	67.0	75.0	67	42.4	24.6	25.4	84	138	14.2
50	68.0	69.0	78.0	67	42.4	24.6	25.4	87	148	14.2
53	72.0	73.0	87.0	67	42.4	24.6	25.4	97	148	18.0
55	73.0	74.0	83.0	67	42.4	24.6	25.4	90	148	18.0
60	78.0	79.0	91.0	67	42.4	24.6	25.4	102	157	18.0
65	84.8	85.7	98.5	67	42.4	24.6	25.4	109	163	18.0
70	93.0	95.0	108.0	67	42.4	24.6	25.4	118	178	18.0
75	100.0	101.6	118.0	84	57.4	26.6	28.0	129	190	18.0
80	106.4	108.0	124.0	84	57.4	26.6	28.0	135	195	18.0
85	109.5	111.1	128.0	84	57.4	26.6	28.0	139	198	22.0
90	115.9	117.5	135.0	84	57.4	26.6	28.0	145	205	22.0
95	119.1	120.7	138.0	84	57.4	26.6	28.0	148	208	22.0
100	125.4	127.0	144.0	84	57.4	26.6	28.0	154	218	22.0

结构说明(Structure Description):
Equivalent to Burgmann CarTex-SN type
单端面集装式密封 (Single cartridge mechanical seal)
小弹簧结构, 平衡型, 通用性强 (Multiple spring, balanced, most popular type)

运行参数(Operating Limits):
温度(Temperature): -50---204°C
转速(Speed): 23m/s
压力(Pressure): 20bar
标准尺寸(Standard sizes): 25 - 100mm or 1" - 4.00"

常用材料组合(Material):
密封环(Seal ring): 石墨, 碳化硅, 碳化钨 (Car, Sic, Ssic, Tc)
辅助密封(Secondary seal): 丁腈橡胶, 乙丙橡胶, 氟橡胶, 全氟橡胶 (NBR, EPDM, Viton, Kalrez)
金属构成(Spring and Metal parts): 304, 316, HAST-C

CUSTOMER: www.asinoseal.com
P.O. NO.: Tel:+86-512-58227959
REF: Fax:+86-512-58228759
DRAWN BY: STA'D: Mail:sales@asinoseal.com
CHECKED: No.265 South Chang'An Rd,Zhangjiagang ,China
APPVD:
SCALE: DATE: PAGE:X/X

ASINOSEAL CO.,LTD
张家港爱斯诺机械密封有限公司
Installation Drawing
TYPE & SIZE:
AS-C26S





集装箱式机械密封
Cartridge mechanical seals

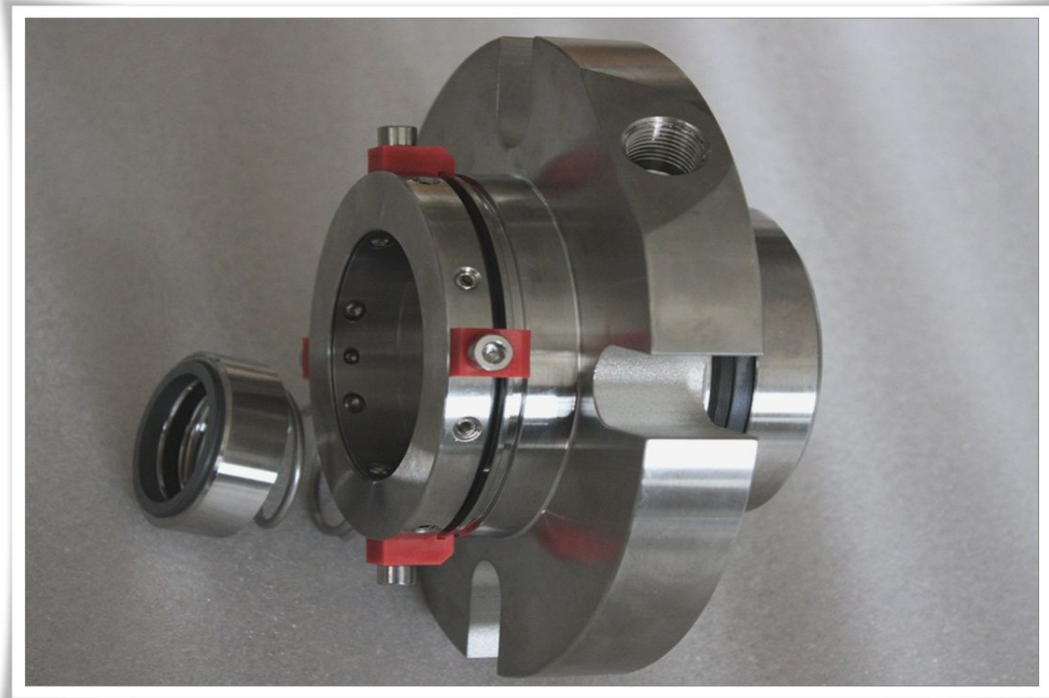
D1	D2	D3min	D3max	L1	L2	L4	L	Dm	a2	Dz	S
25	43.0	44.0	51.5	53.4	33.1	25.4	86.5	62	65	105	13.2
28	46.0	47.0	52.0	53.4	33.1	25.4	86.5	62	65	105	13.2
30	48.0	49.0	56.0	53.4	33.1	25.4	86.5	65	67	105	13.2
32	49.8	51.0	57.0	53.4	33.1	25.4	86.5	67	70	108	13.2
33	49.8	51.0	57.0	53.4	33.1	25.4	86.5	67	70	108	13.2
35	53.0	54.0	61.5	53.4	33.1	25.4	86.5	70	72	113	13.2
38	56.0	57.0	66.0	53.4	33.1	25.4	86.5	75	75	123	13.2
40	58.0	59.0	68.0	53.4	33.1	25.4	86.5	75	77	123	14.2
42	60.5	61.5	69.5	53.4	33.1	25.4	86.5	80	80	133	14.2
43	60.5	61.5	70.5	53.4	33.1	25.4	86.5	80	80	133	14.2
45	62.5	64.0	73.0	53.4	33.1	25.4	86.5	81	82	138	14.2
48	65.6	67.0	75.0	53.4	33.1	25.4	86.5	84	85	138	14.2
50	68.0	69.0	78.0	53.4	33.1	25.4	86.5	87	87	148	14.2
53	72.0	73.0	87.0	53.4	33.1	25.4	86.5	97	97	148	18.0
55	73.0	74.0	83.0	53.4	33.1	25.4	86.5	90	92	148	18.0
60	78.0	79.0	91.0	53.4	33.1	25.4	86.5	102	102	157	18.0
65	84.8	85.7	98.5	53.4	33.1	25.4	86.5	109	109	163	18.0
70	93.0	95.0	108.0	53.4	33.1	25.4	86.5	118	118	178	18.0
75	100.0	101.6	118.0	63.9	44.1	28.0	108.0	129	129	190	18.0
80	106.4	108.0	124.0	63.9	44.1	28.0	108.0	135	135	195	18.0
85	109.5	111.1	128.0	63.9	44.1	28.0	108.0	139	139	198	22.0
90	115.9	117.5	135.0	63.9	44.1	28.0	108.0	145	145	205	22.0
95	119.1	120.7	138.0	63.9	44.1	28.0	108.0	148	148	208	22.0
100	125.4	127.0	144.0	63.9	44.1	28.0	108.0	154	154	218	22.0

结构说明(Structure Description):
Equivalent to Burgmann Cartex-DN seal
双端面集装式密封 (Double cartridge mechanical seal)
小弹簧结构, 平衡型, 通用性强 (Multiple spring ,balanced,most popular type)

运行参数(Operating Limits):
温度(Temperature): -50---204°C
转速(Speed): 23m/s
压力(Pressure): 20bar
标准尺寸(Standard size): 25 - 100mm or 1" - 4.00"

常用材料组合(Material):
密封端面(Seal ring): 石墨, 碳化硅, 碳化钨 (Car,Sic,Ssic,TC)
辅助密封(Secondary seal): 丁腈橡胶, 乙丙橡胶, 氟橡胶, 全氟橡胶 (NBR,EPDM,Viton,Kalrez)

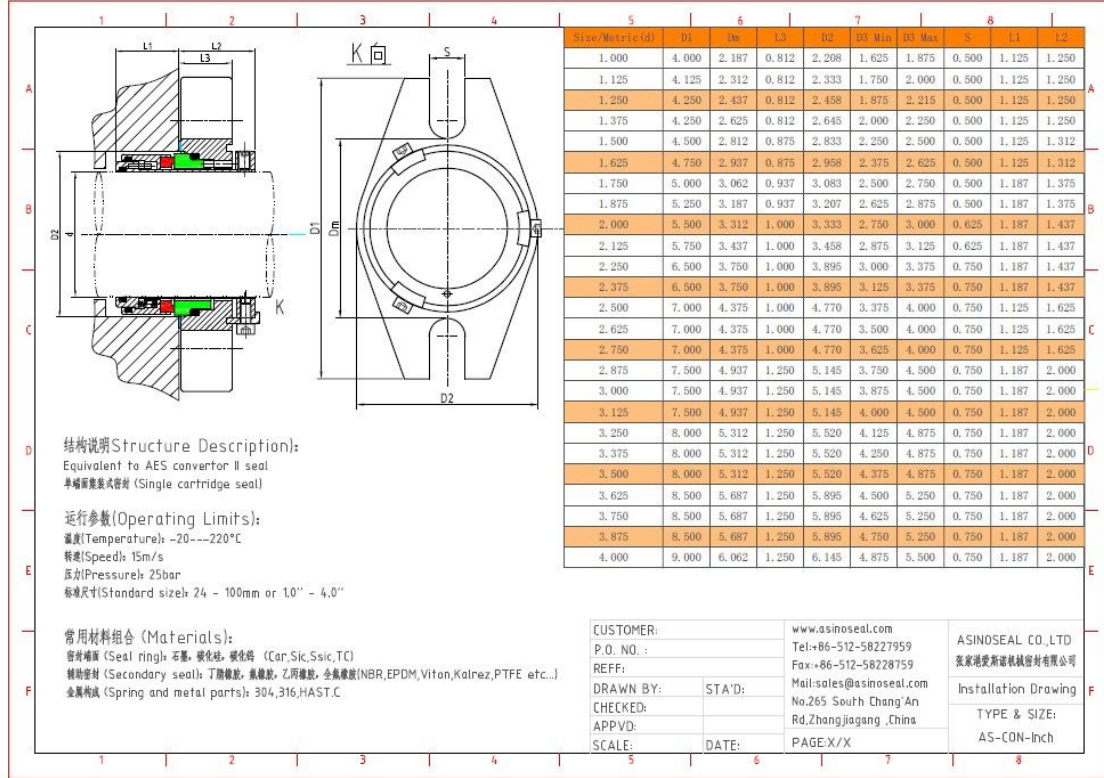
CUSTOMER:	www.asinoseal.com	ASINOSEAL CO.,LTD
P.O. NO.:	Tel:+86-512-58227959	张家港新诺机械密封有限公司
REF:	Fax:+86-512-58228759	
DRAWN BY:	STA'D:	Installation Drawing
CHECKED:		TYPE & SIZE:
APPVD:		AS-C26D
SCALE:	DATE:	PAGE:X/X





Mechanical seal

集装箱式机械密封
Cartridge mechanical seals





集装式机械密封
Cartridge mechanical seals

Item No.	D1	D2	L3	D2	D1 Min	D1 Max	S	L1	L2
24	101.6	55.6	20.7	56.1	40.0	48.0	12	28.6	31.8
25	101.6	55.6	20.7	56.1	41.0	48.0	12	28.6	31.8
28	104.8	58.8	20.7	59.3	44.0	50.0	12	28.6	31.8
30	108.0	61.9	20.7	62.4	46.0	54.0	12	28.6	31.8
32	108.0	61.9	20.7	62.4	48.0	54.0	12	28.6	31.8
33	108.0	61.9	20.7	62.4	49.0	55.0	12	28.6	31.8
35	108.0	66.7	20.7	67.2	51.0	59.0	12	28.6	31.8
38	114.3	71.5	22.3	72.0	57.2	62.0	12	28.6	33.4
40	114.3	71.5	22.3	72.0	58.0	64.0	12	28.6	33.4
43	120.7	74.6	22.3	75.1	61.0	67.0	12	28.6	33.4
45	127.0	77.8	23.8	78.3	63.5	69.0	12	30.2	35.0
48	133.4	81.0	23.8	81.5	66.7	72.0	12	30.2	35.0
50	133.4	81.0	23.8	81.5	68.0	74.0	12	30.2	35.0
53	139.7	84.2	25.4	84.7	71.0	77.0	16	30.2	36.5
55	146.1	87.3	25.4	87.8	74.0	79.0	16	30.2	36.5
58	165.1	95.3	25.4	96.9	79.4	85.7	20	30.2	36.5
60	165.1	95.3	25.4	96.9	79.4	85.7	20	30.2	36.5
63	177.8	111.2	25.4	121.2	85.8	101.6	20	28.6	41.2
65	177.8	111.2	25.4	121.2	88.9	101.6	20	28.6	41.2
68	177.8	111.2	25.4	121.2	92.1	101.6	20	28.6	41.2
70	177.8	111.2	25.4	121.2	92.1	101.6	20	28.6	41.2
75	190.5	125.4	31.7	130.7	98.5	114.3	20	30.2	50.8
80	190.5	125.4	31.7	130.7	101.6	114.3	20	30.2	50.8
85	203.2	135.0	31.7	140.2	106.0	123.8	20	30.2	50.8
90	215.9	144.5	31.7	149.7	114.3	133.3	20	30.2	50.8
95	215.9	144.5	31.7	149.7	117.5	133.3	20	30.2	50.8
100	228.6	154.0	31.7	156.1	123.9	139.7	20	30.2	50.8

结构说明 (Structure Description):
Equivalent to AES Converter II seal
单端面集装式密封 (Single cartridge seal)

运行参数 (Operating Limits):
温度 (Temperature): -20---220°C
转速 (Speed): 15m/s
压力 (Pressure): 25bar
标准尺寸 (Standard size): 24 - 100mm or 1.0" - 4.0"

常用材料组合 (Materials):
密封端面 (Seal ring): 石墨, 碳化硅, 氧化铝 (Car,Sic,Ssic,TC)
辅助密封 (Secondary seal): 丁腈橡胶, 氟橡胶, 乙丙橡胶, 全氟橡胶 (NBR,EPDM,Viton,Kalrez,PTFE etc.)
金属附件 (Spring and metal parts): 304,316,HAST.C

CUSTOMER:	www.asinoseal.com	ASINOSEAL CO.,LTD
P.O. NO.:	Tel:+86-512-58227959	张家港爱斯耐机械密封有限公司
REF:	Fax:+86-512-58228759	
DRAWN BY:	STA'D	Installation Drawing
CHECKED:		TYPE & SIZE:
APPVD:		AS-CON-Metric
SCALE:	DATE:	PAGE:X/X





Mechanical seal

集装箱式机械密封
Cartridge mechanical seals

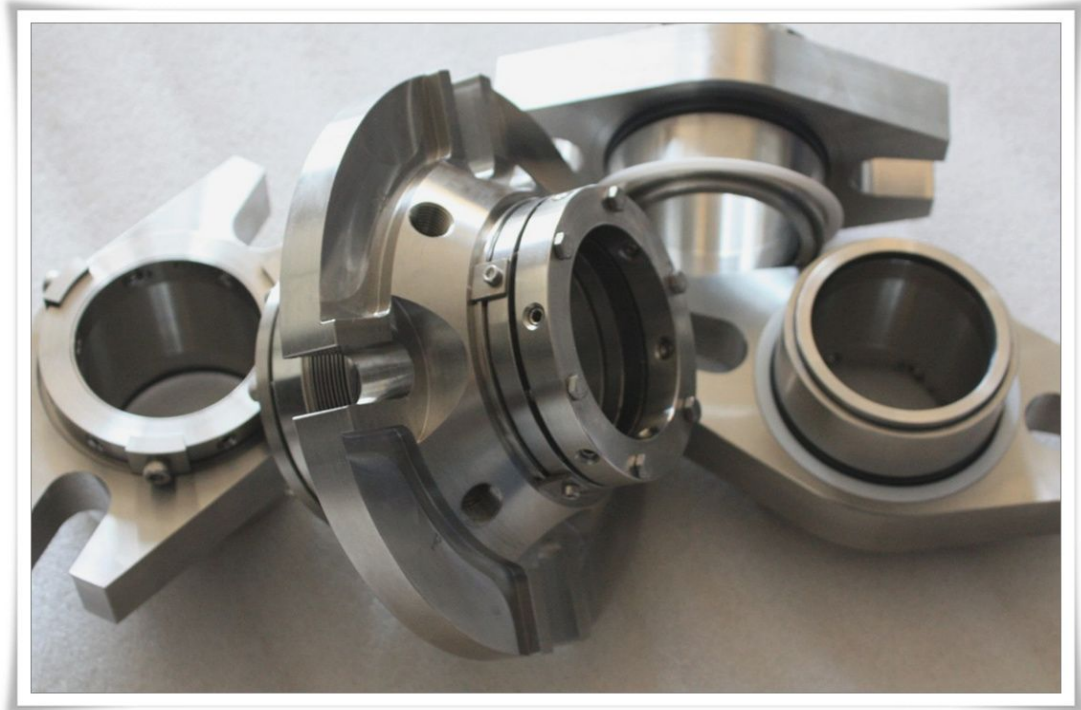
Size/Inch (d)	De	De	D3 min	D3 max	S max	L1	L2
1.000	4.125	2.125	1.625	1.937	1/2	1.500	2.062
1.125	4.250	2.250	1.750	2.062	1/2	1.500	2.062
1.250	4.375	2.375	1.875	2.187	1/2	1.500	2.062
1.375	4.375	2.500	2.000	2.250	1/2	1.500	2.062
1.500	5.000	2.812	2.250	2.375	1/2	1.625	2.062
1.625	5.000	2.812	2.375	2.500	1/2	1.625	2.062
1.750	5.500	3.187	2.500	2.750	1/2	1.625	2.062
1.875	5.500	3.187	2.625	2.875	1/2	1.625	2.062
2.000	6.000	3.562	2.750	3.000	1/2	1.750	2.062
2.000-AC	5.250	3.450	2.750	3.000	1/2	1.750	2.062
2.125	6.000	3.562	2.875	3.125	1/2	1.750	2.062
2.250	6.500	3.812	3.000	3.250	5/8	1.750	2.062
2.375	6.500	3.812	3.125	3.375	5/8	1.750	2.062
2.500	7.000	4.312	3.375	3.625	5/8	1.937	2.437
2.625	7.000	4.312	3.500	3.750	5/8	1.937	2.437
2.750	7.000	4.312	3.625	3.875	5/8	1.937	2.437
2.875	7.500	4.937	3.750	4.125	5/8	1.937	2.437
3.000	7.500	4.937	3.875	4.250	5/8	2.000	2.437
3.125	7.500	4.937	4.000	4.375	5/8	2.000	2.437
3.250	8.000	5.312	4.125	4.500	3/4	2.000	2.437
3.375	8.000	5.312	4.250	4.625	3/4	2.000	2.437
3.500	8.000	5.312	4.375	4.750	3/4	2.000	2.437
3.625	8.500	5.937	4.500	5.000	3/4	2.000	2.437
3.750	8.500	5.937	4.625	5.125	3/4	2.000	2.437
3.875	9.000	6.625	4.875	5.500	3/4	2.000	2.437
4.000	9.000	6.625	4.875	5.500	3/4	2.000	2.437

结构说明 (Structure Description):
Equivalent to AES BSG Seal
单端密封管式机械密封 (Metal bellows single cartridge mechanical seal)
焊接波纹管结构, 无任何橡胶件 (Welded metal bellows design, no elastomers)

运行参数 (Operating Limits):
温度 (Temperature): -75---425°C
转速 (Speed): 23m/s
压力 (Pressure): 25bar
标准尺寸 (Standard sizes): 24 - 100mm or 1" - 4.00"

常用材料组合 (Materials):
密封端面 (Seal ring): 石墨, 碳化硅, 氮化硅 (Car, Sic, Ssic, Tci)
辅助密封 (Secondary seal): 柔性石墨 (Graphite)
金属衬套 (Spring and metal parts): Brass, 304, 316, AM350, Inconel 718, Titanium, HAST.C

CUSTOMER:	www.asinoseal.com	ASINOSEAL CO.,LTD
P.O. NO.:	Tel:+86-512-58227959	张家港爱斯诺机械密封有限公司
REF:	Fax:+86-512-58228759	
DRAWN BY:	STA'D:	Installation Drawing
CHECKED:		TYPE & SIZE:
APPVD:		AS-CMBS-Inch
SCALE:	DATE:	PAGE:X/X





集装式机械密封
Cartridge mechanical seals

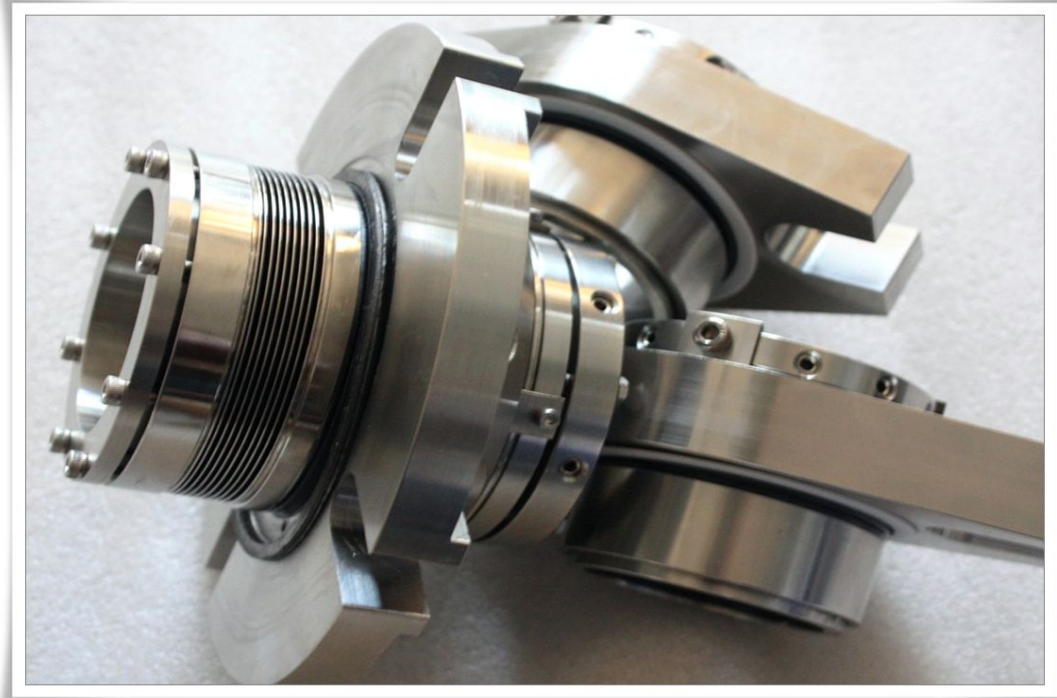
Size/Metric (D)	Dg	Dm	D3_min	D3_max	S_max	L1	L2
24	104.8	49.2	41.0	49.0	12	38.1	52.3
25	104.8	49.2	41.0	49.0	12	38.1	52.3
28	108.0	52.4	44.0	52.3	12	38.1	52.3
30	111.0	55.6	46.0	55.5	12	38.1	52.3
32	111.0	55.6	48.0	55.5	12	38.1	52.3
33	111.0	55.6	49.0	55.5	12	38.1	52.3
35	111.0	58.8	51.0	57.5	12	38.1	52.3
38	127.0	65.0	57.2	60.3	12	41.3	52.3
40	127.0	65.0	58.0	60.4	12	41.3	52.3
43	127.0	65.0	61.0	63.5	12	41.3	52.3
45	139.7	71.4	63.5	69.9	12	41.3	52.3
48	139.7	71.4	66.7	73.0	12	41.3	52.3
50	139.7	71.4	68.0	73.0	12	41.3	52.3
53	152.4	77.8	71.0	76.2	12	44.5	52.3
55	152.4	77.8	74.0	79.4	12	44.5	52.3
58	165.1	84.1	76.2	82.5	16	44.5	52.3
60	165.1	84.1	79.4	85.7	16	44.5	52.3
63	177.8	96.8	85.8	92.1	16	49.2	62.0
65	177.8	96.8	88.9	95.3	16	49.2	62.0
68	177.8	96.8	92.1	98.4	16	49.2	62.0
70	177.8	96.8	92.1	98.4	16	50.8	62.0
75	190.5	108.0	98.5	108.0	16	50.8	62.0
80	190.5	108.0	101.6	111.1	16	50.8	62.0
85	203.2	117.5	108.0	117.5	20	50.8	62.0
90	215.9	127.0	114.3	127.0	20	50.8	62.0
95	215.9	127.0	117.5	130.2	20	50.8	62.0
100	228.6	136.5	123.9	139.7	20	50.8	62.0

结构说明 (Structure Description):
Equivalent to AES B5FG Seat
半端面波纹管集装式密封 (Metal bellows single cartridge mechanical seal)
焊接波纹管结构, 无任何橡胶件 (Welded metal bellows design, no elastomers)

运行参数 (Operating Limits):
温度 (Temperature): -75---+25°C
转速 (Speed): 23m/s
压力 (Pressure): 25bar
标准尺寸 (Standard size): 24 - 100mm or 1" - 4.00"

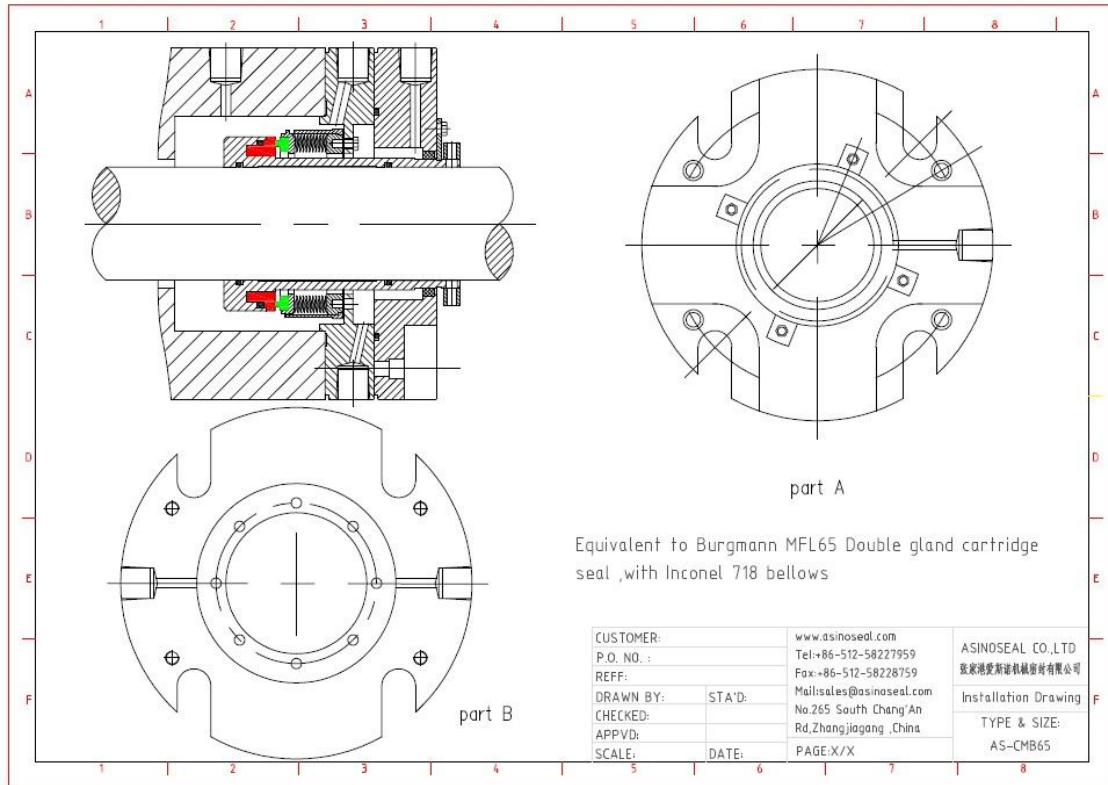
常用材料组合 (Materials):
密封端面 (Seal ring): 石墨, 碳化硅, 氧化铝 (Car,SiC,Ssic,TC)
辅助密封 (Secondary seal): 柔性石墨 (Graphite)
金属波纹管 (Spring and metal parts): Brass,304,316,AM350,Inconel 718,Titanium,HAST.C

CUSTOMER:	www.asinoseal.com	ASINOSEAL CO.,LTD 张家港爱斯盾机械密封有限公司
P.O. NO.:	Tel:+86-512-58227959	
REF:	Fax:+86-512-58228759	Installation Drawing
DRAWN BY:	Mail:sales@asinoseal.com	
CHECKED:	No.265 South Chang'An	TYPE & SIZE:
APPVD:	Rd.Zhangjiagang ,China	AS-CMBS-Metric
SCALE:	DATE:	PAGE:X/X



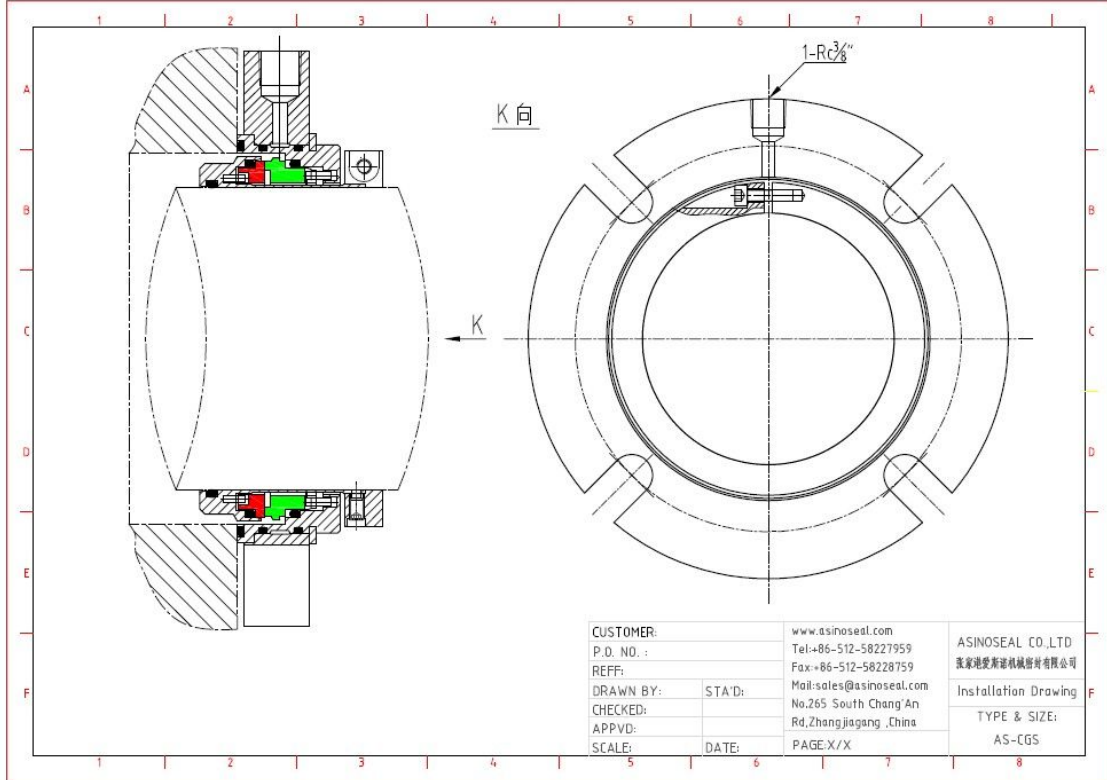


集装箱机械密封
Cartridge mechanical seals



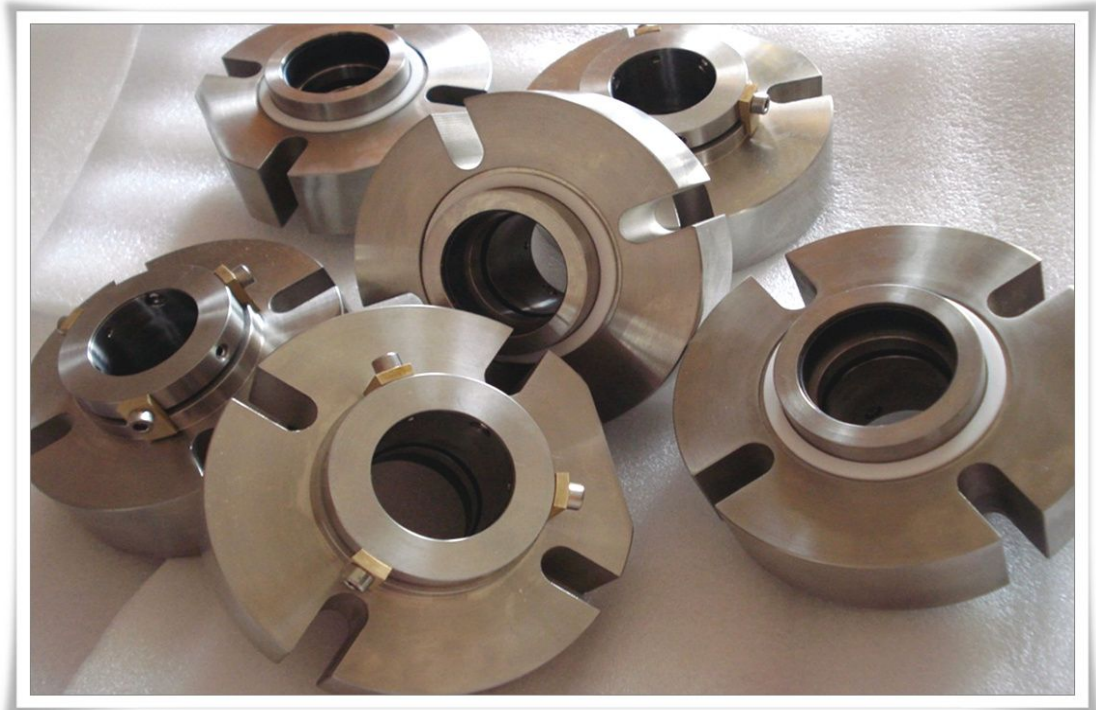
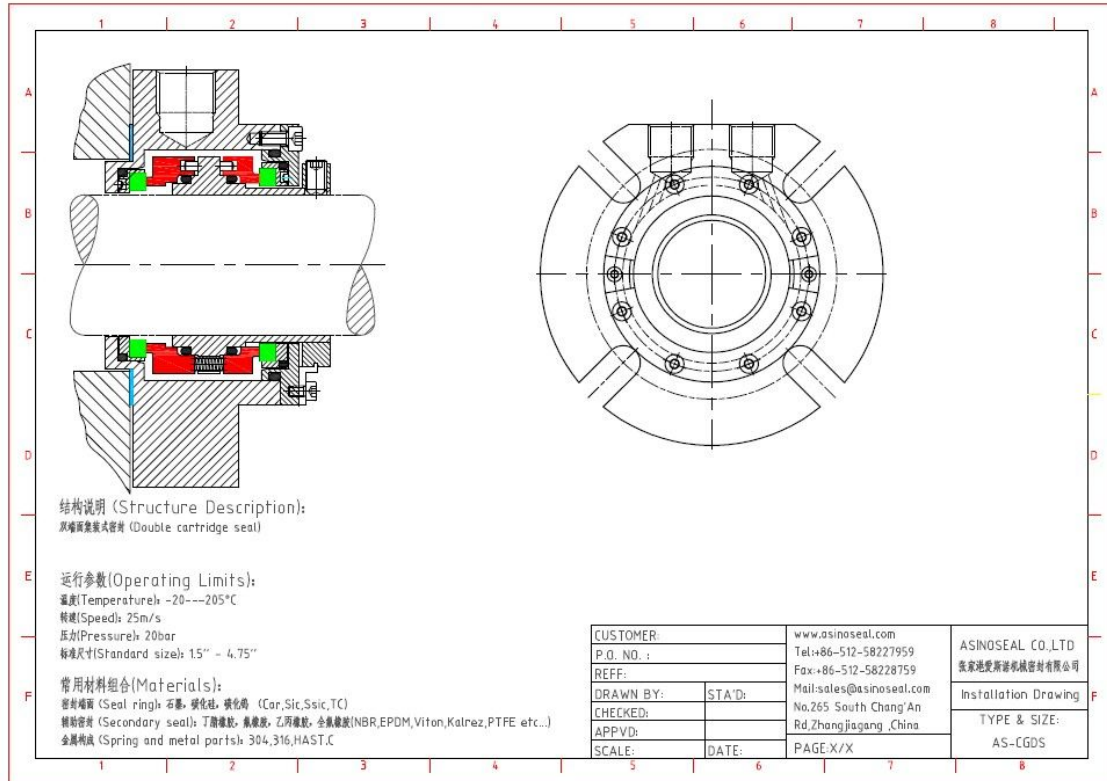


集装箱式机械密封
Cartridge mechanical seals



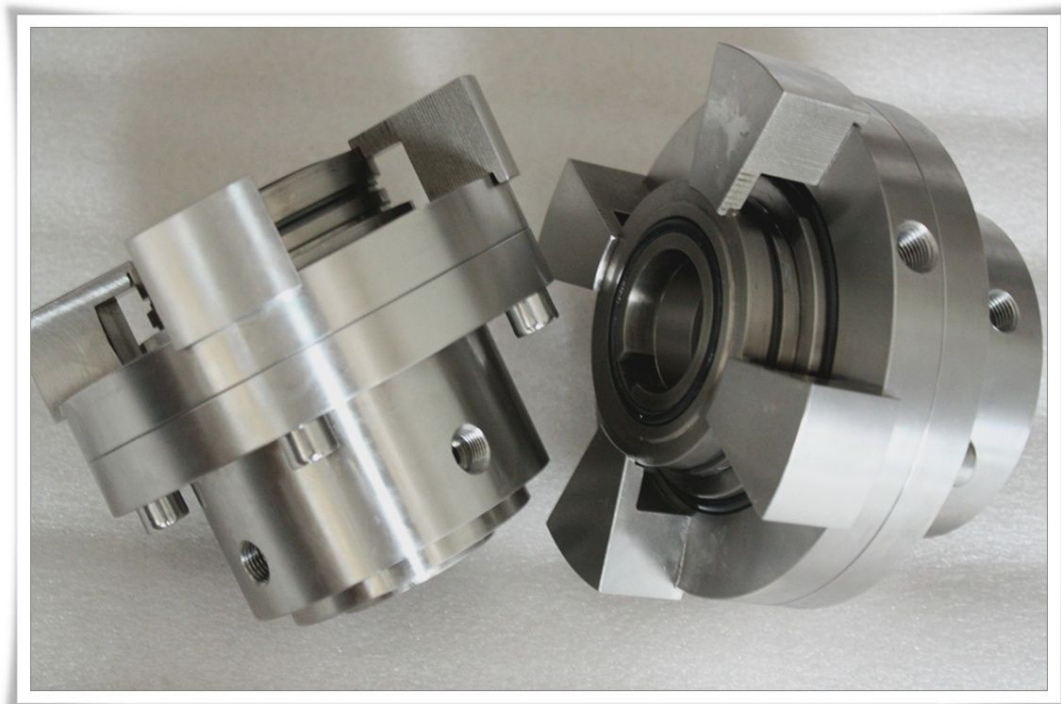
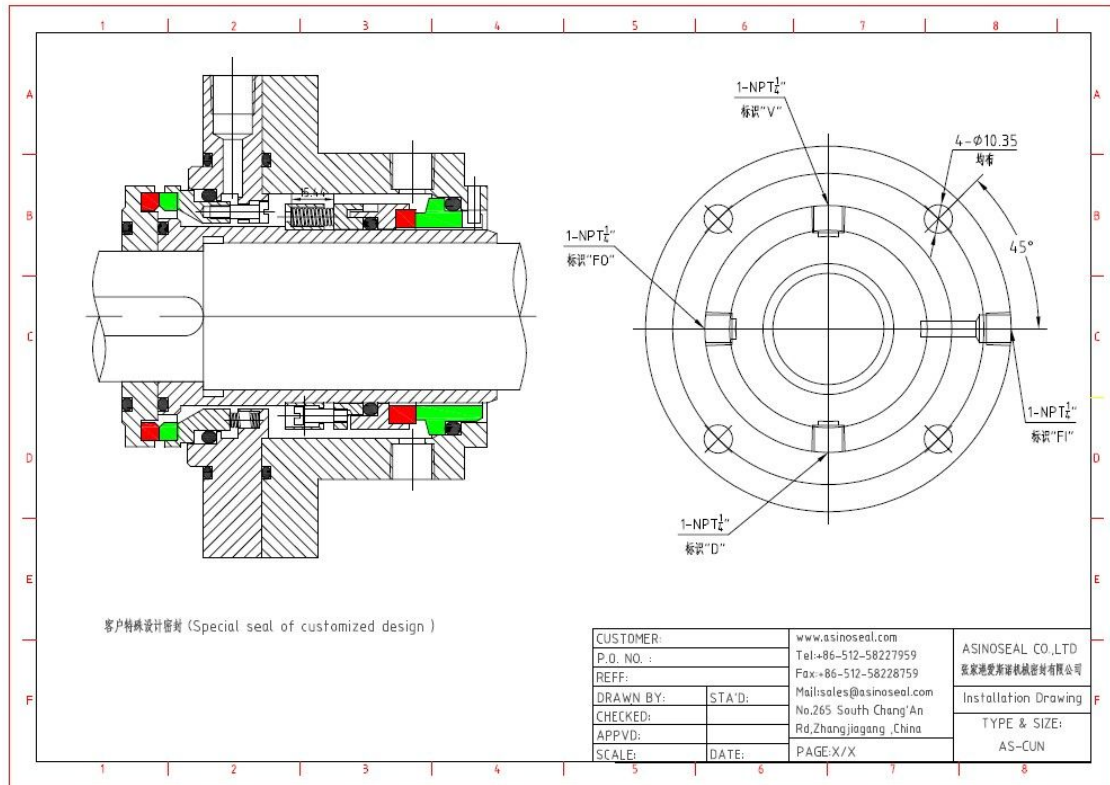


集装式机械密封
Cartridge mechanical seals



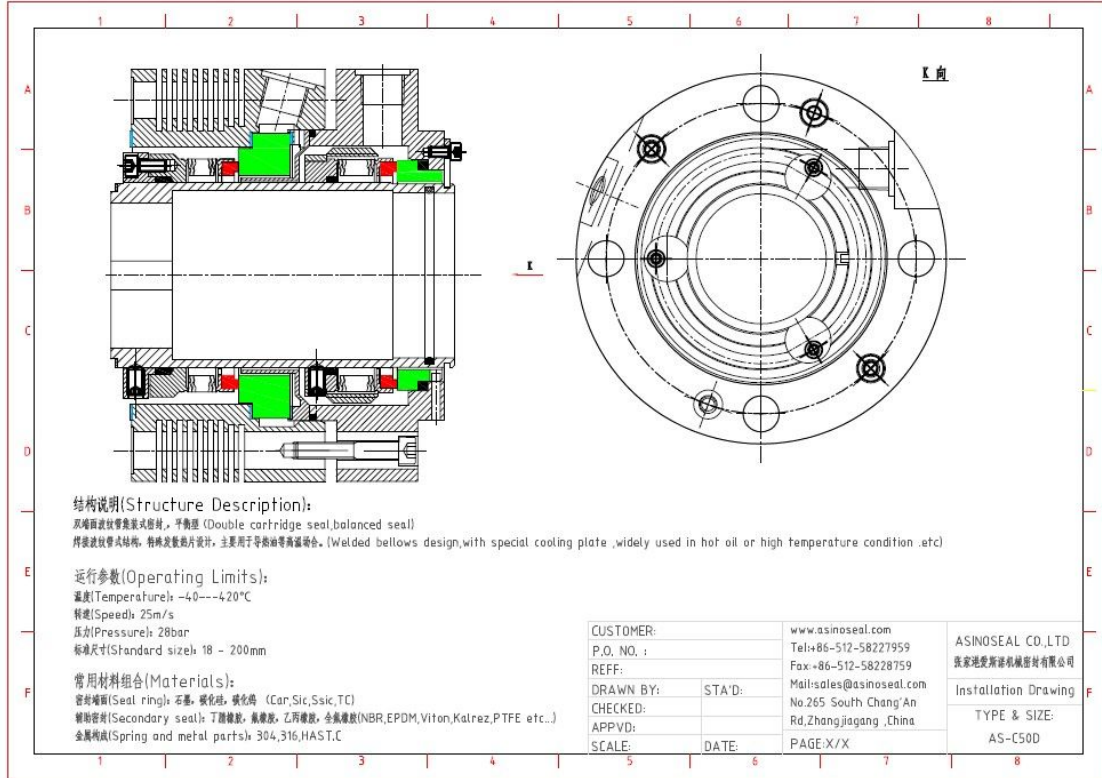


集装式机械密封
Cartridge mechanical seals





集装式机械密封
Cartridge mechanical seals





Mechanical seal

集装式机械密封
Cartridge mechanical seals

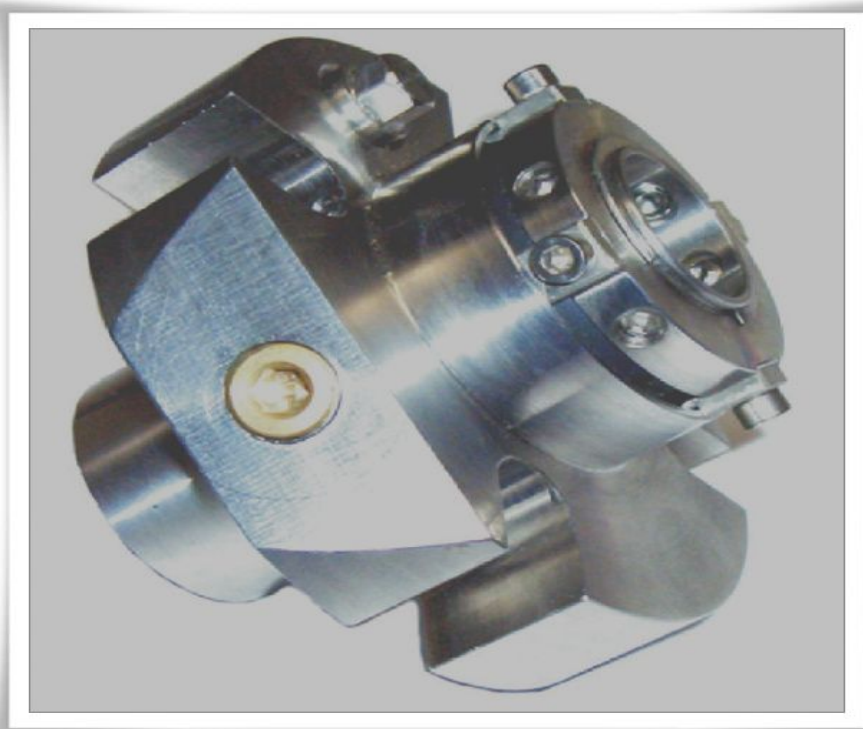
Size/Metric (d)	D2	D1	D2	D2	S
50	95	89	180	113	17.5
55	100	94	185	118	17.5
60	105	99	190	123	17.5
65	110	104	195	128	17.5
70	115	109	200	133	17.5
75	120	114	205	138	17.5
80	125	119	210	143	17.5
85	130	124	215	148	21.5
90	135	129	220	153	21.5
95	140	134	225	158	21.5
100	145	139	230	163	21.5
105	150	144	235	168	21.5
110	155	149	240	173	21.5
115	160	154	245	178	21.5
120	165	159	250	183	21.5
125	170	164	255	188	21.5
130	175	169	260	193	21.5
135	180	174	265	198	21.5
140	185	179	270	203	21.5
145	190	184	275	208	21.5
150	195	189	280	213	21.5
155	200	194	285	218	21.5
160	205	199	290	223	21.5
165	210	204	295	228	21.5
170	215	209	300	233	21.5
175	220	214	305	238	21.5
180	225	219	310	243	21.5
185	230	224	315	248	21.5
190	235	229	320	253	21.5
195	240	234	325	258	21.5
200	245	239	330	263	21.5

结构说明(Structure Description):
Equivalent to Depac 365 seal
双端筒集装式密封 (Double cartridge seal)
小筒筒式设计, 模块化设计, 互换性强(Multiple spring, Modular design, suitable for stock)

运行参数(Operating Limits):
温度(Temperature): -50---204°C
转速(Speed): 25m/s
压力(Pressure): 28bar
标准尺寸(Standard size): 50 - 200mm

常用材料组合 (Materials):
密封环 (Seal ring): 石墨, 碳化硅, 碳化钨 (Car, Sic, Ssic, Tc)
辅助密封 (Secondary seal): 丁腈橡胶, 氟橡胶, 乙丙橡胶, 全氟橡胶 (NBR, EPDM, Viton, Kalrez, PTFE etc...)
金属材质 (Spring and metal parts): 304, 316, HAST.C

CUSTOMER:	www.asinoseal.com	ASINOSEAL CO.,LTD
P.O. NO.:	Tel:+86-512-58227959	张家港爱斯耐密封有限公司
REF:	Fax:+86-512-58228759	
DRAWN BY:	STA'D	Installation Drawing
CHECKED:		TYPE & SIZE:
APPVD:		AS-C365D
SCALE:	DATE:	PAGE:X/X





Mechanical seal

集装箱式机械密封
Cartridge mechanical seals

Size Metric (mm)	D1	D2	Dz	L1	L2	L3	Dm	Dn	S
24	42.4	48	104	28.8	28.8	48	62	72	12.5
25	43.4	49	104	28.8	28.8	48	62	72	12.5
28	46.4	52	104	28.8	28.8	48	62	72	12.5
30	48.4	54	104	28.8	28.8	48	65	75	12.5
32	50.4	56	104	28.8	28.8	48	67	77	12.5
33	51.4	57	104	28.8	28.8	48	67	77	12.5
35	53.4	59	115	28.8	28.8	48	70	80	12.5
38	56.4	62	125	28.8	28.8	48	75	85	14.7
40	58.4	64	125	28.8	28.8	48	75	85	14.7
43	61.4	67	133	28.8	28.8	48	80	90	14.7
45	63.4	69	140	28.8	28.8	48	81	91	14.7
48	66.4	72	140	28.8	28.8	48	84	94	14.7
50	68.4	74	140	28.8	28.8	48	87	97	14.7
53	71.4	77	150	28.8	28.8	48	90	100	17.5
55	73.4	79	150	28.8	28.8	48	92	102	17.5
60	78.4	84	160	28.8	28.8	48	100	110	17.5
65	83.4	89	165	28.8	28.8	48	105	115	17.5
70	88.4	94	180	28.8	28.8	48	120	130	17.5
75	100	108	190	28.8	28.8	48	125	135	17.5
80	105	113	190	28.8	28.8	48	130	140	17.5
85	110	118	220	28.8	28.8	48	135	145	21.5
90	115	123	220	28.8	28.8	48	140	150	21.5
95	120	128	220	28.8	28.8	48	145	155	21.5
100	125	133	220	28.8	28.8	48	150	160	21.5

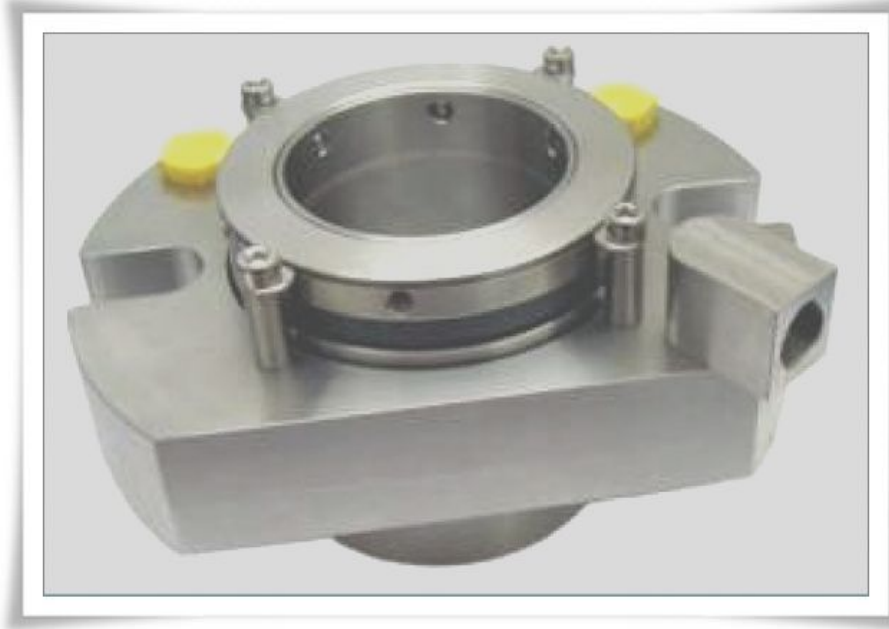
结构说明 (Structure Description):
双端面集装式密封,也可改为单端面集装式 (Double cartridge seal, single seal is also available)
小弹簧式结构,轴向安装尺寸短 (Multiple spring design, short installation length)

运行参数 (Operating Limits):
温度 (Temperature): -50---204°C
转速 (Speed): 25m/s
压力 (Pressure): 25bar
标准尺寸 (Standard size): 24 - 100mm

常用材料组合 (Materials):
密封环 (Seal ring): 石墨, 碳化硅, 氧化铝 (Car, SiC, SiC, TC)
辅助密封 (Secondary seal): 丁腈橡胶, 氟橡胶, 乙丙橡胶, 全氟橡胶 (NBR, EPDM, Viton, Kalrez, PTFE etc.)
金属构件 (Spring and metal parts): 304, 316, HAST.C

CUSTOMER: _____ www.asinoseal.com
P.D. NO.: _____ Tel:+86-512-58227959
REF: _____ Fax:+86-512-58228759
DRAWN BY: _____ STA'D: _____ Mail:sales@asinoseal.com
CHECKED: _____ No.265 South Chang'An
APPVD: _____ Rd,Zhengjiagang ,China
SCALE: _____ DATE: _____ PAGE:X/X

ASINOSEAL CO.,LTD
张家港爱斯盾机械密封有限公司
Installation Drawing
TYPE & SIZE:
AS-CDS





集装箱机械密封
Cartridge mechanical seals

