

CATALOG FOR CROSS REFERENCE

Seat Series

	AES	VULCAN	Burgmann	CRANE	Roten	Sterling	Flowserve	Pages
AS-S06/S606	S03	8.DINS	<u>G6/G606</u>	BS		SM32DINS	8S	1
AS-S04	S01	8.STD	<u>G4</u>					1
AS-SBO	S06	24.DINS		<u>BO</u>		522DINS	4S	2
AS-SBS	S03	8.DINS	G6	<u>BS</u>		SM32DINS	8S	2
AS-S13			<u>G13</u>					3
AS-S12		<u>12</u>						3
AS-S12D		<u>12DIN</u>						4
AS-SBC				<u>BC</u>				4
AS-S09/S092	S02	8.DINL	<u>G9/G92</u>			SM32DINL	8L	5
AS-S16			<u>G16</u>					5
AS-S24L	S05	<u>24.DINL</u>				522DINL	4L	6
AS-SBD	S010			<u>BD</u>				6
AS-SPG				<u>PG</u>				7
AS-ORSA	S07/S070	21		W TYPE	W		1H	7
AS-ORSE	S07/S070	31		W TYPE	W		1H	8
AS-S60			<u>G60</u>					8
AS-S20		<u>20</u>						9
AS-S24		<u>24</u>						9
AS-S11		<u>11</u>						10
AS-S210				<u>2100</u>				10
AS-SBP	S010			<u>BP</u>				11
AS-SAG				<u>AG</u>				11
AS-SV	S08/S080	25		<u>V</u>	V	T		12
AS-S27		<u>27</u>						12



机械密封标准静环系列
Standard stationary ring series

Size/Metric	d	D6	D7	L4	L8
10	10	17	21	6.6	7.5
12	12	19	23	6.6	7.5
14	14	21	25	6.6	7.5
16	16	23	27	6.6	7.5
18	18	27	33	7.5	8.5
20	20	29	35	7.5	8.5
22	22	31	37	7.5	8.5
24	24	33	39	7.5	8.5
25	25	34	40	7.5	8.5
28	28	37	43	7.5	8.5
30	30	39	45	7.5	8.5
32	32	42	48	7.5	8.5
33	33	42	48	7.5	8.5
35	35	44	50	7.5	8.5
38	38	49	56	9.0	10.0
40	40	51	58	9.0	10.0
43	43	54	61	9.0	10.0
45	45	56	63	9.0	10.0
48	48	59	66	9.0	10.0
50	50	62	70	9.5	10.5
53	53	65	73	11.0	12.0
55	55	67	75	11.0	12.0
58	58	70	78	11.0	12.0
60	60	72	80	11.0	12.0
63	63	75	83	11.0	12.0
65	65	77	85	11.0	12.0
68	68	81	90	11.3	12.5
70	70	83	92	11.3	12.5
75	75	88	97	11.3	12.5
80	80	95	105	12.0	13.0
85	85	100	110	14.0	15.0
90	90	105	115	14.0	15.0
95	95	110	120	14.0	15.0
100	100	115	125	14.0	15.0

Equivalent to AES S03,Vulcan 8.DINS,Burgmann G6/G606,Crane BS
Sterling SM32DINS,Flowserve 8S seat

CUSTOMER:	www.asinoseal.com	ASINOSEAL CO.,LTD
P.O. NO.:	Tel:+86-512-58227959	张家港爱斯密封机械有限公司
REF:	Fax:+86-512-58228759	Installation Drawing
DRAWN BY:	STA'D:	TYPE & SIZE:
CHECKED:	No.265 South Chang'An	AS-S06&S606
APPVd:	Rd,Zhangjiagang ,China	
SCALE:	DATE:	PAGE:X/X

Size/Metric	d	D6	D7	L4	L8
10	10	15.5	19.2	6.6	7.5
12	12	17.5	21.6	5.6	6.5
14	14	20.5	24.6	5.6	6.5
15	15	20.5	24.6	6.6	7.5
16	16	22.0	28.0	7.5	8.5
18	18	24.0	30.0	8.0	9.0
20	20	29.5	35.0	7.5	8.5
22	22	29.5	35.0	7.5	8.5
24	24	32.0	38.0	7.5	8.5
25	25	32.0	38.0	7.5	8.5
26	26	34.0	40.0	8.0	9.0
28	28	36.0	42.0	9.0	10.0
30	30	39.2	45.0	10.5	11.5
32	32	42.2	48.0	10.5	11.5
33	33	44.2	50.0	10.5	12.0
35	35	46.2	52.0	11.0	12.0
38	38	49.2	55.0	10.3	11.3
40	40	52.2	58.0	10.8	11.8
42	42	53.3	62.0	12.0	13.2
43	43	53.3	62.0	12.0	13.2
45	45	55.3	64.0	11.6	12.8
48	48	59.7	68.4	11.6	12.8
50	50	60.8	69.3	11.6	12.8
53	53	63.8	72.3	12.3	13.5
55	55	66.5	75.4	13.3	14.5
58	58	69.5	78.4	13.3	14.5
60	60	71.5	80.4	13.3	14.5
63	63	74.5	83.4	13.3	14.2
65	65	76.5	85.4	13.0	14.2
68	68	82.7	91.5	13.7	14.9
70	70	83.0	92.0	13.0	14.2
75	75	90.2	99.0	14.8	15.2
80	80	95.2	104.0	14.8	16.2
85	85	100.2	109.0	14.8	16.0
90	90	105.2	114.0	14.8	16.0
95	95	111.6	120.3	15.8	17.0
100	100	114.5	123.3	15.8	17.0

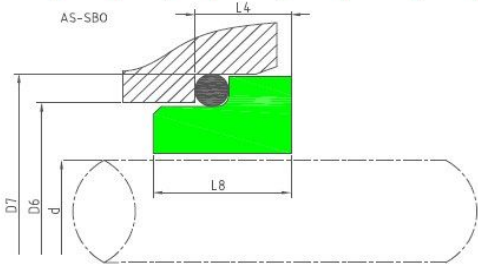
Equivalent to AES S01,Vulcan 8.STD,Burgmann G4 seat

CUSTOMER:	www.asinoseal.com	ASINOSEAL CO.,LTD
P.O. NO.:	Tel:+86-512-58227959	张家港爱斯密封机械有限公司
REF:	Fax:+86-512-58228759	Installation Drawing
DRAWN BY:	STA'D:	TYPE & SIZE:
CHECKED:	No.265 South Chang'An	AS-S04
APPVd:	Rd,Zhangjiagang ,China	
SCALE:	DATE:	PAGE:X/X



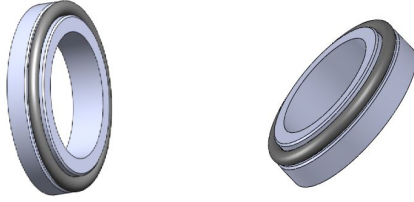
机械密封标准静环系列
Standard stationary ring series

Size/Metric	d	D6	D7	L4	L8
14	14	21	25	12.0	12.8
16	16	23	27	12.0	12.8
18	18	27	33	13.5	14.5
20	20	29	35	13.5	14.5
22	22	31	37	13.5	14.5
24	24	33	39	13.3	14.3
25	25	34	40	13.0	14.0
28	28	37	43	12.5	13.5
30	30	39	45	12.0	13.0
32	32	42	48	12.0	13.0
33	33	42	48	12.0	13.0
35	35	44	50	12.0	13.0
38	38	49	56	13.0	14.0
40	40	51	58	13.0	14.0
43	43	54	61	13.0	14.0
45	45	56	63	13.0	14.0
48	48	59	66	13.0	14.0
50	50	62	70	13.5	14.5
53	53	65	73	13.5	14.5
55	55	67	75	13.5	14.5
58	58	70	78	13.5	14.2
60	60	72	80	13.5	14.2
63	63	75	83	13.5	14.2
65	65	77	85	13.5	14.2
68	68	81	90	13.5	14.2
70	70	83	92	14.5	15.2
75	75	88	97	14.5	15.2
80	80	95	105	15.0	15.7
85	85	100	110	15.0	15.7
90	90	105	115	15.0	15.7
95	95	110	120	15.0	15.7
100	100	115	125	15.0	15.7



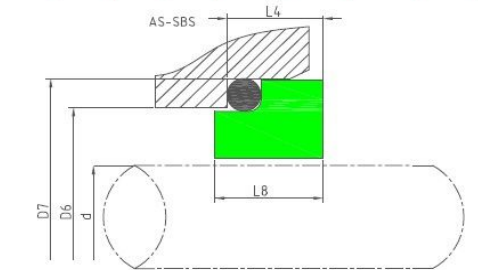
AS-SBO

Equivalent to AES S06,Vulcan 24,DINS,Crane B0 seat,Sterling 522DINS,Flowserve 4S seat



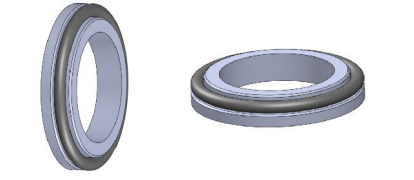
CUSTOMER:	www.asinoseal.com	ASINOSEAL CO.,LTD
P.O. NO.:	Tel:+86-512-58227959	张家港爱斯密封机械有限公司
REF:	Fax:+86-512-58228759	Installation Drawing
DRAWN BY:	STA'D:	TYPE & SIZE:
CHECKED:		AS-SBO
APPVD:		
SCALE:	DATE:	PAGE:X/X

Size/Metric	d	D6	D7	L4	L8
12	12	19	23	6.0	6.8
14	14	21	25	6.0	6.8
16	16	23	27	6.0	6.8
18	18	27	33	6.0	7.0
20	20	29	35	6.0	7.0
22	22	31	37	6.0	7.0
24	24	33	39	6.0	7.0
25	25	34	40	6.0	7.0
28	28	37	43	6.0	7.0
30	30	39	45	7.0	8.0
32	32	42	48	7.0	8.0
33	33	42	48	7.0	8.0
35	35	44	50	8.0	9.0
38	38	49	56	8.0	9.0
40	40	51	58	8.0	9.0
43	43	54	61	8.0	9.0
45	45	56	63	8.0	9.0
48	48	59	66	10.0	11.0
50	50	62	70	10.0	11.0
53	53	65	73	10.0	11.0
55	55	67	75	10.0	11.0
58	58	70	78	10.0	10.7
60	60	72	80	12.0	12.7
63	63	75	83	12.0	12.7
65	65	77	85	12.0	12.7
68	68	81	90	12.0	12.7
70	70	83	92	12.0	12.7
75	75	88	97	12.0	12.7
80	80	95	105	12.5	13.2
85	85	100	110	12.5	13.2
90	90	105	115	12.5	13.2
95	95	110	120	12.5	13.2
100	100	115	125	12.5	13.2



AS-SBS

Equivalent to AES S03,Vulcan 8,DINS,Burgmann G6,Crane BS Sterling SM32DINS,Flowserve 8S seat



CUSTOMER:	www.asinoseal.com	ASINOSEAL CO.,LTD
P.O. NO.:	Tel:+86-512-58227959	张家港爱斯密封机械有限公司
REF:	Fax:+86-512-58228759	Installation Drawing
DRAWN BY:	STA'D:	TYPE & SIZE:
CHECKED:		AS-SBS
APPVD:		
SCALE:	DATE:	PAGE:X/X



机械密封标准静环系列
Standard stationary ring series

Size/Metric	d	D6	D7	L4	L8
10	10	15.5	19.2	7.1	9.0
12	12	17.5	21.6	7.6	10.0
14	14	20.5	24.6	7.6	10.0
15	15	20.5	24.6	8.6	11.0
16	16	22.0	28.0	9.0	11.5
18	18	24.0	30.0	10.0	12.5
20	20	29.5	35.0	9.5	12.5
22	22	29.5	35.0	9.5	12.5
24	24	32.0	38.0	9.5	12.5
25	25	32.0	38.0	9.5	12.5
26	26	34.0	40.0	10.0	13.0
28	28	36.0	42.0	11.0	14.0
30	30	39.2	45.0	11.0	14.0
32	32	42.2	48.0	11.0	14.0
33	33	44.2	50.0	11.5	14.5
35	35	46.2	52.0	11.5	14.5
38	38	49.2	55.0	11.5	14.5
40	40	52.2	58.0	11.5	14.5
42	42	53.3	62.0	14.3	17.0
43	43	54.3	62.0	14.3	17.0
45	45	55.3	64.0	14.3	17.0
48	48	59.7	68.4	14.3	17.0
50	50	60.8	69.3	14.3	17.0
53	53	63.8	72.3	14.3	17.0
55	55	66.5	75.4	15.3	18.0
58	58	69.5	78.4	15.3	18.0
60	60	71.5	80.4	15.3	18.0
63	63	74.5	83.4	15.3	18.0
65	65	76.5	85.4	15.3	18.0
68	68	82.7	91.5	16.0	19.0
70	70	83.0	92.0	15.3	18.0
75	75	90.2	99.0	15.3	18.0
80	80	95.2	104.0	16.3	19.0
85	85	100.2	109.0	16.3	19.0
90	90	105.2	114.0	16.3	19.0
95	95	111.6	120.3	17.3	20.0
100	100	114.5	123.3	17.3	20.0

AS-S13

Equivalent to Burgmann G13 seat

CUSTOMER:	www.asinoseal.com	ASINOSEAL CO.,LTD
P.O. NO. :	Tel:+86-512-58227959	张家港爱斯密封机械有限公司
REF:	Fax:+86-512-58228759	
DRAWN BY:	STA'D:	Installation Drawing
CHECKED:		TYPE & SIZE:
APPVD:		AS-S13
SCALE:	DATE:	PAGE/X/X

Size/Metric	d	D6	D7	L4	L8
10	10	14.0	18.1	5.5	7.0
11	11	16.5	20.6	5.5	7.0
12	12	16.5	20.6	5.5	7.0
13	13	19.0	23.1	6.0	7.5
14	14	19.0	23.1	6.0	7.5
15	15	21.0	26.9	7.0	9.0
16	16	21.0	26.9	7.0	9.0
17	17	21.0	26.9	7.0	9.0
18	18	25.0	30.9	8.0	9.5
19	19	25.0	30.9	8.0	9.5
20	20	25.0	30.9	8.0	9.5
21	21	30.0	35.4	8.0	9.5
22	22	30.0	35.4	8.0	9.5
23	13	30.0	35.4	8.0	9.5
24	24	30.0	35.4	8.0	9.5
25	25	33.0	38.2	8.5	9.5
26	26	33.0	38.2	8.5	9.5
28	28	38.0	43.3	9.0	11.0
29	29	38.0	43.3	9.0	11.0
30	30	38.0	43.3	9.0	11.0
32	32	38.0	43.3	9.0	11.0
33	33	45.0	53.5	11.5	13.0
34	34	45.0	53.5	11.5	13.0
35	35	45.0	53.5	11.5	13.0
36	36	45.0	53.5	11.5	13.0
38	38	52.0	60.5	11.5	13.0
40	40	52.0	60.5	11.5	13.0
42	42	52.0	60.5	11.5	13.0
43	43	52.0	60.5	11.5	13.0
44	44	57.0	65.5	11.5	13.0
45	45	57.0	65.5	11.5	13.0
48	48	57.0	65.5	11.5	13.0
50	50	64.0	72.5	11.5	13.5
55	55	64.0	72.5	11.5	13.5
60	60	72.0	79.3	11.5	13.5
65	65	77.0	84.5	11.5	13.5
70	70	82.0	89.5	11.5	13.5
75	75	87.0	94.5	11.5	13.5
80	80	92.0	99.5	11.5	13.5
85	85	98.0	105.5	13.5	15.5
90	90	105.0	111.5	13.5	15.5
95	95	110.0	116.5	13.5	15.5
100	100	114.0	119.5	13.5	15.5

AS-S12

Equivalent to Vulcan 12 seat

CUSTOMER:	www.asinoseal.com	ASINOSEAL CO.,LTD
P.O. NO. :	Tel:+86-512-58227959	张家港爱斯密封机械有限公司
REF:	Fax:+86-512-58228759	
DRAWN BY:	STA'D:	Installation Drawing
CHECKED:		TYPE & SIZE:
APPVD:		AS-S12
SCALE:	DATE:	PAGE/X/X



机械密封标准静环系列
Standard stationary ring series

Size/Metric	d	D6	D7	L4	L8
10	10	17	21	7	8.5
12	12	19	23	7	8.5
14	14	21	25	7	8.5
16	16	23	27	7	8.5
18	18	27	33	10	12.0
20	20	29	35	10	12.0
22	22	31	37	10	12.0
24	24	33	39	10	12.0
25	25	34	40	10	12.0
28	28	37	43	10	12.0
30	30	39	45	10	12.0
32	32	42	48	10	11.5
33	33	42	48	10	11.5
35	35	44	50	10	11.5
38	38	49	56	13	15.0
40	40	51	58	13	15.0
43	43	54	61	13	14.5
45	45	56	63	13	14.5
48	48	59	66	13	15.0
50	50	62	70	14	16.0
53	53	65	73	14	16.0
55	55	67	75	14	16.0
58	58	70	78	14	16.0
60	60	72	80	14	16.0
63	63	75	83	14	16.0
65	65	77	85	14	16.0
68	68	81	90	16	18.0
70	70	83	92	16	18.0
75	75	88	97	16	18.0
80	80	95	105	18	20.0
85	85	100	110	18	20.0
90	90	105	115	18	20.0
95	95	110	120	18	20.0
100	100	115	125	18	20.0

AS-S12D

Equivalent to Vulcan 12DIN

CUSTOMER:	www.asinoseal.com	ASINOSEAL CO.,LTD
P.O. NO. :	Tel:+86-512-58227959	张家港爱斯诺机械密封有限公司
REF:	Fax:+86-512-58228759	
DRAWN BY:	STA'D:	Mail:sales@asinoseal.com
CHECKED:		No.265 South Chang'An Rd,Zhangjiagang ,China
APPVD:		Installation Drawing
SCALE:	DATE:	TYPE & SIZE:
	PAGE:X/X	AS-S12D

Size/Metric	d	Unbal Seal	Bal Seal	Unbal Seal	Bal Seal	D6	D7	L4	L8	E
14	14	30	38	26	34	21	25	12.0	12.8	4
16	16	32	40	28	36	23	27	12.0	12.8	4
18	18	38	42	34	38	27	33	13.5	14.5	4
20	20	40	43	36	40	29	35	13.5	14.5	4
22	22	42	46	38	42	31	37	13.5	14.5	4
24	24	43	48	40	44	33	39	13.5	14.5	4
25	25	46	50	41	46	34	40	13.0	14.0	4
28	28	48	53	44	49	37	43	12.5	13.5	4
30	30	50	60	46	51	39	45	12.0	13.0	4
32	32	53	62	48	58	42	48	12.0	13.0	4
33	33	53	62	49	58	42	48	12.0	13.0	4
35	35	60	65	51	60	44	50	12.0	13.0	4
38	38	62	67	58	63	49	56	13.0	14.0	6
40	40	65	70	60	65	51	58	13.0	14.0	6
43	43	67	72	63	68	54	61	13.0	14.0	6
45	45	70	75	65	70	56	63	13.0	14.0	6
48	48	72	77	68	73	59	66	13.0	14.0	6
50	50	75	86	70	75	62	70	13.5	14.5	6
53	53	77	88	73	83	65	73	13.5	14.5	6
55	55	86	91	75	85	67	75	13.5	14.5	6
58	58	88	93	83	88	70	78	13.5	14.2	6
60	60	91	96	85	90	72	80	13.5	14.2	6
63	63	93	98	88	93	75	83	13.5	14.2	6
65	65	96	103	90	95	77	85	13.5	14.2	6
68	68	98	-	93	-	81	90	13.5	14.2	6
70	70	103	108	95	104	83	92	14.5	15.2	6
75	75	108	120	104	109	88	97	14.5	15.2	6
80	80	120	125	109	114	95	105	15.0	15.7	6
85	85	125	130	114	119	100	110	15.0	15.7	6
90	90	130	135	119	124	105	115	15.0	15.7	6
95	95	135	140	124	129	110	120	15.0	15.7	6
100	100	140	145	129	134	115	125	15.0	15.7	6

AS-SBC

Equivalent to Johncrane BC seat

CUSTOMER:	www.asinoseal.com	ASINOSEAL CO.,LTD
P.O. NO. :	Tel:+86-512-58227959	张家港爱斯诺机械密封有限公司
REF:	Fax:+86-512-58228759	
DRAWN BY:	STA'D:	Mail:sales@asinoseal.com
CHECKED:		No.265 South Chang'An Rd,Zhangjiagang ,China
APPVD:		Installation Drawing
SCALE:	DATE:	TYPE & SIZE:
	PAGE:X/X	AS-SBC



机械密封标准静环系列
Standard stationary ring series

Mechanical seal

Size/Metric	d	D6	D7	D8	L4	L8
10	10	17	21	3	10.0	17.5
12	12	19	23	3	10.0	17.5
14	14	21	25	3	10.0	17.5
16	16	23	27	3	10.0	17.5
18	18	27	33	3	11.5	19.5
20	20	29	35	3	11.5	19.5
22	22	31	37	3	11.5	19.5
24	24	33	39	3	11.5	19.5
25	25	34	40	3	11.5	19.5
28	28	37	43	3	11.5	19.5
30	30	39	45	3	11.5	19.5
32	32	42	48	3	11.5	19.5
33	33	42	48	3	11.5	19.5
35	35	44	50	3	11.5	19.5
38	38	49	56	4	14.0	22.0
40	40	51	58	4	14.0	22.0
43	43	54	61	4	14.0	22.0
45	45	56	63	4	14.0	22.0
48	48	69	66	4	14.0	22.0
50	50	62	70	4	15.0	23.0
53	53	65	73	4	15.0	23.0
55	55	67	75	4	15.0	23.0
58	58	70	78	4	15.0	23.0
60	60	72	80	4	15.0	23.0
63	63	75	83	4	15.0	23.0
65	65	77	85	4	15.0	23.0
68	68	81	90	4	18.0	26.0
70	70	83	92	4	18.0	26.0
75	75	88	97	4	18.0	26.0
80	80	95	105	4	18.2	26.2
85	85	100	110	4	18.2	26.2
90	90	105	115	4	18.2	26.2
95	95	110	120	4	17.2	25.2
100	100	115	125	4	17.2	25.2

AS-S09 AS-S92

Equivalent to AES S02 ,Vulcan 8DINL,Burgmann G9/G92,Sterling SM32DINL,Flowserve 8L seat

CUSTOMER:	www.asinoseal.com	ASINOSEAL CO.,LTD
P.O. NO.:	Tel:+86-512-58227959	张家港爱斯耐机械密封有限公司
REF:	Fax:+86-512-58228759	
DRAWN BY:	STA'D:	Installation Drawing
CHECKED:	No.265 South Chang'An	TYPE & SIZE:
APPVD:	Rd.Zhangjiagang ,China	AS-S09&S92
SCALE:	DATE:	PAGE:X/X

Size/Metric	d	D6	D7	D8	L4	L8
18	18	27	33	3	7.0	15.0
20	20	29	35	3	7.0	15.0
22	22	31	37	3	7.0	15.0
24	24	33	39	3	7.0	15.0
25	25	34	40	3	7.0	15.0
28	28	37	43	3	7.0	15.0
30	30	39	45	3	7.0	15.0
32	32	42	48	3	7.0	15.0
33	33	42	48	3	7.0	15.0
35	35	44	50	3	7.0	15.0
38	38	49	56	4	7.0	16.0
40	40	51	58	4	8.0	16.0
43	43	54	61	4	8.0	16.0
45	45	56	63	4	8.0	16.0
48	48	59	66	4	8.0	16.0
50	50	62	70	4	9.5	17.0
53	53	65	73	4	9.5	17.0
55	55	67	75	4	9.5	17.0
58	58	70	78	4	10.5	18.0
60	60	72	80	4	10.5	18.0
63	63	75	83	4	10.5	18.0
65	65	77	85	4	10.5	18.0
68	68	81	90	4	11.0	18.5
70	70	83	92	4	11.5	19.0
75	75	88	97	4	11.5	19.0
80	80	95	105	4	11.5	19.0
85	85	100	110	4	11.5	19.0
90	90	105	115	4	13.0	20.5
95	95	110	120	4	13.0	20.5
100	100	115	125	4	13.0	20.5

AS-S16

Equivalent to Burgmann G16 seat

CUSTOMER:	www.asinoseal.com	ASINOSEAL CO.,LTD
P.O. NO.:	Tel:+86-512-58227959	张家港爱斯耐机械密封有限公司
REF:	Fax:+86-512-58228759	
DRAWN BY:	STA'D:	Installation Drawing
CHECKED:	No.265 South Chang'An	TYPE & SIZE:
APPVD:	Rd.Zhangjiagang ,China	AS-S16
SCALE:	DATE:	PAGE:X/X



机械密封标准静环系列
Standard stationary ring series

Size/Metric	d	D6	D7	D8	L4	L8
10	10	17	21	3	8.6	15.0
12	12	19	23	3	8.6	15.0
14	14	21	25	3	8.6	15.0
16	16	23	27	3	8.6	15.0
18	18	27	33	3	10.0	17.0
20	20	29	35	3	10.0	17.0
22	22	31	37	3	10.0	17.0
24	24	33	39	3	10.0	17.0
25	25	34	40	3	10.0	17.0
28	28	37	43	3	10.0	17.0
30	30	39	45	3	10.0	17.0
32	32	42	48	3	10.0	17.0
33	33	42	48	3	10.0	17.0
35	35	44	50	3	10.0	17.0
38	38	49	56	4	11.0	18.0
40	40	51	58	4	11.0	18.0
43	43	54	61	4	11.0	18.0
45	45	56	63	4	11.0	18.0
48	48	59	66	4	11.0	18.0
50	50	62	70	4	13.0	20.0
53	53	65	73	4	13.0	20.0
55	55	67	75	4	13.0	20.0
58	58	70	78	4	13.0	20.0
60	60	72	80	4	13.0	20.0
63	63	75	83	4	13.0	20.0
65	65	77	85	4	13.0	20.0
68	68	81	90	4	15.3	22.0
70	70	83	92	4	15.3	22.0
75	75	88	97	4	15.3	22.0
80	80	95	105	4	15.7	22.5
85	85	100	110	4	15.7	22.5
90	90	105	115	4	15.7	22.5
95	95	110	120	4	15.7	22.5
100	100	115	125	4	15.7	22.5

AS-S24L

Equivalent to AES S05 seat, Vulcan 24.DINL, Sterling 522DINL, Flowserve 4L

CUSTOMER:	www.asinoseal.com	ASINOSEAL CO.,LTD
P.O. NO.:	Tel:+86-512-58227959	张家港爱斯密封机械有限公司
REF:	Fax:+86-512-58228759	Installation Drawing
DRAWN BY:	STA'D:	TYPE & SIZE:
CHECKED:	No.265 South Chang An Rd,Zhangjiagang ,China	AS-S24L
APPVD:	SCALE:	
DATE:	PAGE:X/X	

Size/Metric	d	D4		D6	D7	L4	L8	E		
		Unbal Seal	Bal Seal							
14	14	30	38	26	34	21	25	12.0	18.5	4
16	16	32	40	28	36	23	27	12.0	18.5	4
18	18	38	42	34	38	27	33	13.5	20.5	4
20	20	40	43	36	40	29	35	13.5	20.5	4
22	22	42	46	38	42	31	37	13.5	20.5	4
24	24	43	48	40	44	33	39	13.5	20.5	4
25	25	46	50	41	46	34	40	13.0	20.0	4
28	28	48	53	44	49	37	43	12.5	19.5	4
30	30	50	60	46	51	39	45	12.0	19.0	4
32	32	53	62	48	58	42	48	12.0	19.0	4
33	33	53	62	49	58	42	48	12.0	19.0	4
35	35	60	65	51	60	44	50	12.0	19.0	4
38	38	62	67	58	63	49	56	13.0	20.0	6
40	40	65	70	60	65	51	58	13.0	20.0	6
43	43	67	72	63	68	54	61	13.0	20.0	6
45	45	70	75	65	70	56	63	13.0	20.0	6
48	48	72	77	68	73	59	66	13.0	20.0	6
50	50	75	86	70	75	62	70	13.5	20.5	6
53	53	77	88	73	83	65	73	13.5	20.5	6
55	55	86	91	75	85	67	75	13.5	20.5	6
58	58	88	93	83	88	70	78	13.5	20.5	6
60	60	91	96	85	90	72	80	13.5	20.5	6
63	63	93	98	88	93	75	83	13.5	20.5	6
65	65	96	103	90	95	77	85	13.5	20.5	6
68	68	98	-	93	-	81	90	13.5	20.5	6
70	70	103	108	95	104	83	92	14.5	21.5	6
75	75	108	120	104	109	88	97	14.5	21.5	6
80	80	120	125	109	114	95	105	15.0	22.0	6
85	85	125	130	114	119	100	110	15.0	22.0	6
90	90	130	135	119	124	105	115	15.0	22.0	6
95	95	135	140	124	129	110	120	15.0	22.0	6
100	100	140	145	129	134	115	125	15.0	22.0	6

AS-SBD

Unbalanced seal Balanced seal

Equivalent to AES S010 seat, Johncrane BD seat

CUSTOMER:	www.asinoseal.com	ASINOSEAL CO.,LTD
P.O. NO.:	Tel:+86-512-58227959	张家港爱斯密封机械有限公司
REF:	Fax:+86-512-58228759	Installation Drawing
DRAWN BY:	STA'D:	TYPE & SIZE:
CHECKED:	No.265 South Chang An Rd,Zhangjiagang ,China	AS-SBD
APPVD:	SCALE:	
DATE:	PAGE:X/X	



机械密封标准静环系列
Standard stationary ring series

Size/Inch	d	D6	D7	L4
0.500	12.7	14.0	25.60	7.92
0.625	15.8	17.5	31.95	10.31
0.750	19.0	21.0	35.12	10.31
0.875	22.2	24.0	38.30	10.31
1.000	25.4	27.5	41.48	11.10
1.125	28.5	30.5	44.65	11.10
1.250	31.7	33.5	47.83	11.10
1.375	34.9	37.0	51.00	11.10
1.500	38.1	40.0	54.18	11.10
1.625	41.2	43.5	60.53	12.70
1.750	44.4	46.5	63.70	12.70
1.875	47.6	49.5	66.88	12.70
2.000	50.8	53.0	70.05	12.70
2.125	53.9	56.0	76.40	14.27
2.250	57.1	59.0	79.58	14.27
2.375	60.3	62.5	82.75	14.27
2.500	63.5	65.5	85.93	14.27
2.625	66.6	68.5	85.93	15.88
2.750	69.8	72.0	89.10	15.88
2.875	73.0	75.0	95.45	15.88
3.000	76.2	78.5	98.63	15.88
3.125	79.3	81.5	101.80	19.84
3.250	82.5	84.5	104.98	19.84
3.375	85.7	88.0	108.15	19.84
3.500	88.9	91.0	111.33	19.84
3.625	92.0	94.0	114.50	19.84
3.750	95.2	97.5	117.68	19.84
3.875	98.4	100.5	120.85	19.84
4.000	101.6	103.5	124.03	19.84

CUSTOMER:	www.asinoseal.com	ASINOSEAL CO.,LTD
P.O. NO.:	Tel:+86-512-58227959	张家港爱斯派机械密封有限公司
REF:	Fax:+86-512-58228759	Installation Drawing
DRAWN BY:	STA'D:	TYPE & SIZE:
CHECKED:	Mail:sales@asinoseal.com	AS-SPG
APPVD:	No.265 South Chang'An Rd,Zhangjiagang ,China	
SCALE:	DATE:	PAGE:X/X

Size/Inch	d	D6	D7	L4	L8
0.375	9.5	11.00	22.23	7.92	-
0.500	12.7	13.50	25.40	7.92	-
0.625	15.8	17.00	31.75	10.31	2.0
0.750	19.0	20.00	34.93	10.31	2.0
0.875	22.2	23.00	38.10	10.31	2.0
1.000	25.4	26.50	41.28	11.10	2.0
1.125	28.5	29.50	44.45	11.10	2.5
1.250	31.7	32.50	47.63	11.10	2.5
1.375	34.9	36.50	50.80	11.10	2.5
1.500	38.1	39.50	53.98	11.10	2.5
1.625	41.2	42.50	60.33	12.70	2.5
1.750	44.4	46.00	63.50	12.70	2.5
1.875	47.6	49.00	66.68	12.70	2.5
2.000	50.8	52.00	69.85	12.70	3.0
2.125	53.9	55.50	76.20	14.30	3.0
2.250	57.1	58.50	79.38	14.30	3.0
2.375	60.3	61.50	82.55	14.30	3.0
2.500	63.5	65.00	85.73	14.30	3.0
2.625	66.6	68.00	85.73	15.90	3.0
2.750	69.8	71.00	88.90	15.90	3.0
2.875	73.0	74.50	95.25	15.90	3.0
3.000	76.2	77.50	98.43	15.90	3.0
3.125	79.3	80.50	101.60	19.89	4.0
3.250	82.5	84.00	104.78	19.89	4.0
3.375	85.7	87.00	107.95	19.89	4.0
3.500	88.9	90.50	111.13	19.89	4.0
3.625	92.0	93.50	114.30	19.89	4.0
3.750	95.2	96.50	117.48	19.89	4.0
3.875	98.4	100.00	120.65	19.89	4.0
4.000	101.6	103.00	123.83	19.89	4.0

CUSTOMER:	www.asinoseal.com	ASINOSEAL CO.,LTD
P.O. NO.:	Tel:+86-512-58227959	张家港爱斯派机械密封有限公司
REF:	Fax:+86-512-58228759	Installation Drawing
DRAWN BY:	STA'D:	TYPE & SIZE:
CHECKED:	Mail:sales@asinoseal.com	AS-ORSA
APPVD:	No.265 South Chang'An Rd,Zhangjiagang ,China	
SCALE:	DATE:	PAGE:X/X



机械密封标准静环系列
Standard stationary ring series

	1	2	3	4		5	6	7	8
	Size/Inch	d	D6	D7	L4	L8			
A	0.375	9.5	11.0	24.60	8.7	--			
	0.500	12.7	13.5	27.80	8.7	--			
	0.625	15.8	17.0	30.95	10.3	2.0			
	0.750	19.0	20.0	34.15	10.3	2.0			
	0.813	20.6	21.5	35.70	10.3	2.0			
	0.875	22.2	23.0	37.30	10.3	2.0			
B	1.000	25.4	26.5	40.50	10.3	2.0			
	1.125	28.5	29.5	47.65	11.9	2.5			
	1.250	31.7	32.5	50.80	11.9	2.5			
	1.375	34.9	36.5	54.00	11.9	2.5			
	1.500	38.1	39.5	57.15	11.9	2.5			
	1.625	41.2	42.5	60.35	11.9	2.5			
C	1.750	44.4	46.0	63.50	11.9	2.5			
	1.875	47.6	49.0	66.70	11.9	2.5			
	2.000	50.8	52.0	69.85	13.5	3.0			
	2.125	53.9	55.5	73.05	13.5	3.0			
	2.250	57.1	58.5	76.20	13.5	3.0			
D	2.375	60.3	61.5	79.40	13.5	3.0			
	2.500	63.5	65.0	82.55	13.5	3.0			
	2.625	66.6	68.0	85.70	15.9	3.0			
	2.750	69.8	71.0	88.85	15.9	3.0			
	2.875	73.0	74.5	92.00	15.9	3.0			
	3.000	76.2	77.5	95.15	15.9	3.0			
E	3.125	79.3	80.5	98.30	19.9	4.0			
	3.250	82.5	84.0	101.45	19.9	4.0			
	3.375	85.7	87.0	104.60	19.9	4.0			
	3.500	88.9	90.5	107.75	19.9	4.0			
	3.625	92.0	93.5	110.90	19.9	4.0			
	3.750	95.2	96.5	114.05	19.9	4.0			
	3.875	98.4	100.0	117.20	19.9	4.0			
F	4.000	101.6	103.0	120.35	19.9	4.0			

AS-ORSE

Equivalent to AES S07/S070, Vulcan 31, Crane W type, Roten W, Flowserve 1H

CUSTOMER:	www.asinoseal.com	ASINOSEAL CO.,LTD 张家港爱斯新密封机械有限公司
P.O. NO.:	Tel:+86-512-58227959	
REF:	Fax:+86-512-58228759	Installation Drawing
DRAWN BY:	STA'D: Mail:sales@asinoseal.com	
CHECKED:	No.265 South Chang'An Rd,Zhangjiagang,China	TYPE & SIZE:
APPVD:	DATE:	AS-ORSE
SCALE:	PAGE:X/X	

	1	2	3	4		5	6	7	8
	Size/Metric	d	D6	D7	L4				
A	10	10	17	21	6.6				
	12	12	19	23	6.6				
	14	14	21	25	6.6				
	16	16	23	27	6.6				
	18	18	27	33	7.5				
	20	20	29	35	7.5				
	22	22	31	37	7.5				
B	24	24	33	39	7.5				
	25	25	34	40	7.5				
	28	28	37	43	7.5				
	30	30	39	45	7.5				
	32	32	42	48	7.5				
	33	33	42	48	7.5				
	35	35	44	50	7.5				
C	38	38	49	56	9.0				
	40	40	51	58	9.0				
	43	43	54	61	9.0				
	45	45	56	63	9.0				
	48	48	59	66	9.0				
	50	50	62	70	9.5				
D	53	53	65	73	11.0				
	55	55	67	75	11.0				
	58	58	70	78	11.0				
	60	60	72	80	11.0				
	63	63	75	83	11.0				
	65	65	77	85	11.0				
E	68	68	81	90	11.3				
	70	70	83	92	11.3				
	75	75	88	97	11.3				
	80	80	95	105	12.0				
	85	85	100	110	14.0				
	90	90	105	115	14.0				
	95	95	110	120	14.0				
F	100	100	115	125	14.0				

AS-S60

Equivalent to Burgmann G60 seat

CUSTOMER:	www.asinoseal.com	ASINOSEAL CO.,LTD 张家港爱斯新密封机械有限公司
P.O. NO.:	Tel:+86-512-58227959	
REF:	Fax:+86-512-58228759	Installation Drawing
DRAWN BY:	STA'D: Mail:sales@asinoseal.com	
CHECKED:	No.265 South Chang'An Rd,Zhangjiagang,China	TYPE & SIZE:
APPVD:	DATE:	AS-S60
SCALE:	PAGE:X/X	



机械密封标准静环系列
Standard stationary ring series

1					2				3				4			
Size Metric	d	D6	D7	L4	Size Inch	d	D7	L4	Size Metric	d	D7	L4	Size Metric	d	D7	L4
10	10	11.0	24.60	9.0	0.375	9.5	24.60	8.7	0.375	9.5	24.60	8.7	0.375	9.5	24.60	8.7
12	12	13.5	27.80	9.0	0.500	12.7	27.80	8.7	0.500	12.7	27.80	8.7	0.500	12.7	27.80	8.7
14	14	17.0	30.95	10.5	0.625	15.8	30.95	10.3	0.625	15.8	30.95	10.3	0.625	15.8	30.95	10.3
15	15	17.0	30.95	10.5	0.750	19.0	34.15	10.3	0.750	19.0	34.15	10.3	0.750	19.0	34.15	10.3
16	16	17.0	30.95	10.5	0.813	20.6	35.70	10.3	0.813	20.6	35.70	10.3	0.813	20.6	35.70	10.3
18	18	20.0	34.15	10.5	0.875	22.2	37.30	10.3	0.875	22.2	37.30	10.3	0.875	22.2	37.30	10.3
19	19	20.0	34.15	10.5	1.000	25.4	40.50	10.3	1.000	25.4	40.50	10.3	1.000	25.4	40.50	10.3
20	20	21.5	35.70	10.5	1.125	28.5	47.65	11.9	1.125	28.5	47.65	11.9	1.125	28.5	47.65	11.9
22	22	23.0	37.30	10.5	1.250	31.7	50.80	11.9	1.250	31.7	50.80	11.9	1.250	31.7	50.80	11.9
24	24	26.5	40.50	10.5	1.375	34.9	54.00	11.9	1.375	34.9	54.00	11.9	1.375	34.9	54.00	11.9
25	25	26.5	40.50	10.5	1.500	38.1	57.15	11.9	1.500	38.1	57.15	11.9	1.500	38.1	57.15	11.9
28	28	29.5	47.65	12.0	1.625	41.2	60.35	11.9	1.625	41.2	60.35	11.9	1.625	41.2	60.35	11.9
30	30	32.5	50.80	12.0	1.750	44.4	63.50	11.9	1.750	44.4	63.50	11.9	1.750	44.4	63.50	11.9
32	32	32.5	50.80	12.0	1.875	47.6	66.70	11.9	1.875	47.6	66.70	11.9	1.875	47.6	66.70	11.9
33	33	36.5	54.00	12.0	2.000	50.8	69.85	13.5	2.000	50.8	69.85	13.5	2.000	50.8	69.85	13.5
35	35	36.5	54.00	12.0	2.125	53.9	73.05	13.5	2.125	53.9	73.05	13.5	2.125	53.9	73.05	13.5
38	38	39.5	57.15	12.0	2.250	57.1	76.20	13.5	2.250	57.1	76.20	13.5	2.250	57.1	76.20	13.5
40	40	42.5	60.35	12.0	2.375	60.3	79.40	13.5	2.375	60.3	79.40	13.5	2.375	60.3	79.40	13.5
42	42	46.0	63.50	12.0	2.500	63.5	82.55	13.5	2.500	63.5	82.55	13.5	2.500	63.5	82.55	13.5
43	43	46.0	63.50	12.0	2.625	66.6	85.75	15.9	2.625	66.6	85.75	15.9	2.625	66.6	85.75	15.9
45	45	46.0	63.50	12.0	2.750	69.8	88.95	15.9	2.750	69.8	88.95	15.9	2.750	69.8	88.95	15.9
48	48	49.0	66.70	12.0	2.875	73.0	92.15	15.9	2.875	73.0	92.15	15.9	2.875	73.0	92.15	15.9
50	50	52.0	69.85	13.5	3.000	76.2	95.30	15.9	3.000	76.2	95.30	15.9	3.000	76.2	95.30	15.9
53	53	55.5	73.05	13.5	3.125	79.3	98.50	20.0	3.125	79.3	98.50	20.0	3.125	79.3	98.50	20.0
55	55	58.5	76.20	13.5	3.250	82.5	101.70	20.0	3.250	82.5	101.70	20.0	3.250	82.5	101.70	20.0
58	58	61.5	79.40	13.5	3.375	85.7	104.90	20.0	3.375	85.7	104.90	20.0	3.375	85.7	104.90	20.0
60	60	61.5	79.40	13.5	3.500	88.9	108.10	20.0	3.500	88.9	108.10	20.0	3.500	88.9	108.10	20.0
65	65	68.0	92.10	16.0	3.625	92.0	111.30	20.0	3.625	92.0	111.30	20.0	3.625	92.0	111.30	20.0
68	68	71.0	95.25	16.0	3.750	95.2	114.50	20.0	3.750	95.2	114.50	20.0	3.750	95.2	114.50	20.0
70	70	71.0	95.25	16.0	3.875	98.4	117.70	20.0	3.875	98.4	117.70	20.0	3.875	98.4	117.70	20.0
75	75	77.5	101.60	16.0	4.000	101.6	120.90	20.0	4.000	101.6	120.90	20.0	4.000	101.6	120.90	20.0
80	80	84.0	114.30	20.0												
85	85	87.0	117.50	20.0												
90	90	93.5	123.85	20.0												
95	95	96.5	127.00	20.0												
100	100	103.0	133.35	20.0												

AS-S20

Equivalent to Vulcan 20(Metric) seat

CUSTOMER:	www.asinoseal.com	ASINOSEAL CO.,LTD
P.O. NO.:	Tel:+86-512-58227959	张家港爱斯密封机械有限公司
REF:	Fax:+86-512-58228759	
DRAWN BY:	STA'D: Mail:sales@asinoseal.com	Installation Drawing
CHECKED:	No.265 South Chang'An Rd,Zhangjiagang ,China	TYPE & SIZE:
APPVD:		AS-S20
SCALE:	DATE:	PAGE:X/X

1					2				3				4			
Size Metric	d	D6	D7	L4	Size Metric	d	D7	L4	Size Metric	d	D7	L4	Size Metric	d	D7	L4
10	10	17	21	8.6	10	10	17	21	8.6	10	10	17	21	8.6	10	10
12	12	19	23	8.6	12	12	19	23	8.6	12	12	19	23	8.6	12	12
14	14	21	25	8.6	14	14	21	25	8.6	14	14	21	25	8.6	14	14
16	16	23	27	8.6	16	16	23	27	8.6	16	16	23	27	8.6	16	16
18	18	27	33	10.0	18	18	27	33	10.0	18	18	27	33	10.0	18	18
20	20	29	35	10.0	20	20	29	35	10.0	20	20	29	35	10.0	20	20
22	22	31	37	10.0	22	22	31	37	10.0	22	22	31	37	10.0	22	22
24	24	33	39	10.0	24	24	33	39	10.0	24	24	33	39	10.0	24	24
25	25	34	40	10.0	25	25	34	40	10.0	25	25	34	40	10.0	25	25
28	28	37	43	10.0	28	28	37	43	10.0	28	28	37	43	10.0	28	28
30	30	39	45	10.0	30	30	39	45	10.0	30	30	39	45	10.0	30	30
32	32	42	48	10.0	32	32	42	48	10.0	32	32	42	48	10.0	32	32
33	33	42	48	10.0	33	33	42	48	10.0	33	33	42	48	10.0	33	33
35	35	44	50	10.0	35	35	44	50	10.0	35	35	44	50	10.0	35	35
38	38	49	56	11.0	38	38	49	56	11.0	38	38	49	56	11.0	38	38
40	40	51	58	11.0	40	40	51	58	11.0	40	40	51	58	11.0	40	40
43	43	54	61	11.0	43	43	54	61	11.0	43	43	54	61	11.0	43	43
45	45	56	63	11.0	45	45	56	63	11.0	45	45	56	63	11.0	45	45
48	48	59	66	11.0	48	48	59	66	11.0	48	48	59	66	11.0	48	48
50	50	62	70	13.0	50	50	62	70	13.0	50	50	62	70	13.0	50	50
53	53	65	73	13.0	53	53	65	73	13.0	53	53	65	73	13.0	53	53
55	55	67	75	13.0	55	55	67	75	13.0	55	55	67	75	13.0	55	55
58	58	70	78	13.0	58	58	70	78	13.0	58	58	70	78	13.0	58	58
60	60	72	80	13.0	60	60	72	80	13.0	60	60	72	80	13.0	60	60
63	63	75	83	13.0	63	63	75	83	13.0	63	63	75	83	13.0	63	63
65	65	77	85	13.0	65	65	77	85	13.0	65	65	77	85	13.0	65	65
68	68	81	90	15.3	68	68	81	90	15.3	68	68	81	90	15.3	68	68
70	70	83	92	15.3	70	70	83	92	15.3	70	70	83	92	15.3	70	70
75	75	88	97	15.3	75	75	88	97	15.3	75	75	88	97	15.3	75	75
80	80	95	105	15.7	80	80	95	105	15.7	80	80	95	105	15.7	80	80
85	85	100	110	15.7	85	85	100	110	15.7	85	85	100	110	15.7	85	85
90	90	105	115	15.7	90	90	105	115	15.7	90	90	105	115	15.7	90	90
95	95	110	120	15.7	95	95	110	120	15.7	95	95	110	120	15.7	95	95
100	100	115	125	15.7	100	100	115	125	15.7	100	100	115	125	15.7	100	100

AS-S24

Equivalent to Vulcan 24 Seat

CUSTOMER:	www.asinoseal.com	ASINOSEAL CO.,LTD
P.O. NO.:	Tel:+86-512-58227959	张家港爱斯密封机械有限公司
REF:	Fax:+86-512-58228759	
DRAWN BY:	STA'D: Mail:sales@asinoseal.com	Installation Drawing
CHECKED:	No.265 South Chang'An Rd,Zhangjiagang ,China	TYPE & SIZE:
APPVD:		AS-S24
SCALE:	DATE:	PAGE:X/X



机械密封标准静环系列
Standard stationary ring series

	1	2	3	4	5	6	7	8
	Size/Inch	d	D6	D7	L4			
A	0.375	9.5	15.88	22.23	7.95			
	0.500	12.7	19.05	25.40	7.95			
	0.625	15.8	23.80	31.75	10.31			
	0.750	19.0	26.97	34.93	10.31			
	0.875	22.2	30.15	38.10	10.31			
	1.000	25.4	33.32	41.28	11.10			
	1.125	28.5	36.50	44.45	11.10			
B	1.250	31.7	39.70	47.63	11.10			
	1.375	34.9	42.85	50.80	11.10			
	1.500	38.1	46.05	53.98	11.10			
	1.625	41.2	50.80	60.33	12.70			
	1.750	44.4	53.97	63.50	12.70			
	1.875	47.6	57.15	66.68	12.70			
	2.000	50.8	60.33	69.85	12.70			
	2.125	53.9	60.33	76.20	14.27			
	2.250	57.1	61.90	79.38	14.27			
	2.375	60.3	65.10	82.55	14.27			
	2.500	63.5	68.25	85.73	14.27			
D	2.625	66.6	71.42	85.73	15.88			
	2.750	69.8	74.60	88.90	15.88			
	2.875	73.0	77.77	95.25	15.88			
	3.000	76.2	80.95	98.43	15.88			
	3.125	79.3	84.12	101.60	19.84			
	3.250	82.5	87.30	104.78	19.84			
	3.375	85.7	90.47	107.95	19.84			
	3.500	88.9	93.65	111.13	19.84			
	3.625	92.0	96.82	114.30	19.84			
	3.750	95.2	100.00	117.48	19.84			
	3.875	98.4	103.17	120.65	19.84			
F	4.000	101.6	106.35	123.83	19.84			

AS-S11

Equivalent to Vulcan 11 seat

CUSTOMER:	www.asinoseal.com	ASINOSEAL CO.LTD
P.O. NO. :	Tel:+86-512-58227959	张家港爱斯诺机械密封有限公司
REF:	Fax:+86-512-58228759	Installation Drawing
DRAWN BY:	STA'D: Mail:sales@asinoseal.com	TYPE & SIZE:
CHECKED:	No.265 South Chang'An Rd,Zhangjiagang ,China	AS-S11
APPVD:	DATE:	PAGE:X/X
SCALE:		

	1	2	3	4	5	6	7	8
	Size/Metric	d	D6	D7	L4			
A	10	10	15	21	5			
	12	12	17	23	6			
	14	14	19	25	6			
	15	15	20	26	6			
	16	16	23	27	6			
	18	18	25	33	6			
	20	20	27	35	6			
	22	22	29	37	6			
B	24	24	31	39	6			
	25	25	32	40	6			
	28	28	35	43	6			
	30	30	37	45	7			
	32	32	40	48	7			
	33	33	40	48	7			
	35	35	42	50	8			
	38	38	47	56	8			
	40	40	49	58	8			
	43	43	52	61	8			
	45	45	54	63	8			
	48	48	57	66	10			
D	50	50	60	70	10			
	53	53	63	73	10			
	55	55	65	75	10			
	58	58	68	78	10			
	60	60	70	80	12			
	63	63	73	83	12			
	65	65	75	85	12			
	68	68	79	90	12			
	70	70	81	92	12			
	75	75	86	97	12			
	80	80	92	105	12.5			
	85	85	97	110	12.5			
	90	90	102	115	12.5			
	95	95	117	120	12.5			
F	100	100	122	125	12.5			

AS-S210

Equivalent to Johncrane 2100 seat

CUSTOMER:	www.asinoseal.com	ASINOSEAL CO.LTD
P.O. NO. :	Tel:+86-512-58227959	张家港爱斯诺机械密封有限公司
REF:	Fax:+86-512-58228759	Installation Drawing
DRAWN BY:	STA'D: Mail:sales@asinoseal.com	TYPE & SIZE:
CHECKED:	No.265 South Chang'An Rd,Zhangjiagang ,China	AS-S210
APPVD:	DATE:	PAGE:X/X
SCALE:		



机械密封标准静环系列
Standard stationary ring series

1	2	3	4	5	6	7	8
Size/Metric	d	D6	D7	L4	L8		
A	14	21	25	12.0	18.5		
	16	23	27	12.0	18.5		
	18	27	33	13.5	20.5		
	20	29	35	13.5	20.5		
	22	31	37	13.5	20.5		
	24	33	39	13.3	20.3		
	25	34	40	13.0	20.0		
B	28	37	43	12.5	19.5		
	30	39	45	12.0	19.0		
	32	42	48	12.0	19.0		
	33	42	48	12.0	19.0		
	35	44	50	12.0	19.0		
C	38	49	56	13.0	20.0		
	40	51	58	13.0	20.0		
	43	54	61	13.0	20.0		
	45	56	63	13.0	20.0		
	48	59	66	13.0	20.0		
	50	62	70	13.5	20.5		
D	53	65	73	13.5	20.5		
	55	67	75	13.5	20.5		
	58	70	78	13.5	20.5		
	60	72	80	13.5	20.5		
	63	75	83	13.5	20.5		
	65	77	85	13.5	20.5		
E	68	81	90	13.5	20.5		
	70	83	92	14.5	21.5		
	75	88	97	14.5	21.5		
	80	95	105	15.0	22.0		
	85	100	110	15.0	22.0		
	90	105	115	15.0	22.0		
F	95	110	120	15.0	22.0		
	100	115	125	15.0	22.0		

AS-SBP

Equivalent to AES S010 seat, Johncrane BP seat

CUSTOMER:	www.asinoseal.com	ASINOSEAL CO.,LTD
P.O. NO. :	Tel:+86-512-58227959	张家港爱斯密封材料有限公司
REF:	Fax:+86-512-58228759	
DRAWN BY:	STA'D:	Installation Drawing
CHECKED:		TYPE & SIZE:
APPVD:		AS-SBP
SCALE:	DATE:	PAGE:X/X

1	2	3	4	5	6	7	8
Size/Inch	d	D6	D7	L4			
A	0.250	6.3	7.1	19.05	7.9		
	0.375	9.5	10.2	22.23	7.9		
	0.500	12.7	13.4	25.40	7.9		
	0.625	15.8	16.6	31.75	10.3		
	0.750	19.0	19.7	34.93	10.3		
	0.875	22.2	22.9	38.10	10.3		
	1.000	25.4	26.1	41.28	11.1		
	1.125	28.5	29.3	44.45	11.1		
	1.250	31.7	32.4	47.63	11.1		
B	1.375	34.9	35.6	50.80	11.1		
	1.500	38.1	38.8	53.98	11.1		
	1.625	41.2	42.4	60.33	12.7		
	1.750	44.4	45.5	63.50	12.7		
	1.875	47.6	48.7	66.68	12.7		
	2.000	50.8	51.9	69.85	12.7		
	2.125	53.9	55.0	76.20	14.3		
	2.250	57.1	58.2	79.38	14.3		
	2.375	60.3	61.4	82.55	14.3		
	2.500	63.5	64.6	85.73	14.3		
	2.625	66.6	67.7	85.73	15.9		
	2.750	69.8	70.9	88.90	15.9		
	2.875	73.0	74.1	95.25	15.9		
	3.000	76.2	77.3	98.43	15.9		
D	3.125	79.3	80.5	101.60	19.8		
	3.250	82.5	83.6	104.78	19.8		
	3.375	85.7	86.8	107.95	19.8		
	3.500	88.9	90.0	111.13	19.8		
	3.625	92.0	93.1	114.30	19.8		
	3.750	95.2	96.3	117.48	19.8		
	3.875	98.4	99.5	120.65	19.8		
	4.000	101.6	102.7	123.83	19.8		
	4.125	104.7	106.3	130.18	19.8		
	4.250	107.9	109.5	133.35	19.8		
	4.375	111.1	112.7	136.53	19.8		
	4.500	114.3	115.9	139.70	19.8		
	4.625	117.4	119.0	142.88	19.8		
	4.750	120.6	122.2	146.05	19.8		
	4.875	123.8	125.4	149.23	19.8		
F	5.000	127.0	128.6	152.40	19.8		

AS-SAG

Equivalent to Johncrane AG seat

CUSTOMER:	www.asinoseal.com	ASINOSEAL CO.,LTD
P.O. NO. :	Tel:+86-512-58227959	张家港爱斯密封材料有限公司
REF:	Fax:+86-512-58228759	
DRAWN BY:	STA'D:	Installation Drawing
CHECKED:		TYPE & SIZE:
APPVD:		AS-SAG
SCALE:	DATE:	PAGE:X/X



机械密封标准静环系列
Standard stationary ring series

1	2	3	4	5	6	7	8				
Size/Metric	D6	D7	L	L5	Size/Inch	d	D6	D7	L4	L5	
A	16	36.51	48	17.4	7.9	0.750	19.0	36.51	48	4.8	8.0
	18	36.51	48	17.4	7.9	0.875	22.2	39.69	51	4.8	8.0
	20	39.69	51	17.4	7.9	1.000	25.4	42.86	54	4.8	8.0
	22	39.69	51	17.4	7.9	1.125	28.5	50.80	65	8.0	11.0
	24	42.86	54	17.4	7.9	1.250	31.7	53.98	68	8.0	11.0
	25	42.86	54	17.4	7.9	1.375	34.9	57.15	71	8.0	11.0
	28	50.80	65	26.9	11.1	1.500	38.1	63.50	78	8.0	11.0
B	30	53.98	68	26.9	11.1	1.625	41.2	66.68	81	8.0	11.0
	32	53.98	68	26.9	11.1	1.750	44.4	69.85	84	8.0	11.0
	33	57.15	71	26.9	11.1	1.875	47.6	73.03	87	8.0	11.0
	35	57.15	71	26.9	11.1	2.000	50.8	79.38	97	9.5	14.3
	38	63.50	78	26.9	11.1	2.125	53.9	82.55	100	9.5	14.3
C	40	66.68	81	26.9	11.1	2.250	57.1	85.73	103	9.5	14.3
	43	69.85	84	26.9	11.1	2.375	60.3	88.90	106	9.5	14.3
	45	69.85	84	26.9	11.1	2.500	63.5	92.08	110	9.5	14.3
	48	79.38	97	9.5	14.3	2.625	66.6	95.25	113	9.5	14.3
	50	79.38	97	9.5	14.3	2.750	69.8	98.43	116	9.5	14.3
	53	82.55	100	9.5	14.3	2.875	73.0	100.01	117	9.5	14.3
D	55	85.73	103	9.5	14.3	3.000	76.2	103.19	121	9.5	14.3
	58	88.90	106	9.5	14.3	3.250	82.5	114.30	132	9.5	14.3
	60	88.90	106	9.5	14.3	3.500	88.9	120.65	138	9.5	14.3
	63	92.08	110	9.5	14.3	3.750	95.2	127.00	144	9.5	14.3
	65	95.25	113	9.5	14.3	4.000	101.6	133.35	151	9.5	14.3
E	68	99.43	116	9.5	14.3						
	70	99.43	116	9.5	14.3						
	75	103.19	121	9.5	14.3						
	80	114.30	132	9.5	14.3						
	85	120.65	138	9.5	14.3						
	90	127.00	144	9.5	14.3						
F	95	127.00	144	9.5	14.3						
	100	133.35	151	9.5	14.3						

AS-Type V

Equivalent to Johncrane V seat

CUSTOMER:	www.asinoseal.com	ASINOSEAL CO.,LTD
P.O. NO.:	Tel:+86-512-58227959	张家港爱斯迪机械密封有限公司
REF:	Fax:+86-512-58228759	
DRAWN BY:	STA'D:	Installation Drawing
CHECKED:		TYPE & SIZE:
APPVD:		AS-SV
SCALE:	DATE:	PAGE:X/X

1	2	3	4	5	6	7	8
Size/Inch	D1	D6	D7				
A	0.750	21.60	34.80	44.45			
	0.875	24.75	37.95	47.65			
	1.000	27.95	41.15	50.80			
	1.125	31.10	44.30	53.95			
	1.187	32.70	45.90	55.55			
	1.250	34.30	47.50	57.15			
	1.375	37.45	50.65	60.30			
B	1.500	40.65	53.80	63.50			
	1.625	43.80	56.95	66.65			
	1.750	47.00	60.10	69.80			
	1.875	50.15	63.25	72.95			
C	2.000	53.35	66.40	76.10			
	2.125	56.50	69.55	79.25			
	2.250	59.70	72.70	82.40			
	2.375	62.85	75.85	85.55			
	2.500	66.00	79.00	88.70			
	2.625	69.20	82.15	91.85			
D	3.000	78.00	93.50	121.00			

AS-S27

Equivalent to Vulcan 27 seat

CUSTOMER:	www.asinoseal.com	ASINOSEAL CO.,LTD
P.O. NO.:	Tel:+86-512-58227959	张家港爱斯迪机械密封有限公司
REF:	Fax:+86-512-58228759	
DRAWN BY:	STA'D:	Installation Drawing
CHECKED:		TYPE & SIZE:
APPVD:		AS-S27
SCALE:	DATE:	PAGE:X/X