

AS-A20M

• 技术参数

密封腔温度: -10℃ ~ 200℃
 线速度: ≤2m/s
 密封腔压力: ≤0.6Mpa

• SUGGESTED OPERATING LIMITS

Temperature: -10℃ ~ 200℃
 Speed: ≤5m/s
 Pressure: ≤1.6Mpa

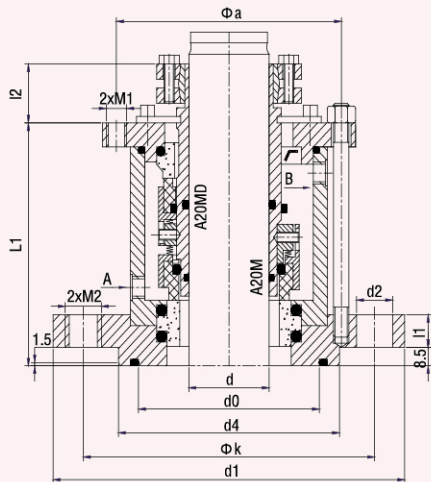
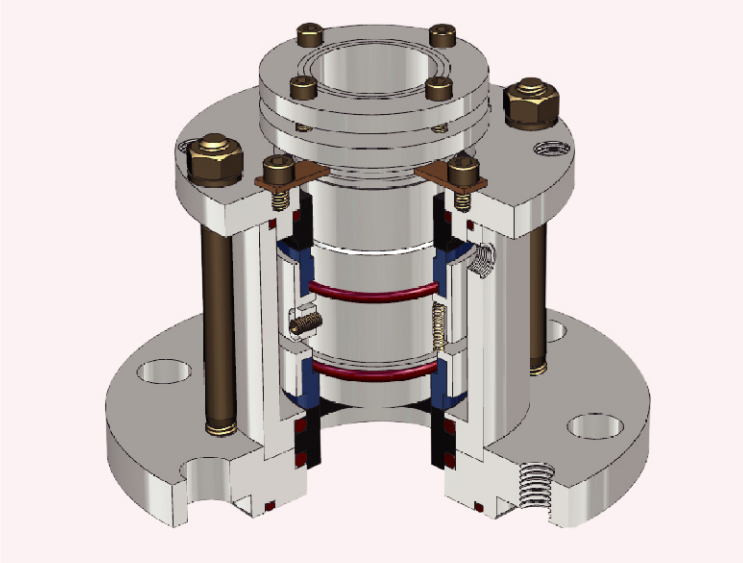
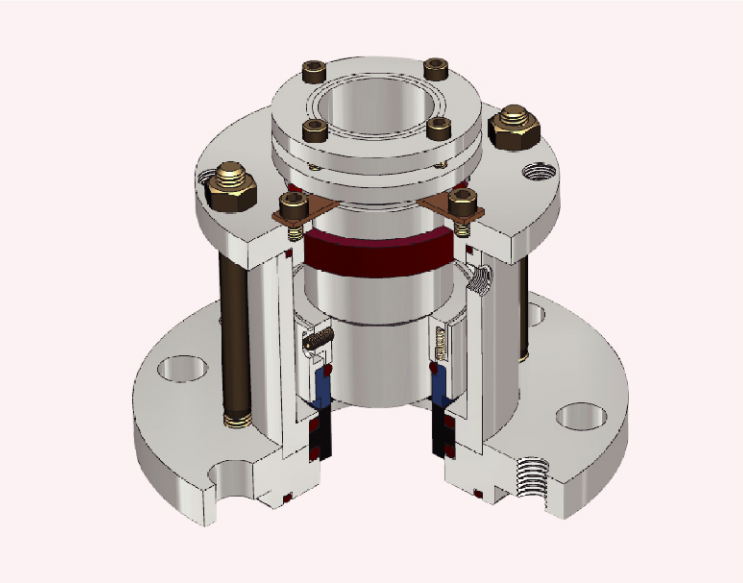
• 材料组合

动环: 石墨/碳化硅/碳化钨
 静环: 碳化硅/碳化钨

• COMBINED MATERIAL

Rotary face: Carbon/SiC/TC
 Stat Ring: SiC/TC

AS-A20M have single and double design ,
 replacement M481K and M481K-D



SIZE/METRIC	d1	nxd2	d4	d0	K	L1	l1	l2	a	M1	M2	A/B
40	175	4x18	110	90	145	110.5	15	28	122	M12	M16	G3/8
50	240	8x18	176	135	210	114.5	17	28	157	M12	M16	G3/8
60	240	8x18	176	135	210	119	17	28	168	M12	M16	G3/8
80	275	8x22	204	155	240	133	20	34	203	M16	M20	G1/2
100	305	8x22	234	190	270	137.5	20	34	228	M16	M20	G1/2
125	330	8x22	260	215	295	138.5	20	40	268	M20	M20	G1/2
140	395	12x22	313	250	350	152.5	20	40	285	M20	M20	G1/2
160	395	12x22	313	265	350	161	25	40	297	M20	M20	G1/2
180	445	12x22	364	310	400	166	25	45	332	M24	M20	G1/2
200	445	12x22	364	310	400	171	25	45	352	M24	M20	G1/2
220	505	16x22	422	340	460		25			M24	M20	G1/2